

ARCHITECTURAL GRATES + DRAINS



100AAi20MTL

Linear Drain

Downloaded 23/11/2022 (please check for updates)

Stormtech is the only linear drainage system available with full Greentag and Watermark certification across our complete product range.

Telephone 1300 653 403 | Web stormtech.com.au





ARCHITECTURAL
GRATES + DRAINS



100AAi20MTL

Linear Drain



The 100AAi20MTL features our unique all Aluminium 100mm Wave grate design.

Made in Australia from high grade, locally sourced and anodised Aluminium.

This Made-to-Length linear drainage system features a 316 marine grade Stainless Steel channel with specified outlet position.

Code 100AAi20MTL

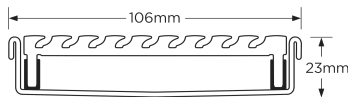
Range 100

Grate Style AA

Category Made-to-Length

Channel Material Stainless Steel

Steel Grade 316

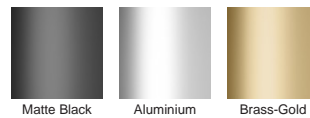


Grates longer than 1500mm supplied in sections.
Tile Inserts longer than 1200mm supplied in sections.
Channels over 3000mm supplied in sections with joiner.
+/-2mm tolerance on dimensions.

SPECIFICATIONS + DIMENSIONS

Channel Width	106mm
Channel Depth	23mm
Length(s)	As Required
Outlet Size	DN40, DN50, DN65, DN80, DN100

STORMTECH COLOUR FINISHES



Electroplate finishes subject to natural variation with time and local environment. Factors such as pools/surf beaches may require electropolishing. Contact us for suitability.

PRODUCT APPLICATIONS

Bathroom Drainage	Hospitality Drainage
Aged / Health Care Drainage	Shower Drainage
Balcony Drainage	Multi-Residential Drainage
Commercial Drainage	Special Needs Drainage
Courtyard / Patio Drainage	Threshold Drainage
Pool and Spa Area Drainage	Suspended Slab Drainage

Copyright © Stormtech Pty Ltd. Patent 733361. Drawings not to scale, please use dimensions shown.
Downloaded 23/11/2022 (please check for updates)



Visit stormtech.com.au
for tools + inspiration.

Phone **1300 653 403**

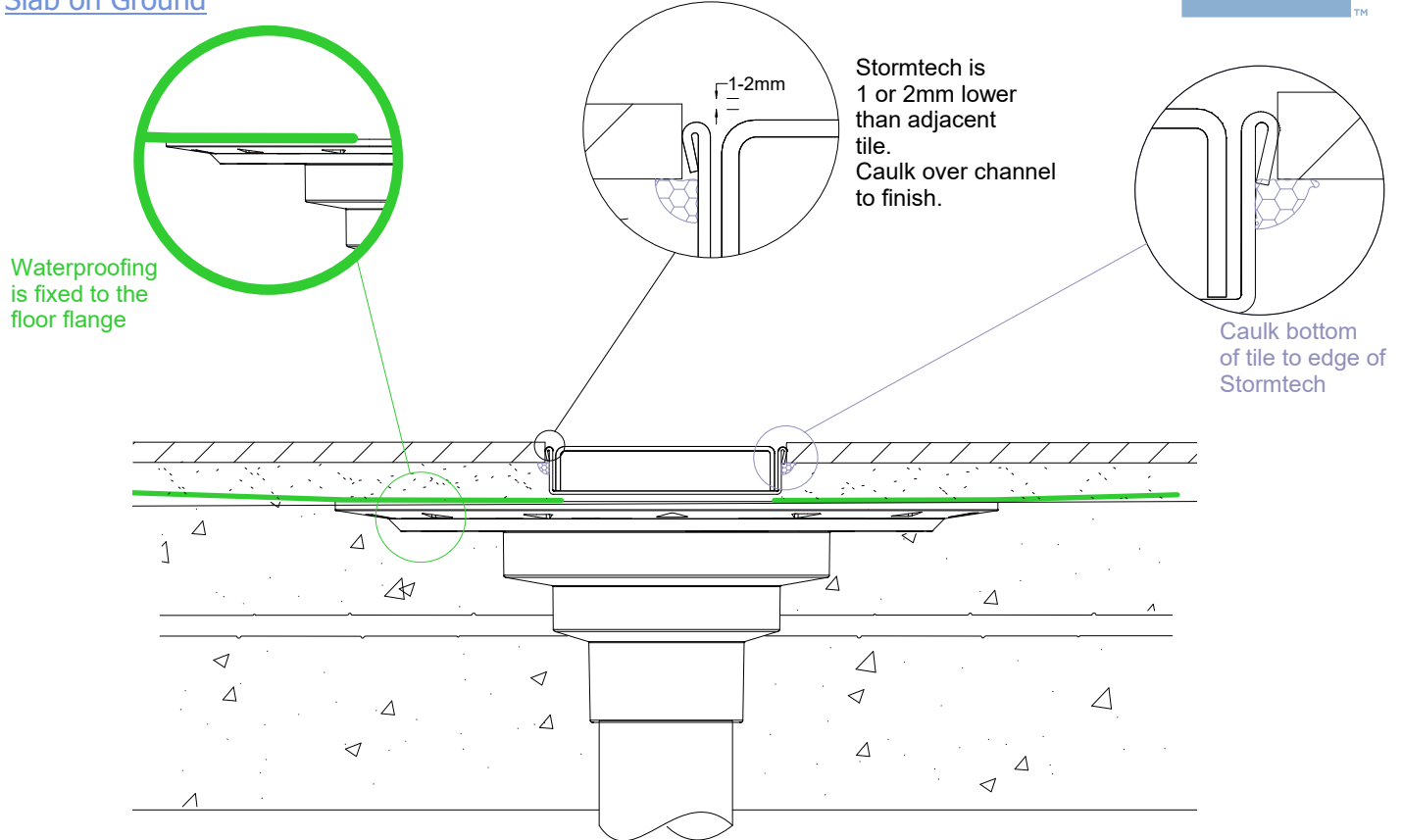
Email info@stormtech.com.au

100i20 MTL & CO Concrete Floor or Deck

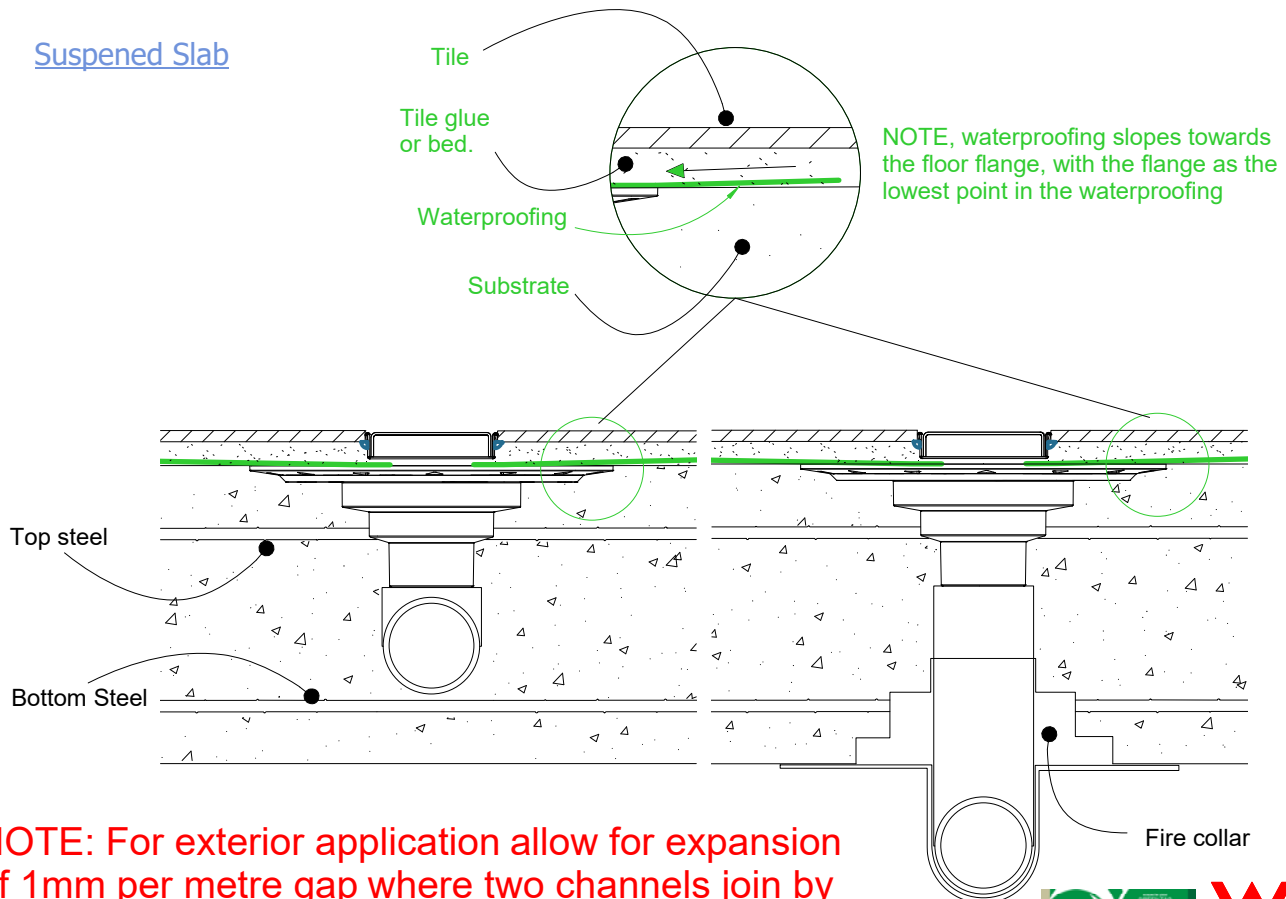
For 100ARi20MTL, 100ARiCO20, 100MNDi20MTL, 100MNDiCO20, 100PSi20MTL, 100PSi20CO, 100TRi20MTL, 100TRiCO20, 100AAi20MTL, 100AAiCO20.



Slab on Ground



Suspended Slab



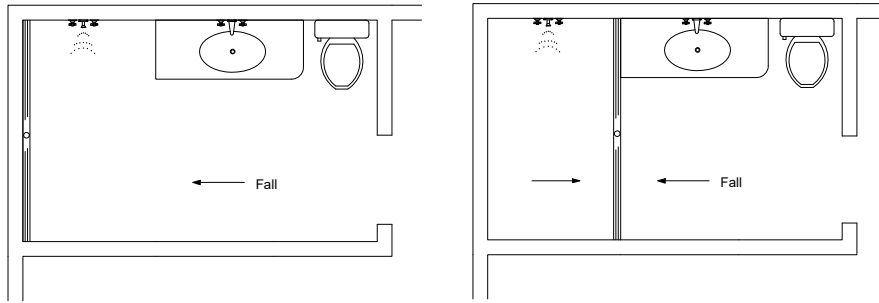
NOTE: For exterior application allow for expansion of 1mm per metre gap where two channels join by using quality suitable flexible sealant on channel joiners.



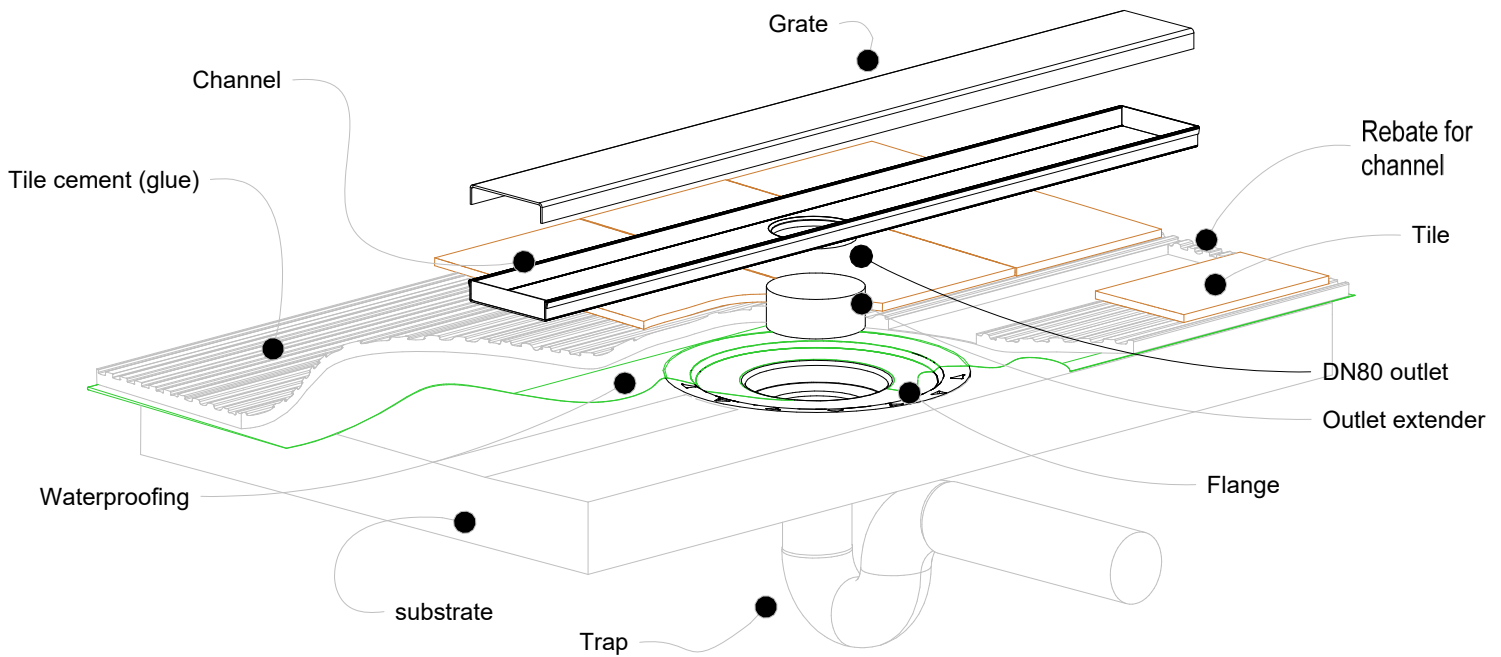
100i20 MTL & CO Bathroom



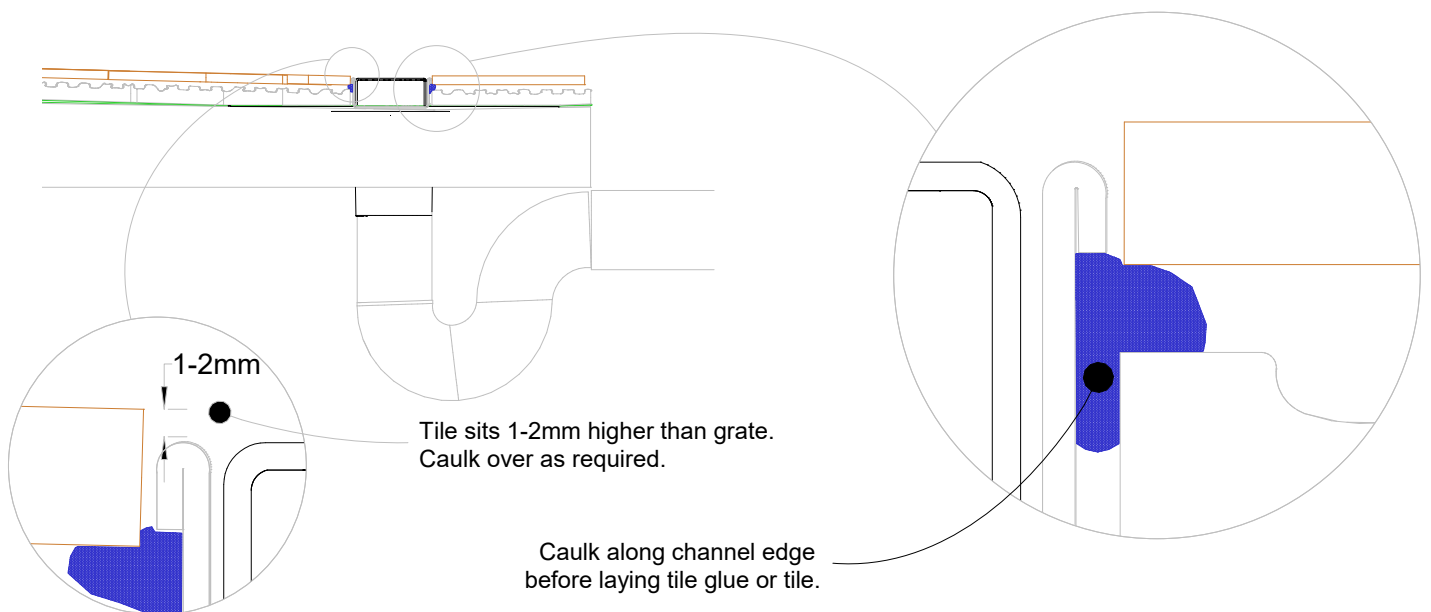
For 100ARi20MTL, 100ARiCO20, 100MNDi20MTL, 100MNDiCO20, 100PSi20MTL, 100PSi20CO, 100TRi20MTL, 100TRiCO20, 100AAi20MTL, 100AAiCO20.



NOTE, refer to AS3500 for specific outlet pipe sizes related to your specific installation.



NOTE, this method requires the channel system to be ABOVE and SEPARATE from the WATERPROOFING.

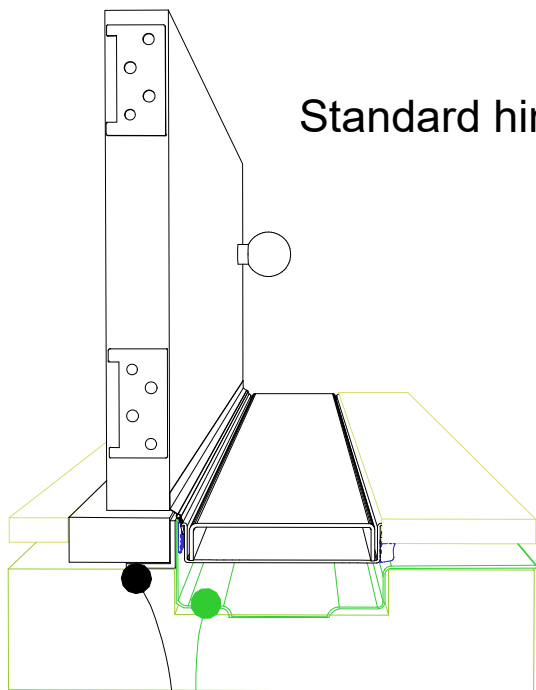


100i20 MTL & CO Threshold installation suggestion

For 100ARi20MTL, 100ARiCO20, 100MNDi20MTL, 100MNDiCO20, 100PSi20MTL, 100PSi20CO, 100TRi20MTL, 100TRiCO20, 100AAi20MTL, 100AAi20CO.



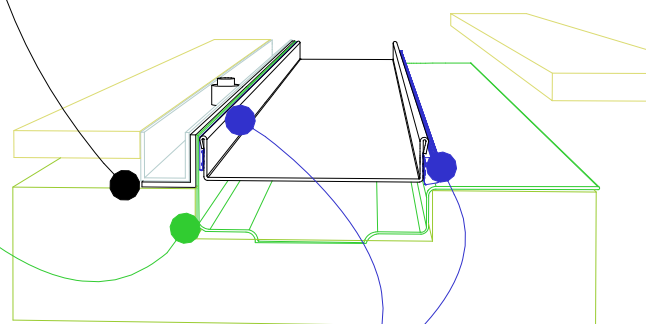
Standard hinged door



Aluminium angle to support waterproofing and junction between channel and door sil.

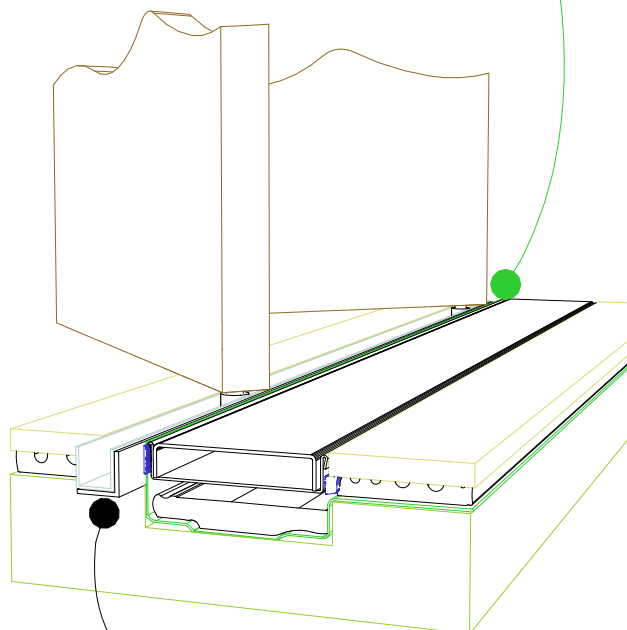
Top hung slider

Aluminium angle to support waterproofing and junction between channel and door track.



Waterproofing

Bi-fold door



Aluminium angle to support waterproofing and junction between channel and door track.

For all types of threshold installation ensure both sides of the channel are sealed before laying tile.

NOTE, ensure weather strip is used on the appropriate side of the door to ensure drafts and moisture are minimised.

NOTE, ALWAYS ensure the waterproofing is completed before laying the Stormtech.

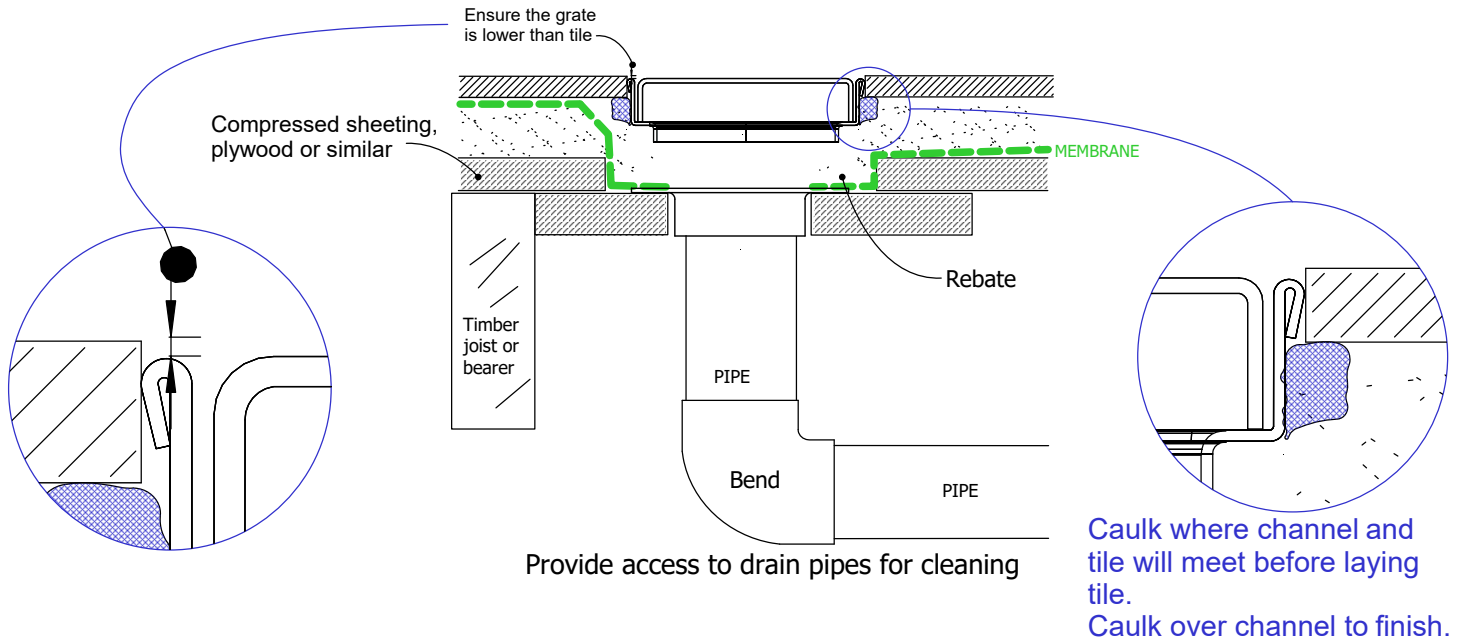


100i20 MTL & CO TIMBER FLOOR/DECK

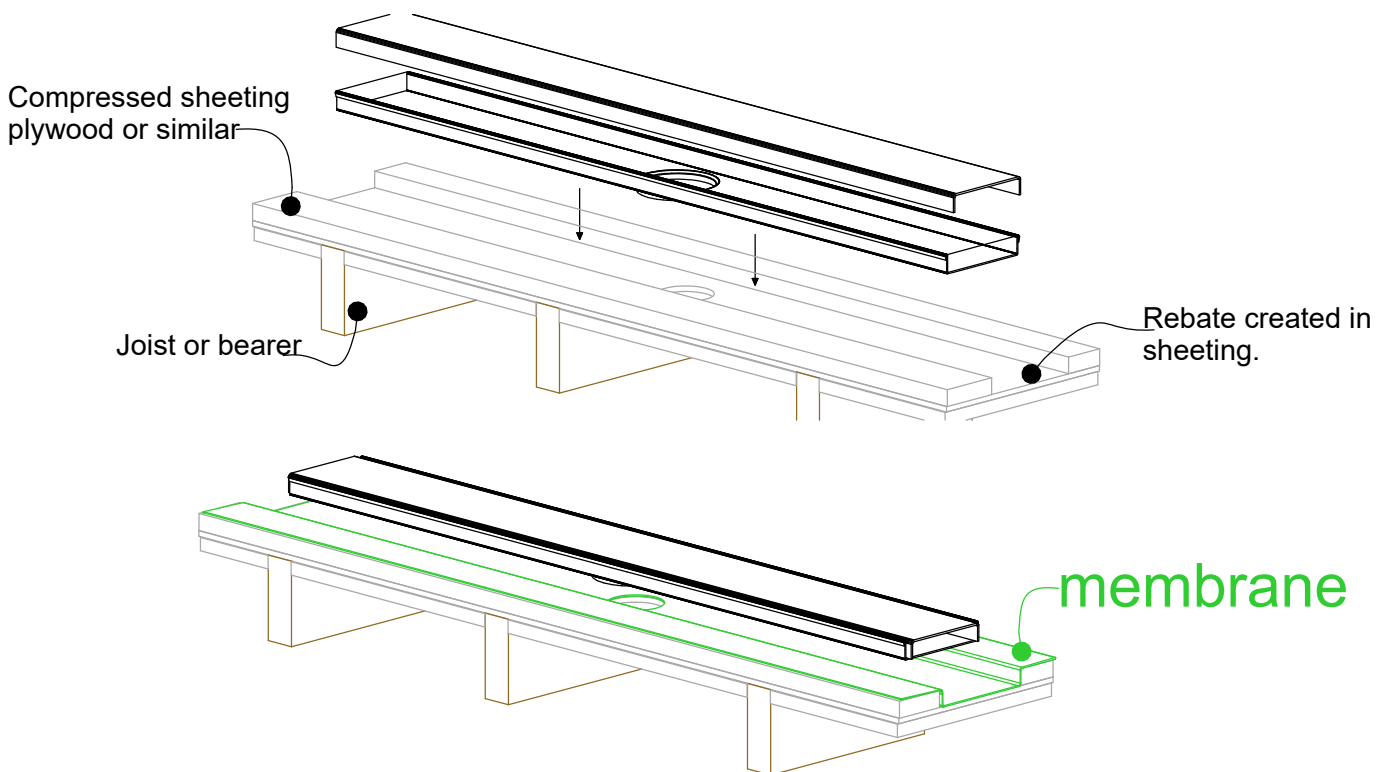
For 100ARi20MTL, 100ARiCO20, 100MNDi20MTL, 100MNDiCO20, 100PSi20MTL, 100PSi20CO, 100TRi20MTL, 100TRiCO20, 100AAi20MTL, 100AAiCO20.



When 100i20 MTL or CO is running parallel to joist/bearer



When 100i20 MTL or CO is running perpendicular to joist/bearer

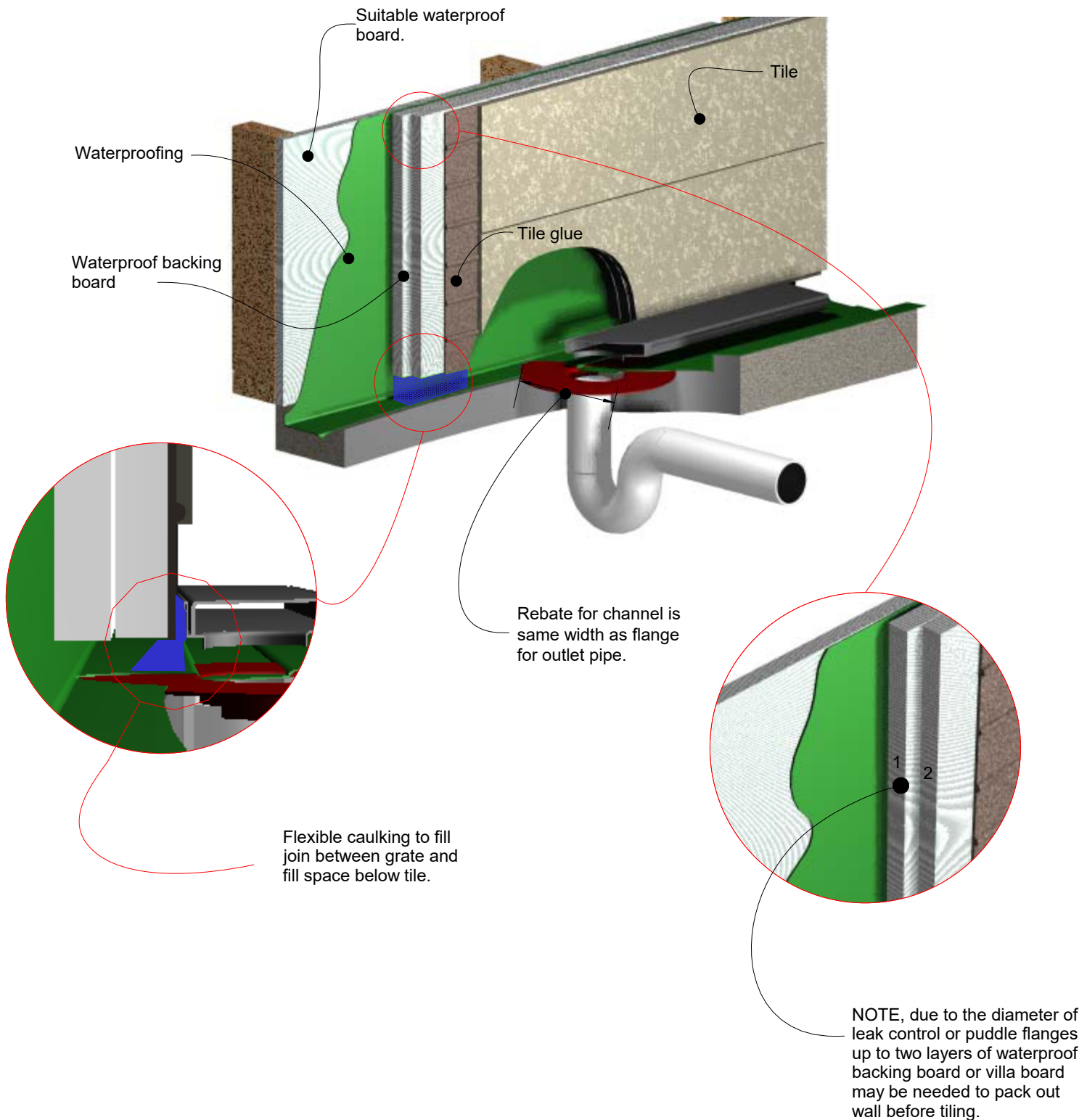


NOTE: For exterior application allow for expansion of 1mm per metre by using quality suitable flexible sealant on channel joins.



100i20 MTL or CO Against Wall

For 100ARi20MTL, 100ARiCO20, 100MNDi20MTL, 100MNDiCO20, 100PSi20MTL, 100PSi20CO, 100TRi20MTL, 100TRiCO20, 100AAi20MTL.



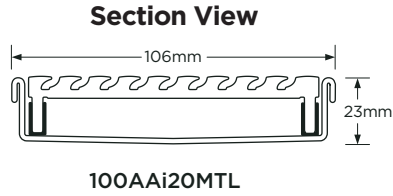


Order Form

Made-to-Length 100mm Linear Drainage

Product Details

Product Code 100AAi20MTL
Grate Style Wave Grate
Stormtech Range 100
Channel Material Stainless Steel
Grate Material Aluminium



Finish / Code

- Standard / Satin** 100AAi20MTL
- Matte Black** 100AAi20MTL-Black
- Brass Gold** 100AAi20MTL-BG

Please note: Only Aluminium grate is finished, channel is stainless steel

Specify Length, Outlet Size and Position

1. Label

mm

Outlet Size

38mm 44mm
 51mm 63mm
 76mm 89mm

mm

Notes

2. Label

mm

Outlet Size

38mm 44mm
 51mm 63mm
 76mm 89mm

mm

Notes

3. Label

mm

Outlet Size

38mm 44mm
 51mm 63mm
 76mm 89mm

mm

Notes

4. Label

mm

Outlet Size

38mm 44mm
 51mm 63mm
 76mm 89mm

mm

Notes

5. Label

mm

Outlet Size

38mm 44mm
 51mm 63mm
 76mm 89mm

mm

Notes

6. Label

mm

Outlet Size

38mm 44mm
 51mm 63mm
 76mm 89mm

mm

Notes

PLEASE NOTE See AS3500 standard & local regulator for specific outlet/drain requirements. Grates longer than 1500mm are supplied in multiple sections. Channels are a maximum 3000mm in one piece, channels over 3000mm are supplied in multiple sections with joiner. +/- 2mm tolerance on dimensions.

Full Name

Company Name

Project Name / Project Stage

Distributor or Contact

Telephone or Email

Order Number

Stormtech Quote Number

Visit stormtech.com.au



StormtechTM

22 Norfolk Avenue, South Nowra, NSW 2541 Australia
Phone 1300 653 403 Email info@stormtech.com.au

