

ARCHITECTURAL GRATES + DRAINS



# 120SCSARiMTL

## Shower Screen Support

Downloaded 24/10/2022 (please check for updates)

Stormtech is the only linear drainage system available with full  
Greentag and Watermark certification across our complete product range.

Telephone 1300 653 403 | Web [stormtech.com.au](http://stormtech.com.au)





ARCHITECTURAL  
GRATES + DRAINS



# 120SCSARiMTL

## Shower Screen Support



The Shower Screen Support Grate & Channel including 120mm wide AR grate, made from 316 Stainless Steel.

This multi-functional system provides support for both wall-hung shower screen and enclosed shower-screen units.

The dual-sided system drains on both sides of the shower screen and is suitable for use as the sole bathroom drain. Wall-to-wall installation allows simple dual fall across the bathroom for easy tiling. Available in Made-to-length drainage units or is fully customisable in width, length and outlet position.

Made from 316 Stainless Steel, the 120SCS is designed for flexibility, and ease of installation and exceeds all Australian Standards, is WaterMark certified and is exclusive to Stormtech protected by Patent Number: 2021904197.

**Code** 120SCSARiMTL

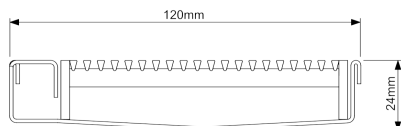
**Range** Shower Screen Support

**Grate Style** AR

**Category** Made-to-Length

**Channel Material** Stainless Steel

**Steel Grade** 316

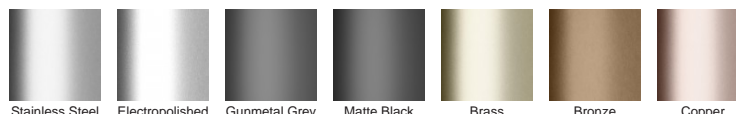


Grates longer than 1500mm supplied in sections.  
Tile Inserts longer than 1200mm supplied in sections.  
Channels over 3000mm supplied in sections with joiner.  
+/-2mm tolerance on dimensions.

### SPECIFICATIONS + DIMENSIONS

<b>Channel Width</b>	120mm
<b>Channel Depth</b>	24mm
<b>Length(s)</b>	As Required
<b>Outlet Size</b>	DN80, DN100

### STORMTECH COLOUR FINISHES



Electroplate finishes subject to natural variation with time and local environment. Factors such as pools/surf beaches may require electropolishing. Contact us for suitability.

### PRODUCT APPLICATIONS

- Bathroom Drainage
- Aged / Health Care Drainage
- Commercial Drainage
- Hospitality Drainage
- Shower Drainage
- Multi-Residential Drainage
- Special Needs Drainage



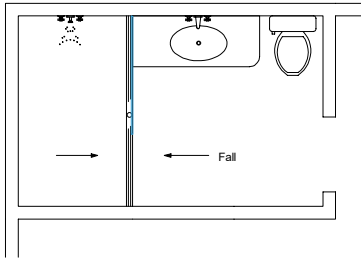
Copyright © Stormtech Pty Ltd. Patent 733361. Drawings not to scale, please use dimensions shown.  
Downloaded 24/10/2022 (please check for updates)

Visit [stormtech.com.au](http://stormtech.com.au)  
for tools + inspiration.

Phone **1300 653 403**

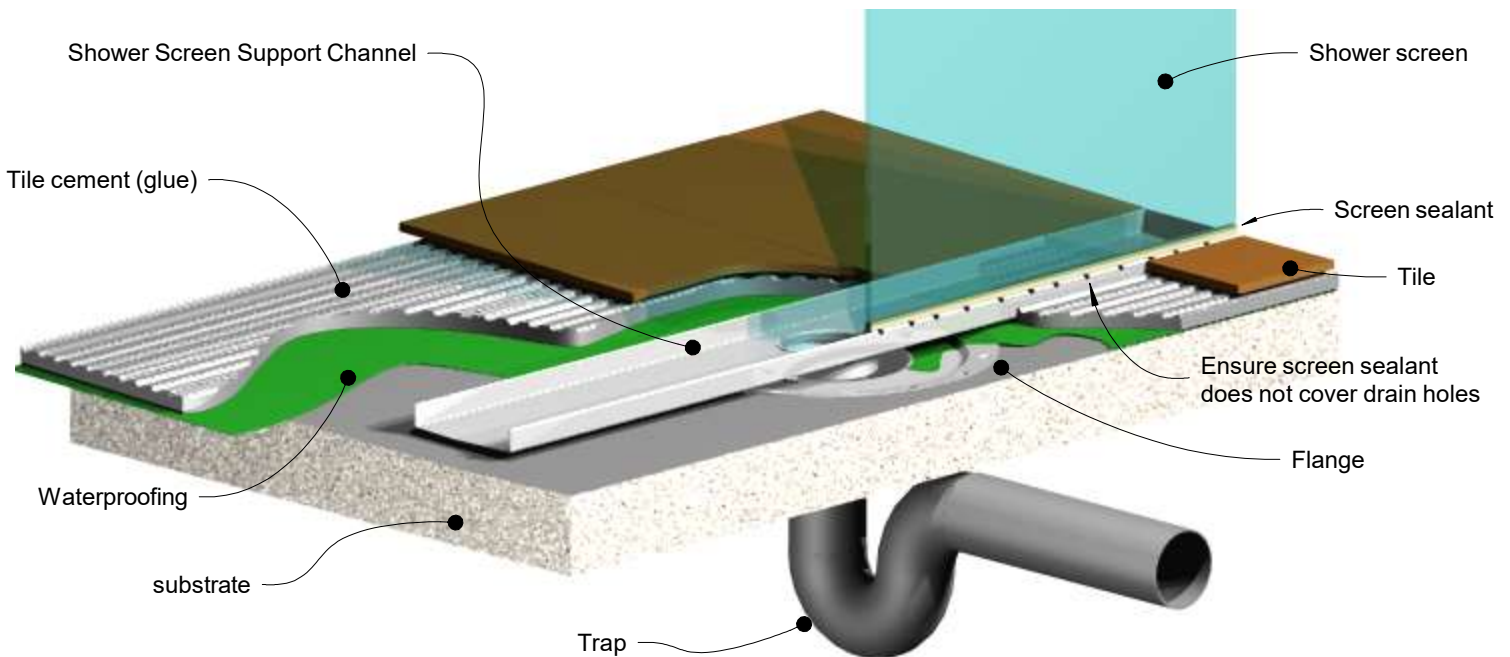
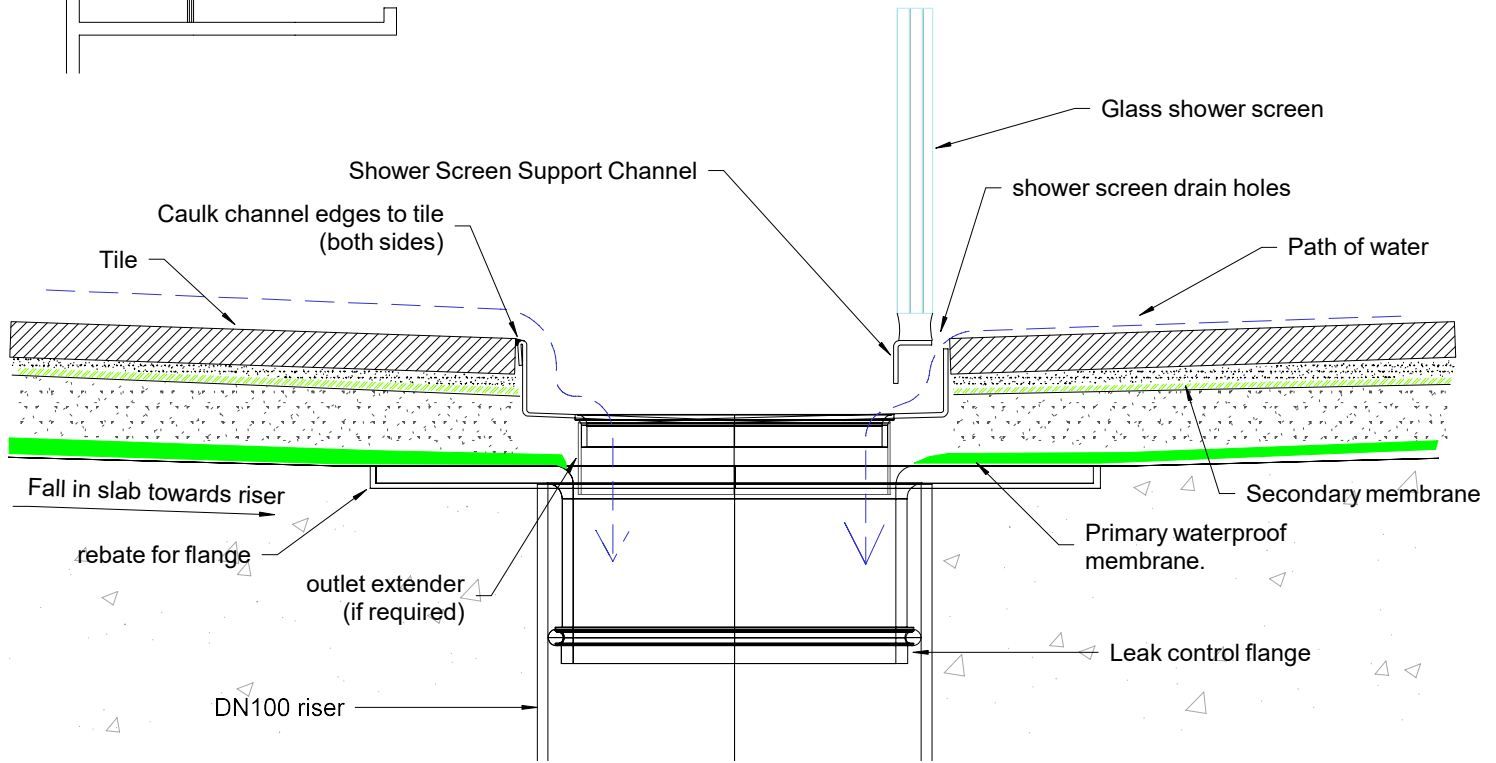
Email [info@stormtech.com.au](mailto:info@stormtech.com.au)

# 120SCS Bathroom



NOTE, refer to AS3500 for specific outlet pipe sizes related to your specific installation.

NOTE, refer to AS3740 for waterproofing requirements related to your specific installation.



NOTE, this method requires the channel system to be ABOVE and SEPARATE from the WATERPROOFING.

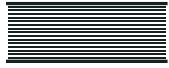
NOTE, No grates or tile inserts are shown for clarity.



# Order and Quote Form

# Made-to-Length Shower Screen Support Grate + Channel

### Select Grate Style



**AR Architectural**  
2mm wire  
2.5mm gap



**TR Standard**  
3mm wire  
5mm gap



**Ti Tile Insert**



**MND Marc Newson**



**PS Punched Slot**

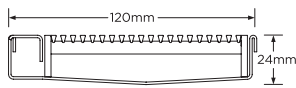


**PPS Punched Perpendicular Slot**

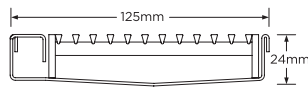


**PAS Punched Angle Slot**

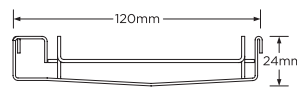
### Grate + Channel Profiles



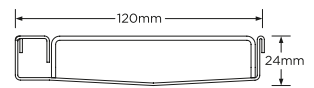
AR



TR



Ti



MND, PS, PPS, PAS

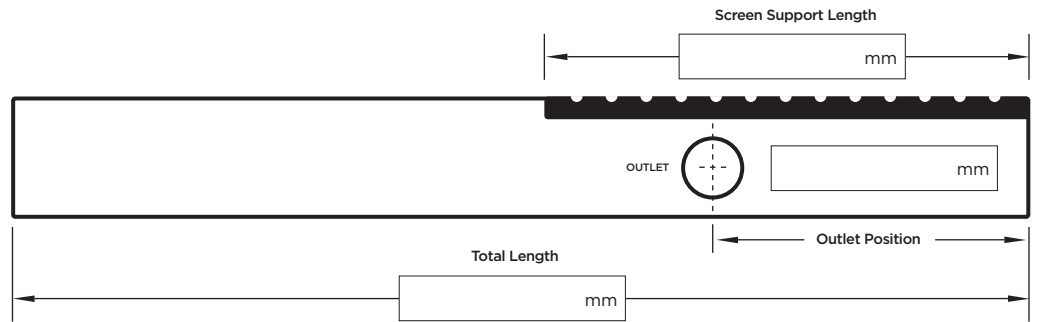
### Shower Screen Position + Dimensions Choose Right OR Left Screen Position to Suit Requirements

#### 1. RIGHT POSITION SHOWER SCREEN

##### Required Outlet Size

76mm\*  89mm

\* Only suitable with DN80 riser

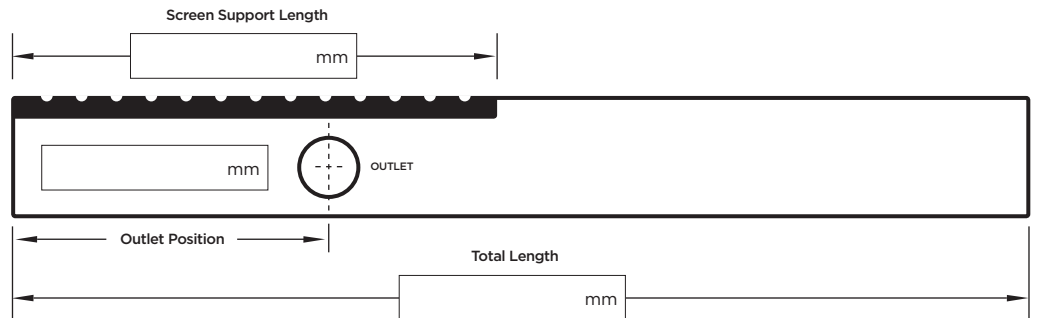


#### 2. LEFT POSITION SHOWER SCREEN

##### Required Outlet Size

76mm\*  89mm

\* Only suitable with DN80 riser



#### Please Note

See AS3500 standard & local regulator for specific outlet and drainage requirements. Stainless Steel Grate is 316 unless specified. Minimum charge of 1000mm. Grates longer than 1500mm and Tile Inserts longer than 1200mm are supplied in multiple sections. Channels 3000mm maximum in one piece, channels over 3000mm are supplied in multiple sections with joiner. +/- 2mm tolerance on dimensions.

#### Full Name

#### Company Name

#### Telephone

#### Email Address

#### Order Number

#### Stormtech Quote Number

#### Signature

Visit [stormtech.com.au](http://stormtech.com.au)



**Stormtech**<sup>TM</sup>

22 Norfolk Avenue, South Nowra, NSW 2541 Australia  
Phone 1300 653 403 Email [info@stormtech.com.au](mailto:info@stormtech.com.au)

