

**ARCH ER**

**Canopies**

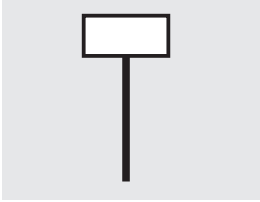
## Rakumba Seamless Ceiling Canopies

Die -cast aluminium steel with a matt powder-coated finish.

Standard canopies must be fastened to a load bearing substrate or crossbeam.

Flush and Recessed canopies must be fastened to secondary load bearing substrate or bracket within ceiling (supplied).

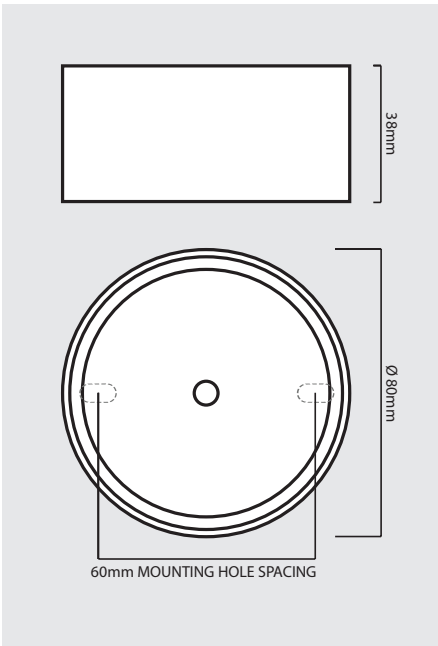
### Flex Suspension Option



### Colour Options

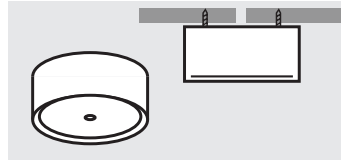


### Dimensions

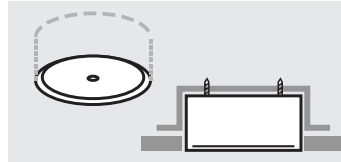


## Models

### Standard



### Flush Trimless



### Recessed Trimless

