

ARCH ER

Highline

Highline 2400
2400mm L x 25mm H
Solid Brass Pendant



Highline

We were building the Sawmill House and wanted something that supported a space that told its own narrative. We wanted a minimal light that encouraged the architecture, already rich with material, to speak, breathe and age gracefully.

Working with local brass millers, glass fabricators and woodworkers, the Highline is available in satin or antique patina brass, with American walnut timber and high quality LED technology. With both up and down lighting, and dimmer compatibility (switchDIM), it allows for both bright task lighting and subtle illumination.

Designed to disappear, the Highline can sit effortlessly in a variety of interior environments and be used in a variety of uses, encouraging the architecture to speak for itself.

Dimensions (1800)

- _ 1800mm L x 25mm solid brass profile
- _ 2000 / 5000mm suspension cable
- _ 900mm fixing centres

Dimensions (2400)

- _ 2400mm L x 25mm solid brass profile
- _ 2000 / 5000mm suspension cable
- _ 1200mm fixing centres

Materials

- _ Satin or Antique patina waxed brass
- _ American Walnut timber detailing
- _ Sand-blasted, fluted diffuser
- _ Fine braided textile flex

Details

- _ 24V German LED strip and driver
- _ Long Life LED up to 50,000 hours
- _ 3000K (warm white) or 4000K (cool white)
- _ 1800mm length has 2800 lm uplighting and 2800 lm downlighting
- _ 2400mm length has 3900 lm uplighting and 3900 lm downlighting

Trade Price

(trade prices exclude GST)

- _ 1800mm Satin \$1,995
- _ 1800mm Patina \$2,245
- _ 1800mm White/Black \$1,695

- _ 2400mm Satin \$2,575
- _ 2400mm Patina \$2,875
- _ 2400mm White/Black \$2,195

Retail Price

(retail prices include GST)

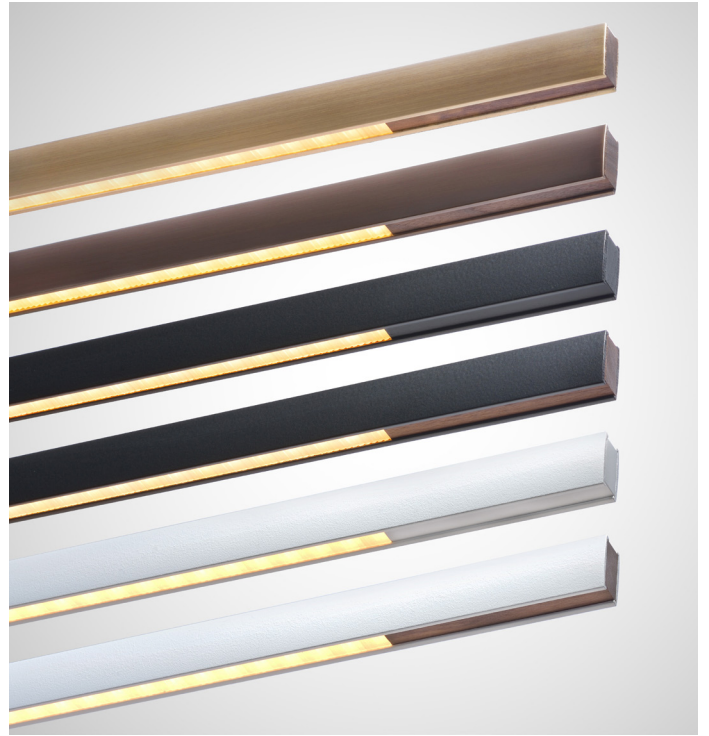
- _ 1800mm Satin \$2,925
- _ 1800mm Patina \$3,295
- _ 1800mm White/Black \$2,485

- _ 2400mm Satin \$3,775
- _ 2400mm Patina \$4,215
- _ 2400mm White/Black \$3,215

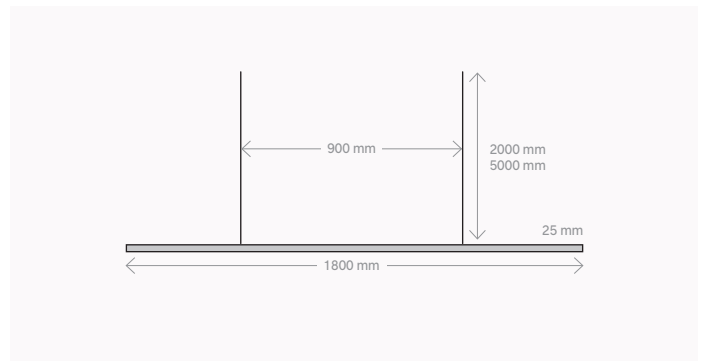
Uplighting and downlighting are powered by a single driver and cannot be switched independently.

Brass is a material that ages uniquely from piece to piece, therefore colour changes over time may appear unevenly along the pendant length. This is not a fault, but a characteristic to celebrate.

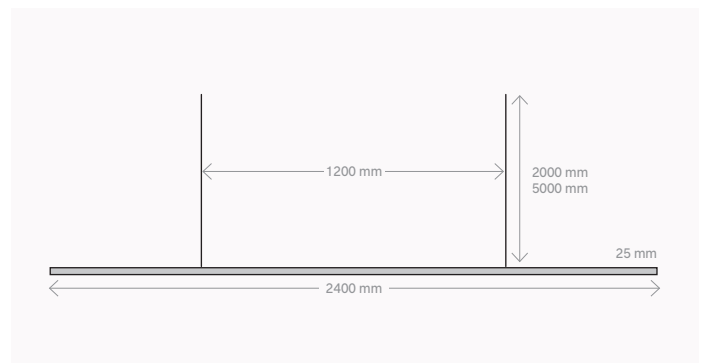
Finish Options



Dimensions



Highline 1800



Highline 2400