

Enviroslat Walnut

(Recycled Composite)

1 Composition Throughout

- 35% Recycled HDPE
- 55% Reclaimed Cellulose Fibre (woodchips etc)
- 10% UV Inhibitor, Polymer, Colour

2 Woodgrain Surface

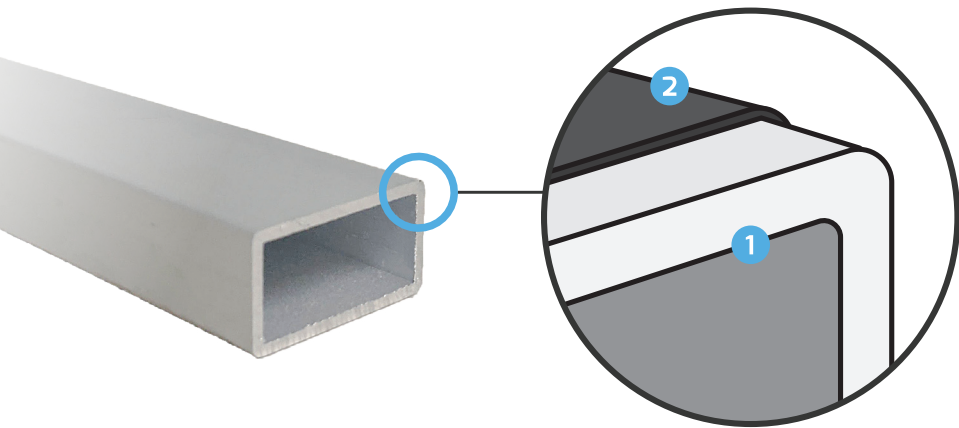
- Maintenance Free
- UV Stable
- Easy to Clean
- Rot Proof

A 40x30mm

- London Suite
- Madrid Suite
- Dublin Suite

B 70x30mm

- Paris Suite
- Vienna Suite
- Milan Suite
- Woodville Suite
- Liverpool Suite

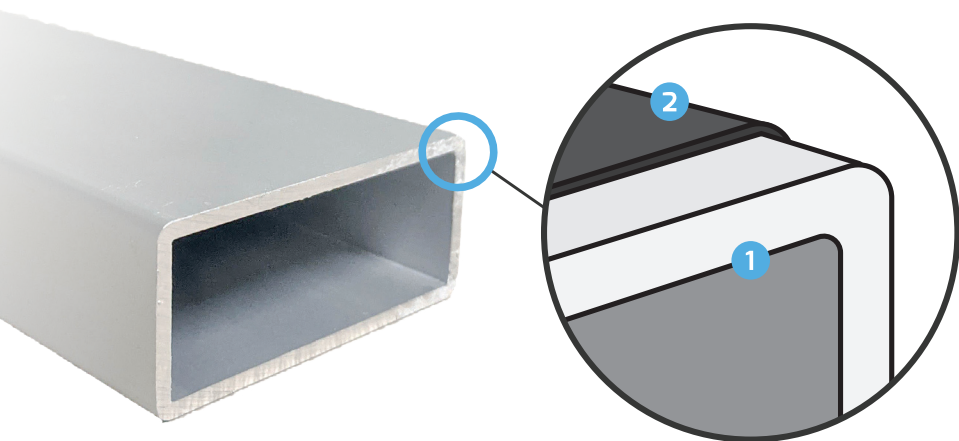


Clear Anodised Aluminium

(40x20mm)

- 1 2mm Aluminium Extrusion
- 2 Tough Electrolytic Surface Treatment Process

- Natural Aluminium Colour

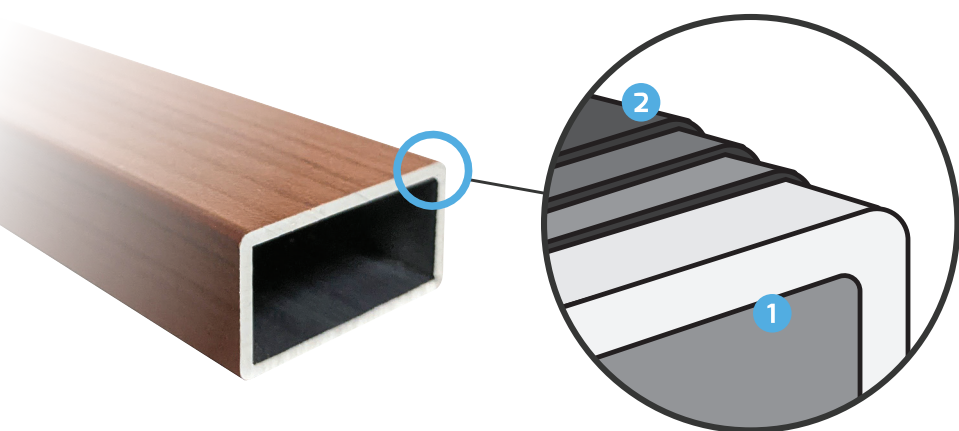


Clear Anodised Aluminium

(70x30mm)

- 1 3mm Aluminium Extrusion
- 2 Tough Electrolytic Surface Treatment Process

- Natural Aluminium Colour

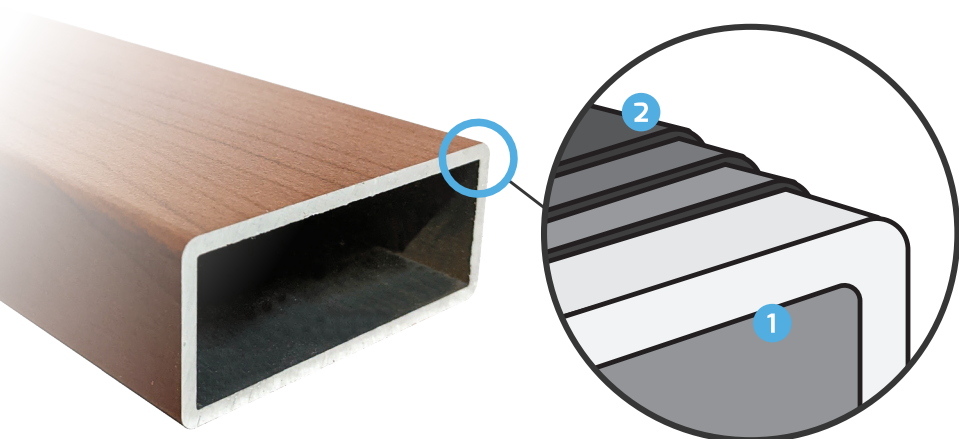


Wood Grain Powder Coated Aluminium

(40x20mm)

- Western Red Cedar

- 1 2mm Aluminium Extrusion
- 2 Tough 3-Coat Process Wood Grain Transfer Powder Coat Finish

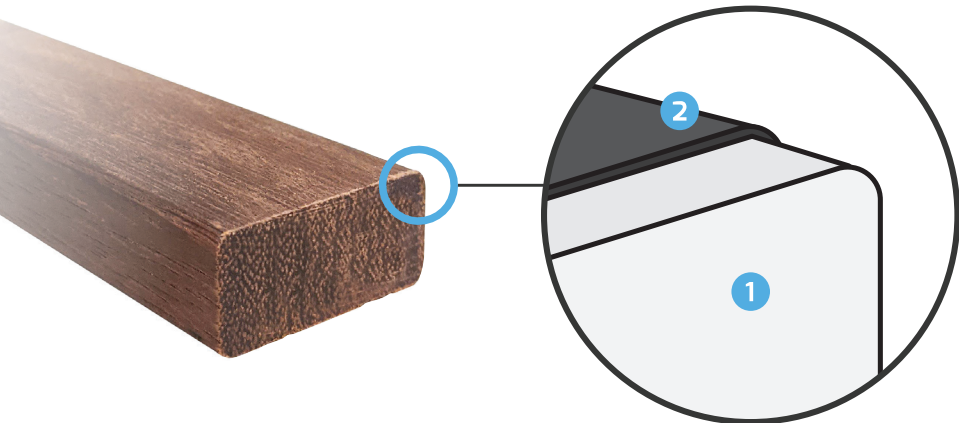


Wood Grain Powder Coated Aluminium

(70x30mm)

- Western Red Cedar

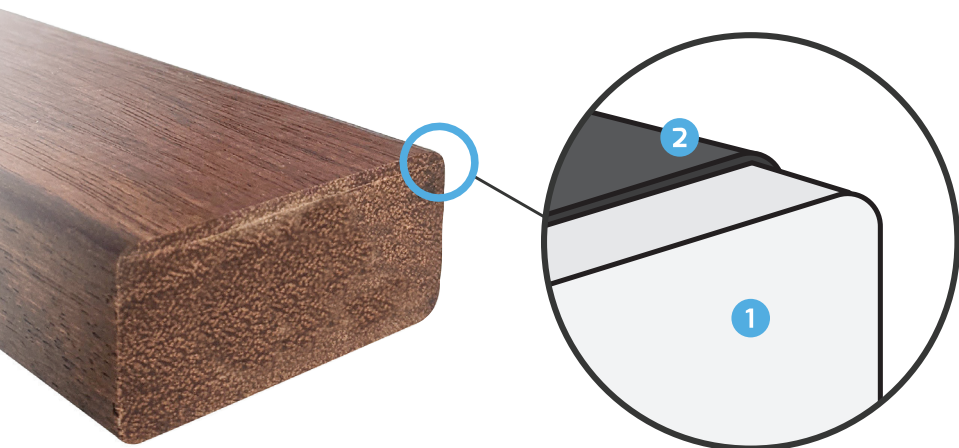
- 1 3mm Aluminium Extrusion
- 2 Tough 3-Coat Process Wood Grain Transfer Powder Coat Finish



FSC Certified Merbau Hardwood

(40x20mm)

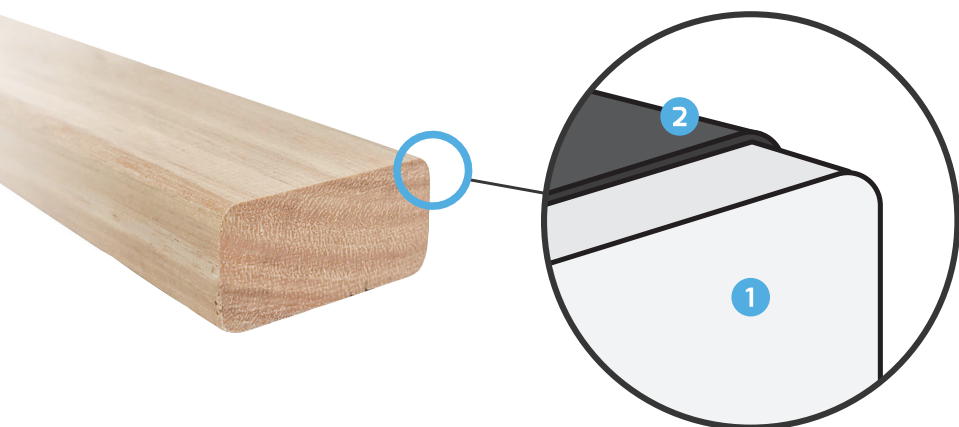
- 1** Merbau Hardwood
- 2** Cutek CD-50 (2 coats)
Timber Protection Oil



FSC Certified Merbau Hardwood

(70x30mm)

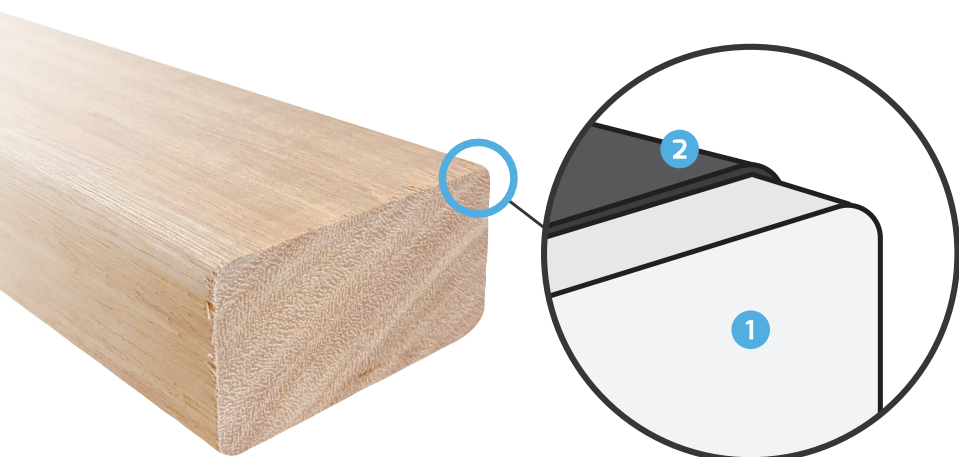
- 1** Merbau Hardwood
- 2** Cutek CD-50 (2 coats)
Timber Protection Oil



PEFC Certified Mixed Blonde Hardwood

(QLD Blackbutt 40x20mm)

- 1** Mixed Blonde Hardwood
- 2** Cutek CD-50 (2 coats)
Timber Protection Oil



PEFC Certified Mixed Blonde Hardwood

(QLD Blackbutt 70x30mm)

- 1** Mixed Blonde Hardwood
- 2** Cutek CD-50 (2 coats)
Timber Protection Oil