

VON DUPRIN®

99 Series

Exit devices



Fire Rated: Tested on fire door assemblies in accordance with Australian Standards, refer fire door manufacturer for specific approval details

The Von Duprin 99 Series is a contemporary range of push pad exit devices designed to suit heavy commercial single and double door applications. The 99 Series can be used on timber, aluminium or hollow metal hinged doors. Available in rim, surface mounted vertical rod and concealed vertical rod devices.

Furnished on all 99 Series exit devices is a fluid dampener that decelerates the push pad on its return stroke and eliminates most noise associated with exit device operation.

The 99 Series, with its upmarket design, is specifically used in public areas such as main entrances, front of house exits, auditoriums and main foyer areas.

Features

- Non-handed
- Field sizeable to accommodate a range of door openings
- Rim device has deadlocking latch with 19mm throw
- Vertical rod device has deadlocking anti-friction latch with 16mm throw
- Available in 914mm and 1220mm lengths to suit a range of door openings
- 'F' models are fire rated and have no dogging feature
- Optional external trims available for key access
- Optional alarm kit available to deter unauthorised use of an opening
- The 10 year warranty provides specifiers and users with assured quality and performance

Specification guide

Code prefix	Model	Function	Length	Finish
VD	Rim device.....99 Vertical rod device 9927	Regular EO Fire rated EO-F	914mm 914 1220mm 1220	Satin chrome plate..... SCP

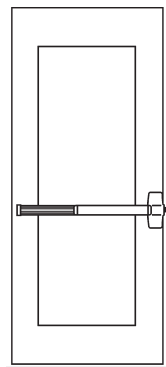
- Code prefix
All codes are prefixed with VD
- Model
Select the desired model e.g. Rim device VD99
- Function
Select the desired function e.g. Fire rated VD99EO-F
- Length
Select the desired length e.g. 914mm VD99EO-F914
- Finish
Select the desired finish e.g. Satin chrome plate VD99EO-F914SCP

Applications

Single door VD99EO

99 Rim device

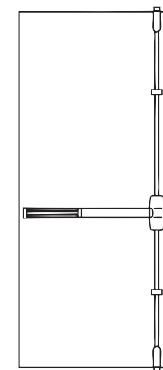
Minimum stile width 111mm with standard 299 strike



Single door VD9927EO

9927 Vertical rod device

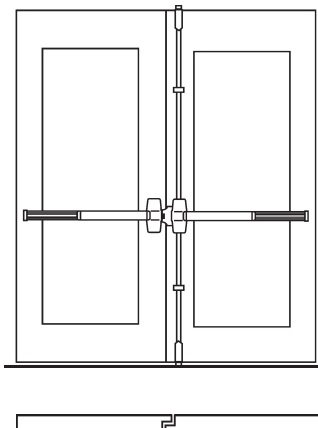
Minimum stile width 94mm



Double rebated door VDDR99

99 Rim device, 9927 vertical rod device, 1609 strike

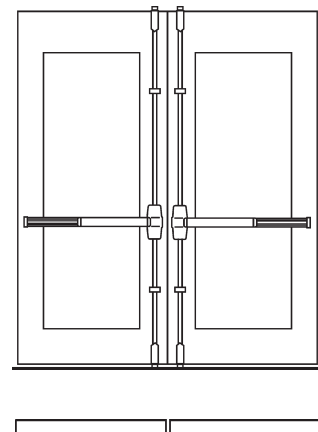
Minimum stile width 111mm



Double non-rebated door VDDD9927

2 x 9927 Vertical rod device

Minimum stile width 94mm

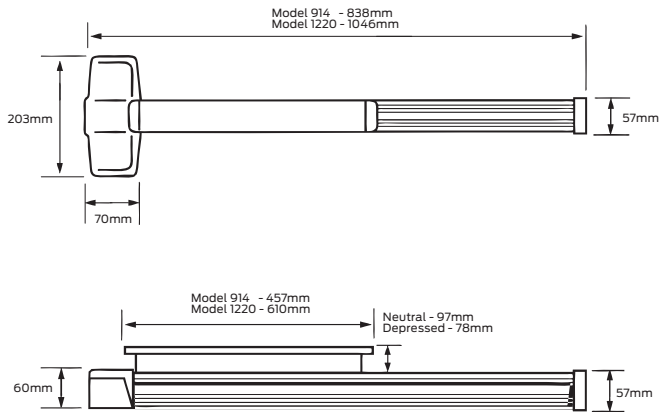


Minimum Door Opening Chart

Device model	Door seat rebate	Strike	Single door	Minimum door opening		Minimum door opening		Minimum stile width
				914 device	914 with ALK kit	1220 device	1220 with ALK kit	
99EO	13 mm	299	YES	711mm	838mm	864mm	991mm	111mm
99EO-F	25mm	299F	YES	723mm	N/A	864mm	N/A	111mm
9927EO	13 mm		YES	711mm	813mm	864mm	966mm	94mm
9927EO-F	25mm		YES	723mm	N/A	864mm	N/A	94mm

Device model	Door seat rebate	Strike	Double door rebated	Double door non-rebated	Minimum door opening		Minimum stile width
					914 device	1220 device	
99EO & 9927EO	13mm	1609	YES		1422mm	1728mm	111mm
9927EO x 2	13mm			YES	1422mm	1728mm	94mm
99EO-F & 9927EO-F	25mm	1609	YES		1422mm	1728mm	111mm

VD99EO Exit Only Rim Device



Device centre line to finished floor: 1011mm

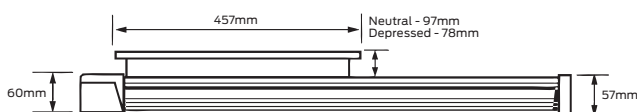
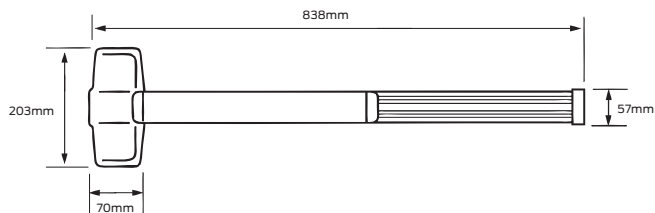
Features

- Suitable for all types of single doors
- Can be used in conjunction with a 9927EO surface mounted vertical rod device and 1609 strike for double rebated door applications
- Field sizeable to accommodate a range of door openings
- Single point locking device, with a 19mm throw deadlocking latch
- The hex key dogging allows the latch to be held in a retracted position
- A dull black 299F strike is furnished with the device
- Device supplied with all fixing hardware and hex dogging key
- Optional outside trim and alarm kits are available

Specifications

Door thickness	Combination of fasteners are furnished for surface mounting or through bolting Surface mounted - 19mm minimum Through bolt - 44mm to 57mm
Stile width	111mm minimum with standard 299 strike
Door width	914mm length - 711mm minimum* 1220mm length - 838mm minimum* * based on standard strike and 13mm stop height
Handing	Reversible
Latch	19mm throw, deadlocking
Dogging	Hex key dogging
Finish	Satin chrome plate
Warranty	10 year mechanical

VD99EO-F Exit Only Fire Rated Rim Device



Device centre line to finished floor: 1011mm

Features

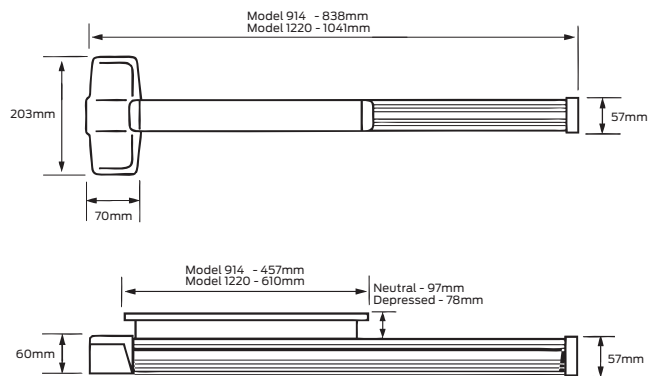
- Suitable for all types of single doors
- Can be used in conjunction with a 9927EO-F surface mounted vertical rod device and 1609 strike for double door applications
- Field sizeable to accommodate a range of door openings
- Single point locking device, with a 19mm throw deadlocking latch
- A dull black 299F strike is furnished with the device
- Device supplied with all fixing hardware
- Optional outside trim and alarm kits are available

Specifications

Door thickness	Combination of fasteners are furnished for surface mounting or through bolting Surface mounted - 19mm minimum Through bolt - 44mm to 57mm
Stile width	111mm minimum with standard 299F strike
Door width	711mm minimum * based on standard strike and 13mm stop height
Handing	Reversible
Latch	19mm throw, deadlocking
Finish	Satin Chrome Plate
Warranty	10 year mechanical

VD9927EO Exit Only Surface Mounted Vertical Rod Device

Features



Device centre line to finished floor: 1011mm

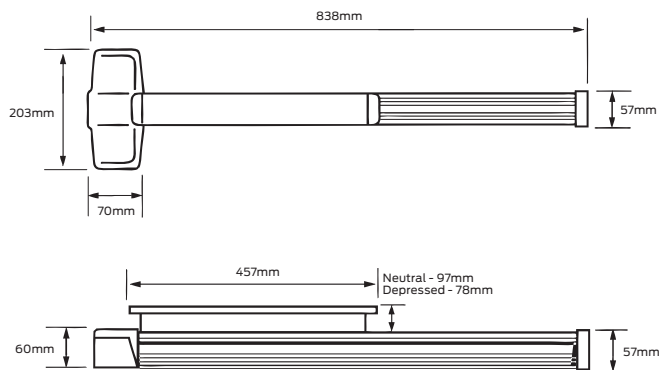
- Suitable for all types of single doors
- Can be used in conjunction with another 9927EO for double non-rebated door applications
- For rebated double door applications the 9927EO should be used in conjunction with a 99EO rim device and 1609 strike
- Fits door stiles as narrow as 94mm
- When used in conjunction with 99EO and 1609 strike on double rebated doors, the minimum stile width is 111mm
- Field sizeable to accommodate a range of door openings
- Optional extension rods available for doors over 2134mm high
- Multi-point locking device, with 16mm throw deadlocking anti-friction top and bottom latch
- The hex key dogging allows the latch to be held in a retracted position
- Supplied with 248L-4, 299 and 304L strikes as standard
- Optional outside trim and alarm kits are available

Specifications

Door thickness	Combination of fasteners are furnished for surface mounting or through bolting Surface mounted - 19mm minimum Through bolt - 44mm to 57mm
Stile width	94mm minimum
Door width	914mm length - 711mm minimum 1220mm length - 864mm minimum * based on standard strike and 13mm stop height
Door height	2134mm standard. Extension rods available for door heights up to 3050mm
Handing	Reversible
Latch	16mm throw, deadlocking
Dogging	Hex key dogging
Finish	Satin chrome plate
Warranty	10 year mechanical

VD9927EO-F Exit Only Fire Rated Surface Mounted Vertical Rod Device

Features



Device centre line to finished floor: 1011mm

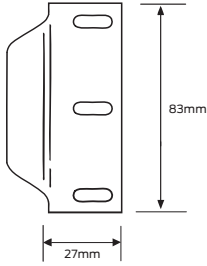
- Suitable for all types of single doors
- Can be used in conjunction with 9927EO-F for double non-rebated door applications
- For rebated double door applications the 9927EO-F should be used in conjunction with a 99EO-F rim device and 1609 strike
- Fits door stiles as narrow as 94mm
- Field sizeable to accommodate a range of door openings
- Multi-point locking device, with 16mm throw deadlocking anti-friction top and bottom latches
- Supplied with 299F and 304L strikes as standard
- Optional outside trim and alarm kits are available

Specifications

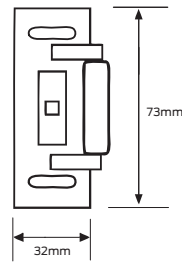
Door thickness	Combination of fasteners are furnished for surface mounting or through bolting Surface mounted - 19mm minimum Through bolt - 44mm to 57mm
Stile width	94mm minimum
Door width	711mm minimum * based on standard strike and 13mm stop height
Door height	2134mm standard. Extension rods available for door heights up to 3050mm.
Handing	Reversible
Latch	16mm throw, deadlocking
Finish	Satin chrome plate
Warranty	10 year mechanical

Suitable strikes for VD99EO

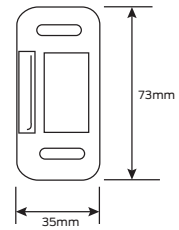
1609



299

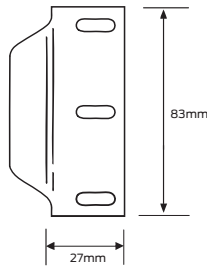


1606

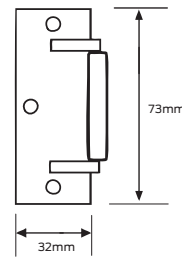


Suitable strikes for VD99EO-F

1609

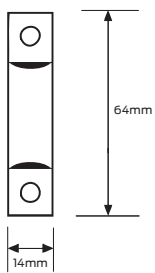


299F

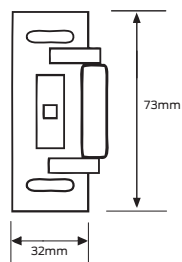


Suitable strikes for VD9927EO

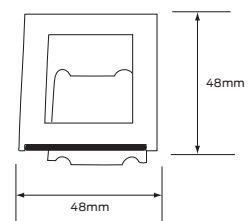
248L-4



299

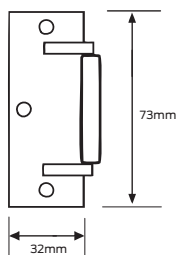


304L

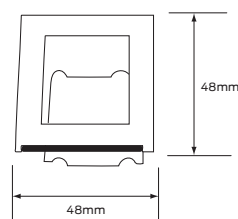


Suitable strikes for VD9927EO-F

299F



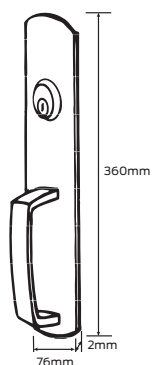
304L



99 Series accessories

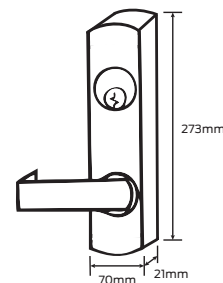
Nightlatch with pull VD990NL

Key retracts the latch. Nightlatch cylinder ordered separately. Trim projection is 51mm
Finish: Satin chrome plate



Breakaway lever VD996L

Key locks and unlocks lever. Nightlatch cylinder ordered separately. Trim projection is 70mm
Finish: Satin chrome plate



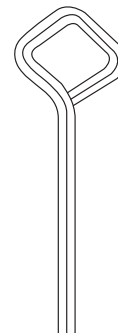
Vertical extension rods

For doors over 2134mm high. Available in either 305mm or 914mm lengths. Rods are field sizeable
Finish: Satin chrome plate



Hex dogging key

Dogging key supplied standard with all exit device with dogging feature.



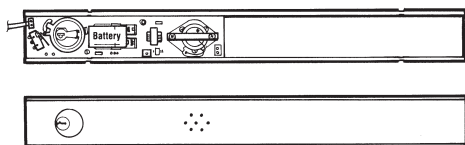
99ALK Exit alarm kit

The 99ALK exit alarm kit is a simple yet effective way to monitor the use of an exit device and deter unauthorised use of an opening. While still a means of egress, the unit contains an internal horn. When the touch bar is depressed, the horn sounds to provide an audible means of signalling that the opening has been activated.

The key switch allows you to arm and disarm the alarm. The unit operates on one standard 9-volt battery. When the battery is weak, the horn will emit an intermittent signal.

Includes "EMERGENCY EXIT ONLY. ALARM WILL SOUND" decal for application on the door.

Requires 32mm mortice cylinder. Cylinder ordered separately



EL Electric latch retraction

The EL feature allows for the remote unlatching of exit devices. A control station operator can flip a switch to retract the latch bolt and immediately change an exit door to push-pull operation. A powerful, continuous duty solenoid retracts the latch bolt, either for momentary unlatching, or for extended periods of time. The EL feature is an alternative to manual dogging.

EL devices are also useful with automatic door operators, and may be applied to fire-rated applications when under the control of an automatic fire alarm system.

Minimum door width with alarm kit*

	914mm	1220mm
99EO	838mm	991mm
9927EO	813mm	966mm

* based on standard strike and 13mm stop height



ALLEGION™

PIONEERING SAFETY™

We are
Allegion