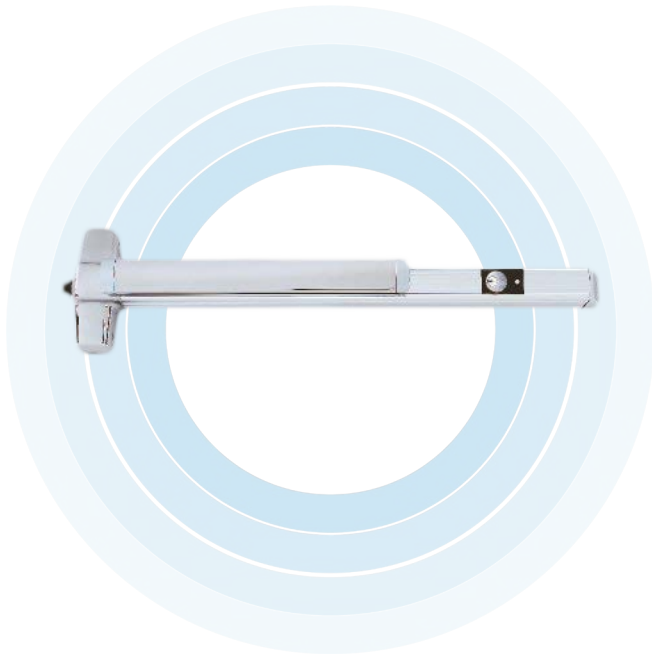


CHEXIT™ CONTROLLED EXIT DEVICE

EXIT DEVICE



CX Chexit is designed for use on delayed exit applications. The concept of a delayed exit system combines life safety with the need for security.

The Chexit system will keep an exit door secured for a 15 second period, yet tied into the fire alarm system will release immediately when an alarm condition exists. All controls, auxiliary locking, local alarm and remote signalling output are self-contained in the Chexit assembly providing safe, secure and easy to install door control hardware.

The Chexit system is ideal for highly controlled areas such as airports, hospitals, government facilities and development labs, retail stores, libraries and security facilities.

CX98 and CX99 are available for rim, mortice lock and surface and concealed vertical rod mounting styles. For CX98/9927 panic and fire devices, two Rod Guards (RGO) are required. For door heights over 2130mm additional Rod Guards will be added as needed to protect the rods.

UL listed for use on panic or fire exit doors 914mm or 1220mm wide.

The Chexit device includes decal for application on door, "Push until alarm sounds. Door can be opened in 15 seconds".

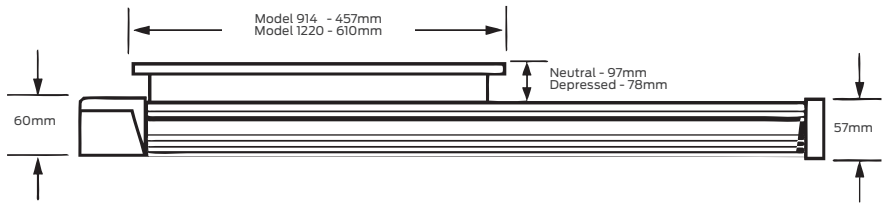
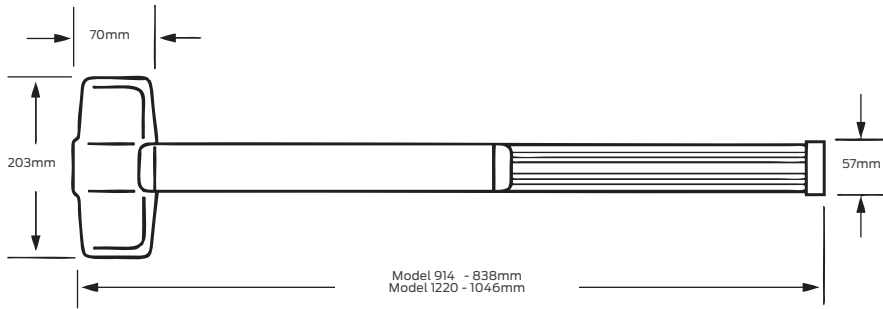
Technical Details

Continuous Duty	24VDC
Current In-rush	16 amperes
Current Holding	3 amperes
External Alarm Contact	1 ampere @ 24VDC
Fire Alarm Input	Set-up for normally closed dry contacts
External Inhibit Input	Set-up for normally closed dry contacts
Door Position Input	Set-up for normally closed dry contacts
Warranty	10 years mechanical, 1 year electronic

Product Features

- Non handed
- Field sizable
- A Request to Exit switch is built in to detect when someone attempts to exit. A push pad will cause this switch to start an irreversible alarm.
- Key Switch - Provides the means to arm, disarm or reset the Chexit
- Indicator Lamp - Determines the status of the Chexit
- Internal Horn - Whenever the device is in alarm or the push pad is pressed the internal horn will sound
- Remote Alarm - A set of relay contacts (rated 1 ampere, 34VDC) are provided to give the external alarm indication. These contacts close when the device is in an irreversible alarm condition. These contacts can be used to drive a horn, lamp or other signalling devices
- Cylinders are not furnished with the Chexit device and must be specified when ordering. Uses a standard 32mm mortice cylinder
- A complete Chexit system requires a PS873 power supply and a power transfer

Product Dimensions and Installation



Device centre line to finished floor: 1011mm.

