

**5 Inches Downlight
Tilted and Fixed**

Code: D8066

**Single Light Source
Downlight**



Features

- Latest high performance Chip on Board LED
- Single point light source
- Better performance than a 100w-250w Halogen Par 38 lamp & PLC Lamp
- High Power Factor >0.9.

Specification

Light Source	High Power Ceramic Base COB LED
Drive Current	1050mA
Power Consumption/Power Factor	30W-55 W/0.95
IP Rated	From IP20 to IP54
Color Temperature (CCT)	Cool White 4000±200K /Warm white 2700±200K
Initial Luminous flux (Total)	3300Lumen 6600 Lumen in 4000K
Color Rendering index (CRI)	>RA 85 >RA90
Luminaire Efficacy	120Lm/w
Input voltage	240vAC
Lens options	30/60 degree Lens (Fixed and Tilted available)

Benefits

- Extra Long Life More than 50,000 hours.
- Save upto 80% of energy Consumption & reduce maintenance costs.
- Virtually no heat or UV output.
- No Mercury & Resistant to Shock and vibration.

Comparison

		
	LED Down Light	Par 38 Halogen Lamp
Power	55 w	150 w
Yearly Power Consumption	259 KW	438 KW
Luminous intensity	6600 lms (CW)	2600 lms (WW)
Life span	>50,000 Hrs	<2,000 Hrs
Rohs Compliant	Yes	No

DA Lighting

Unit 5, 3 Lancaster Road, Ingleburn NSW 2565

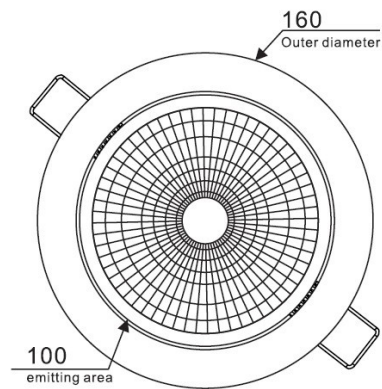
EL: 02 80069016

Email: info@dalighting.net.au

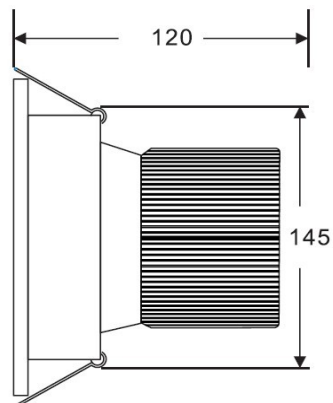
Website: www.dalighting.net.au

Dimensions

Dimensions



Hole Cut-Out =
140-150mm



DA Lighting

Unit 5, 3 Lancaster Road, Ingleburn NSW 2565

EL: 02 80069016

Email: info@dalighting.net.au

Website: www.dalighting.net.au