

**Model:  
DA-MTS300**



**CE & Energy Star Compliant**

**IP20  
Dimmable**



**Features**

- Energy efficient
- Life Span over 30,000 hrs
- CCT 2700k, 3000k, 4000k,
- Finish color: white or black
- Adjustable 90° vertically for 28w version
- Mounting can be recessed, surfaced, suspended
- Warranty: 3 years.

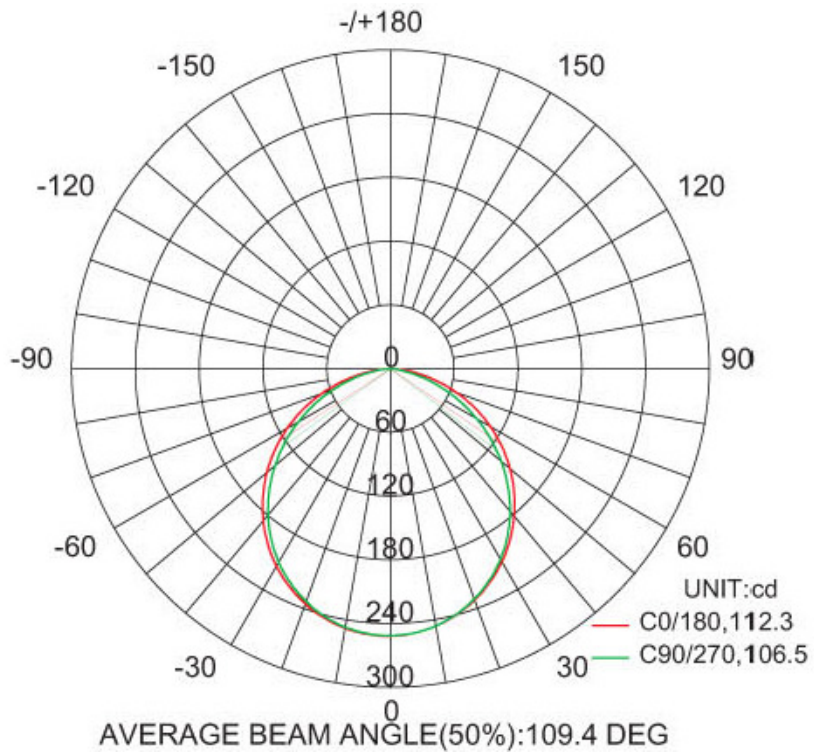
**Specification**

<b>Model</b>	<b>DA-MTS300 Slim, Thick, Thick28w</b>	
<b>Light Source</b>	SMD	
<b>Power Consumption</b>	14w	28w
<b>Initial Luminous flux (Total)</b>	700lm	1000lm
<b>Finishing</b>	White or Black	
<b>Color Rendering index (CRI)</b>	>80/90	
<b>Power Factor</b>	>0.9	
<b>Input /output voltage</b>	220-240 v AC 50-60 hz; 24vDC	
<b>Material</b>	Aluminum	
<b>Light Beam Angle</b>	110°	

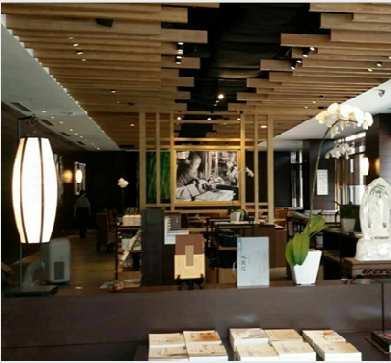
**Benefits**

- Life more than 30,000 hours
- Save up to 80% of energy Consumption & reduce maintenance costs
- Virtually no heat or UV output
- No Mercury & Resistant to Shock and vibration

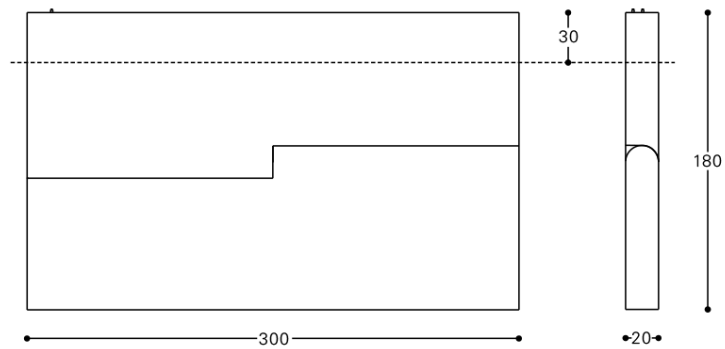
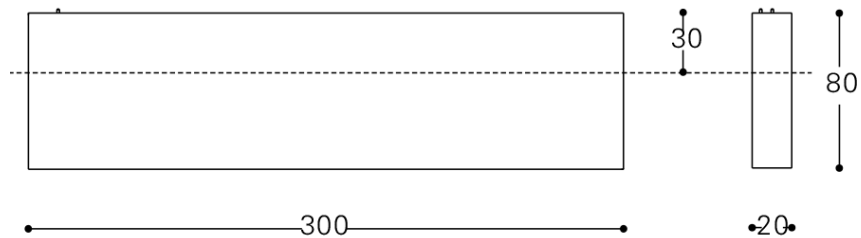
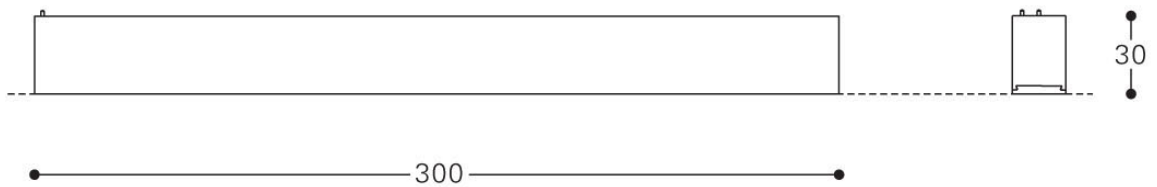
# Optical Performance



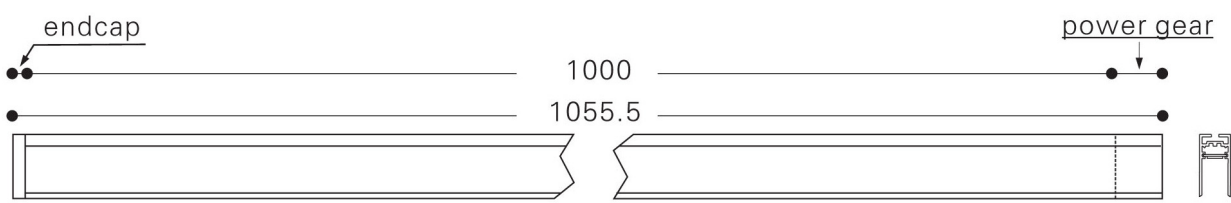
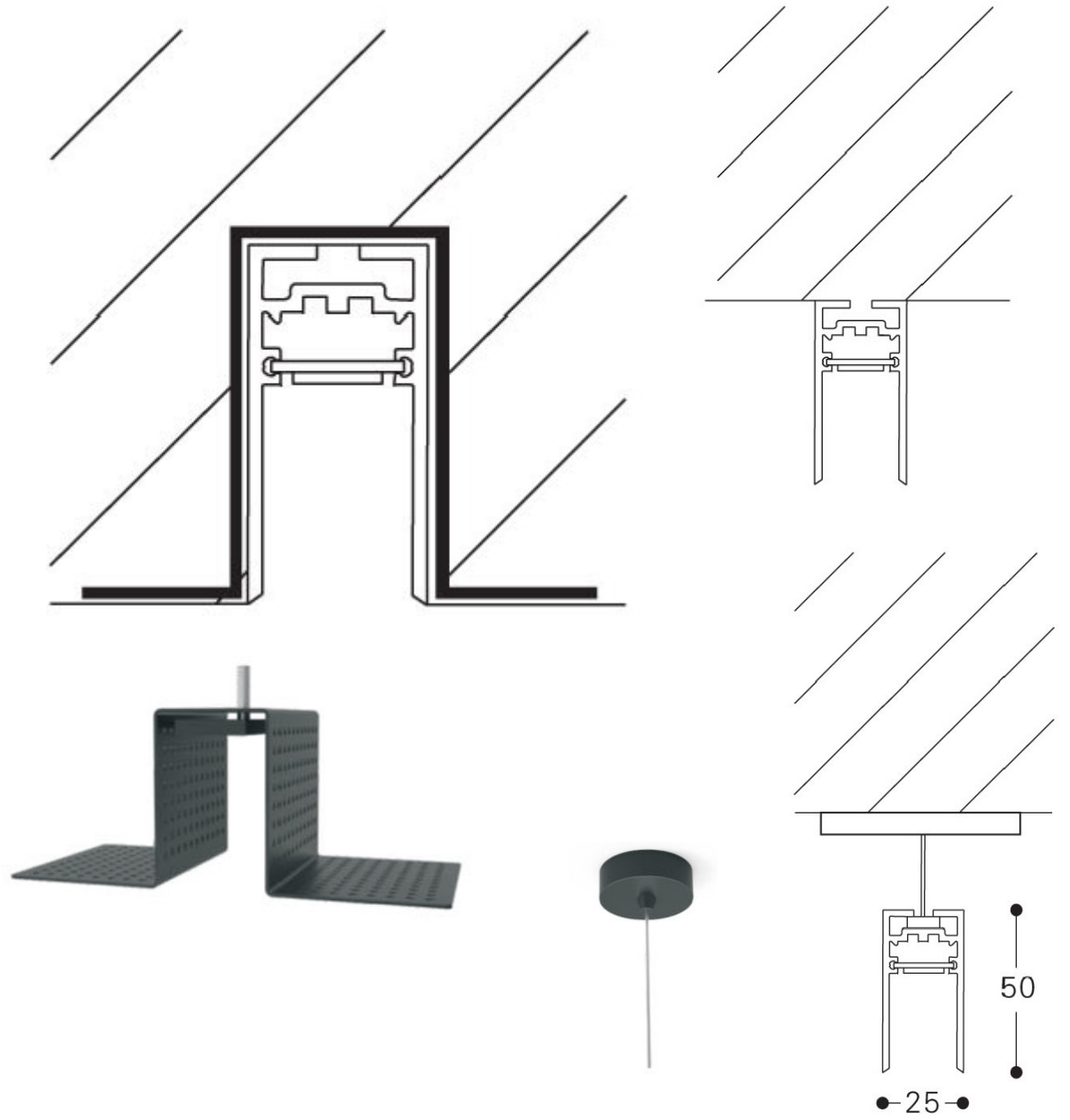
### Application



- Shelf lighting;
- Retail product Lighting;
- Furniture Lighting;
- Bookcase lighting;
- Accent lighting;
- Task lighting;
- Product line lighting



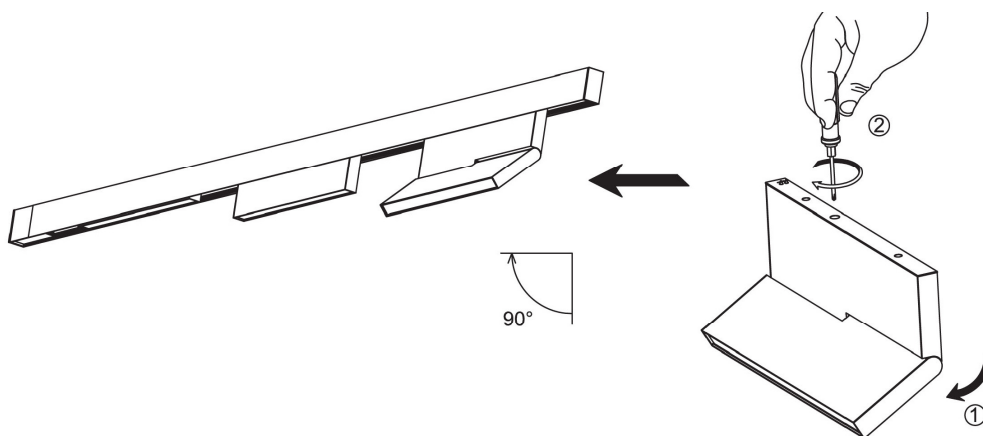
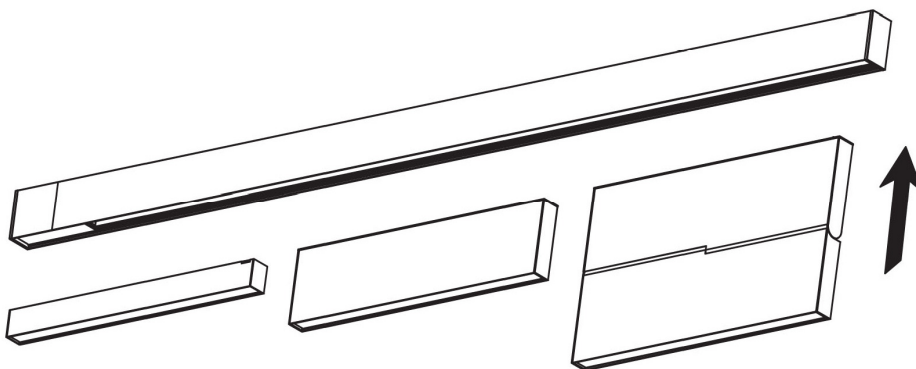
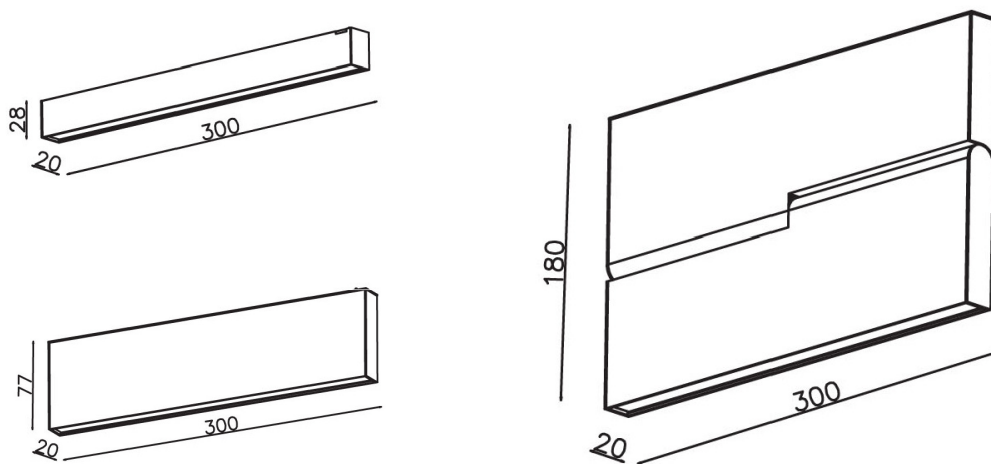
**Installation**



Allowance for Endcap & power gear: 55.5mm

E.g,  
 1000mm body, total length 1,055.5 mm  
 600mm body, total length 655.5mm

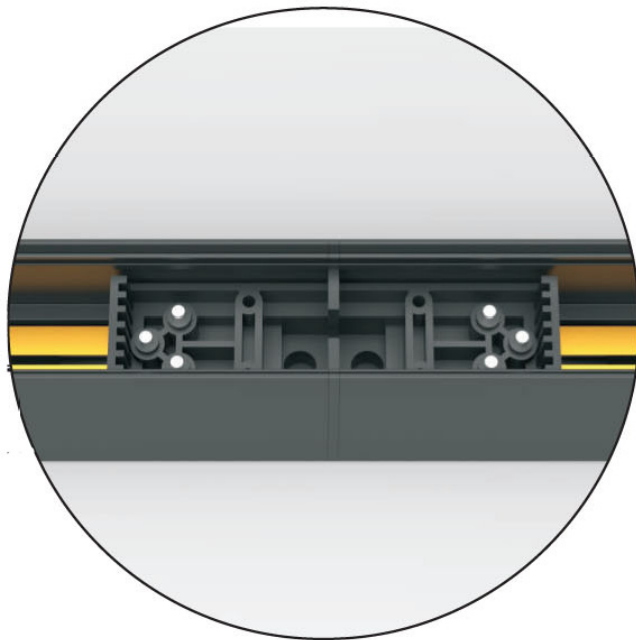
# Installation



# Connector Installation



Connector



## Further Information

### Power supply options

Power Supply

**Notes:**

1. Ambient Temp. -10 °c to 50 °c
2. Working Relative Humidity 20% to 90% RH
3. COB : or

### Packaging Details

Product	Color box* size	Carton size (LxWxH)	Units/ Carton	Net Weight kg	Gross weight kg
300mm14w 101		530x360x220mm	30	0.20kg each pcs	
300mm14w 201		700x600x290	50	0.52kg each	

Options

