

**DaVinci** By *Lopi*  
CUSTOM FIREPLACES®



# DaVinci Custom Fireplaces™

*The most innovative and unique fireplaces ever made*

DaVinci is a fusion of fire and iconic, contemporary design – The epitome of the perfect decorative, non-heating custom gas fireplace in all areas of design, innovation and functionality. With DaVinci, there are no design limitations.

The breathtaking beauty and style of a DaVinci Custom Fireplace will create a dramatic focal point in any room. A sleek, contemporary profile features an all-glass viewing area that surrounds a ribbon of rich, dancing flames. DaVinci's signature fire presentation draws you in with its striking presence of mesmerizing flames over a bed of reflective crushed glass or embers with adjustable vibrant multi-color LED lighting.





# ontents

DaVinci Custom Fireplaces® range in length from 914mm to 2134mm (3ft-7ft), and feature four different glass heights of 305mm, 508mm, 762mm and 914mm (12", 20", 30", 36").

## Tantalizing Features

Special Features of the DaVinci 4-12

## Product Information

Single-Sided Fireplaces	13
Right & Left Corner Fireplaces	14
Bay Window Fireplaces	15
Pier Fireplaces	16
See-Thru Fireplaces	17
Island Fireplaces	18
Construction & Venting	19





# Features

Manufactured in Mukilteo, WA by Travis Industries, North America's premier manufacturer of hearth products.

- Winner of the prestigious Hearth Industry VESTA Award for Best New Gas Fireplace in North America for 2014.
- 14.5 Mjs per (foot) 305mm input.



- More than 500 individual custom fireplace designs to choose from with 305mm (12"), 508mm (20"), 762mm (30"), and 914mm (36") glass heights.

- Order by the foot (305mm) in lengths from 914mm (3ft) to 2134mm (7ft).

7 Fireplace Designs:

Single-Sided Fireplaces

Right Corner Fireplaces

Left Corner Fireplaces

See-Thru Fireplaces

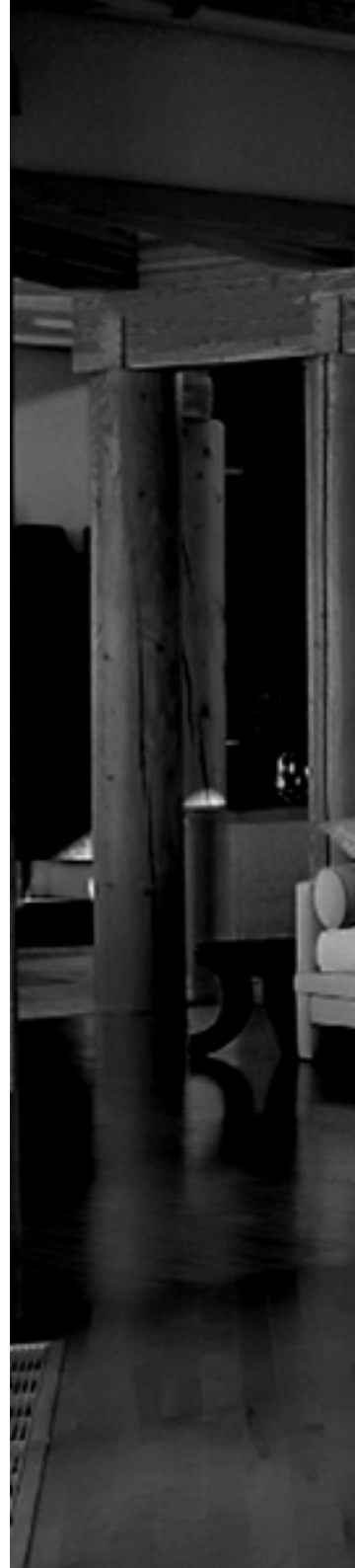
Bay Window Fireplaces

Pier Fireplaces

Island Fireplaces

- Platinum or black reflective crushed glass floor with multi-colored LED lighting
- Ember Rock media options (see page 10).

- DaVinci Custom Fireplaces are the finest engineered fireplaces, and feature heavy gauge steel construction and the highest quality materials available.
- Innovative modular design makes DaVinci the easiest custom fireplace to deliver and install at the jobsite.
- Safety touch glass at extraordinarily low temperatures.
- Approved for covered outdoor installation.
- See-Thru models can be built into an exterior wall using our Exterior Window Kit
- Zero clearance to combustible surfaces.
- Quiet power vent exhaust system accommodates vent runs up to 45 metres long. The exhaust vent can terminate above, to the sides or below the fireplace.
- Choice of vertical or inline horizontal power vent fans.
- Optional heat exchanger available on units (up to 1829mm 6ft) for applications requiring room heat.





1524mm (5ft) wide Island with 508mm (20") Tall Glass  
[davincifireplaces.com.au](http://davincifireplaces.com.au)

# Seven Models

Single-Sided



Left Corner



Right Corner



Bay Window



Pier



Island



See-Thru



DaVinci Custom Fireplaces™ are available in seven different models, allowing you to create a fireplace with a design configuration that will architecturally complement any space.

- Single-Sided & See-Thru models:  
Lengths range from 914mm (3ft) to 2134mm (7ft).
- Right Corner, Left Corner & Pier Models:  
Lengths range from 1067mm (3.5ft) to 1981mm (6.5ft).
- Bay Window & Island Models:  
Lengths range from 1219mm (4ft) to 2134mm (7ft).

# our Glass Heights

All seven DaVinci models feature the choice of four different glass heights, which range from a sleek 305mm tall up to a massive 914mm tall.



305mm Glass Height




508mm Glass Height



762mm Glass Height



914mm Glass Height



# Safe Touch Glass™

Your safety is our number one concern. Innovative engineering keeps our double-pane, crystal clear glass at extraordinarily low temperatures, reducing any potential for injury.

This standard safety feature on every DaVinci Custom Fireplace makes them ideal for decorative home applications and high traffic commercial installations.





## Zero Clearance To Combustible Surfaces

The fireplace's exterior remains cool to the touch from the outside air that is ducted to the fireplace. This eliminates the use of expensive non-combustible building materials and gives you the freedom to finish right up to the edge of the glass with any building materials you desire.



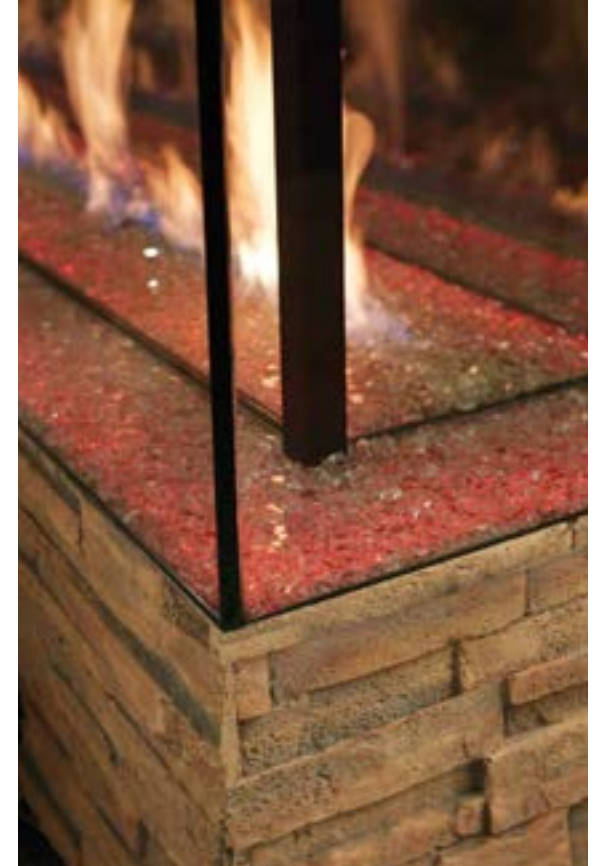
### Plasterboard

Bring the clean finish edge of sheetrock up to the glass or use our custom black painted metal trim along the top edge.



### Timber

Any wood finish of your choice can be installed right to the edge of the glass.



### Tile or Stone

Use cement sheet backing or attach stone or tile directly to the fireplace. Stone or tile can go right to the edge of the glass.



Platinum Crushed Glass showing variations of coloured LED lights

Black Crushed Glass  
Option

Rock Ember  
Option

## Multi-Coloured Interior LED Lighting

DaVinci's Platinum crushed glass floor is under-lit with vibrant coloured LED lights that take this fireplace to a whole new level when illuminated. An endless array of vivid colors is at your fingertips, allowing you to set the mood and create the perfect ambiance for any occasion. The burst of colour adds a mesmerizing glow around the flames and reflects off the crushed glass floor to create a dramatic presentation of fire unlike anything you've ever seen. Looking for a more subtle organic look? DaVinci Custom Fireplaces offers Black Crushed Glass or Rock Ember options.

# Upgrade Options

## Choice of Liners (Required)

These contemporary liners provide a dramatic backdrop to the dancing flames of your DaVinci.



Standard Black Paint Finish



Silver Paint Finish



Black Porcelain Finish



Glass Finish

## Optional Finishing Trim

Combustible materials can be finished to the edge of your DaVinci fireplace. However for a more classic frame finish you can accent your DaVinci with the 50mm Black Trim.



50mm Wide Black Painted

## Heat Exchanger Kit

While DaVinci Custom Fireplaces are primarily designed as a non-heating appliance, there are occasions where heat is desired.

DaVinci Custom Fireplaces makes a heat exchanger add-on option that allows you to vent heat in the room where the fireplace is located, or into a nearby location within the building.

The heat exchanger is not currently available for Bay and Island fireplaces and only on units up to 1829mm (6ft) wide.



## Exterior Window Kit

The DaVinci Single-Sided and See-Thru models are approved for Indoor/Outdoor Installation.

This installation requires the 'Exterior Window Kit.'

The Exterior Window Kit can accommodate fireplaces up to 2134mm (7ft) in length and can be used with all glass heights.



## Choice of Optional Fyre-Art™

Transform the overall look of your DaVinci with one of these transitional Fyre-Art™ options. We craft our Fyre-Art™ based on pieces of driftwood and time worn stones to offer the most detailed and realistic media available.



Traditional Log Set



Driftwood Log Set



Birch Logs - 20" Glass Models Only



Twig & Stone Kit



Bamboo Logs - 508mm (20") Glass Height Models Only



Tumbled Stone Kit

# Single-Sided

The sleek simplicity of this fireplace lends itself to a wide range of applications and has the ability to complement any residential or commercial space with its clean, dynamic view, and a fire that will not overheat your dinner guests. Available in 305mm (1ft) lengths from 914mm (3ft) to 2134mm (7ft), choose from 305mm, 508mm, 762mm and 914mm (12", 20", 30", 36") tall glass.



1524mm (5ft) wide Single Sided fireplace with 508mm (20") tall glass

# Right or Left Corner

This eye-catching corner design adds visual depth and dimension to the fireview, while architecturally complementing a variety of applications. The modular design of the DaVinci allows us to custom build Corner Fireplaces in lengths up to 1981mm (6.5ft) and glass in 305mm, 508mm, 762mm and 914mm (12", 20", 30", 36") heights.



1372mm (4.5ft) wide Right Corner fireplace with 508mm (20") tall glass

# Bay Window

This fireplace features a contemporary three-sided glass design that showcases the fire from multiple view points and provides a dramatic focal point to any room. Available in one foot lengths from 1219mm (4ft) to 2134mm (7ft) and your choice of 305mm, 508mm, 762mm and 914mm (12", 20", 30", 36") tall glass.



1829mm (6ft) Bay Window fireplace with 508mm (20") tall glass



The unique architectural design of this fireplace serves as a beautiful focal point that can be used to divide a large living space or integrate two smaller spaces. Available in lengths up to 1981mm (6.5ft) and glass in 305mm, 508mm, 762mm and 914mm (12", 20", 30", 36") heights.

**AVAILABLE WITH OR WITHOUT POST (Postless is optional)**



1372mm (4.5ft) wide Pier fireplace with 508mm (20") tall glass





# ee-Thru

The See-Thru can serve as a stylish viewing window between two rooms, or provide a breathtaking display of fire to the center of large rooms and outdoor living spaces. Available in 305mm lengths from 914mm to 2134mm (7ft). Choose 305mm, 508mm, 762mm and 914mm (12", 20", 30", 36") tall glass.



1524mm (5ft) wide Indoor/Outdoor See-Thru fireplace with 914mm (36") tall glass



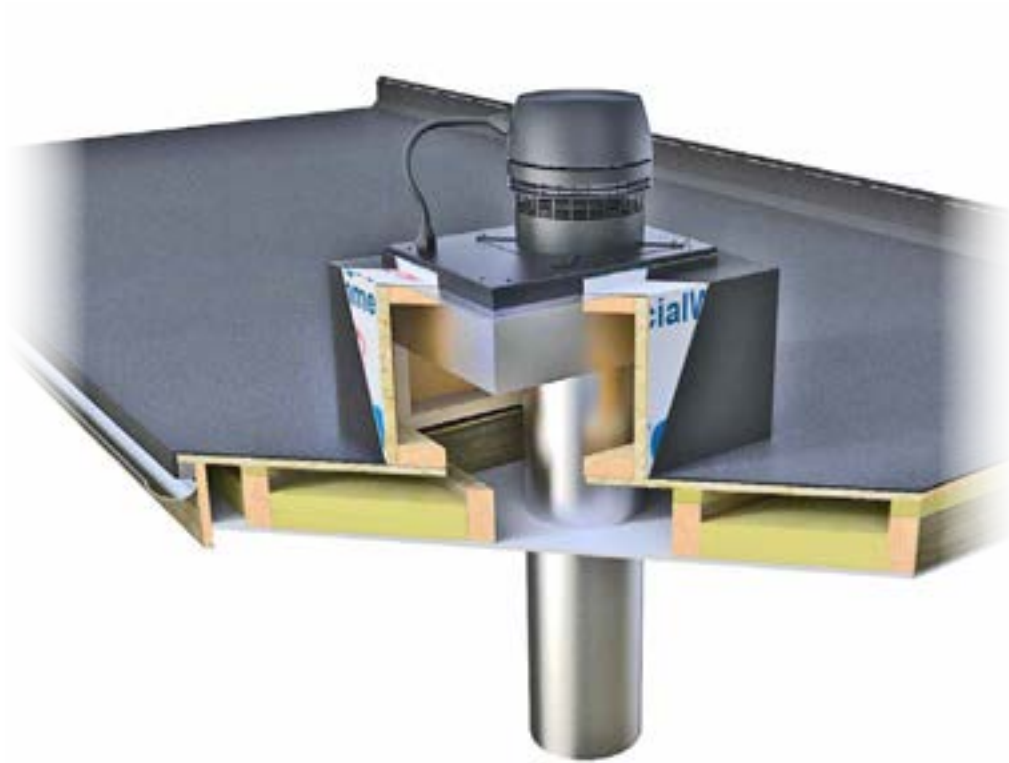
The Island makes a stunning focal point for the center of any living space, as it features a 360 degree wrap-around fire view that can be enjoyed from any angle in the room. Available in one foot lengths from 1219mm (ft) to 2134mm (7ft) and choice of 305mm, 508mm, 762mm and 914mm (12", 20", 30", 36") tall glass.



1829mm (6ft) wide Island fireplace with 508mm (20") tall glass

# Venting

All DaVinci Custom Fireplaces are power vented. A quiet power vent exhaust system pulls combustion air into and around the fireplace while at the same time exhausting combustion gases through the exhaust vent and out of the building. This system solves all venting challenges and accommodates vent runs up to 45 metres long or 900mm below the unit, allowing you to install a DaVinci anywhere your imagination pictures it.



Vertical (Roof Top) Power Exhaust Vent Fan Termination



Horizontal Termination (Inline Power Exhaust Fan)



See our complete line of fireplaces  
Visit us online: [davincifireplace.com.au](http://davincifireplace.com.au)

We reserve the right to change and improve our product at any time without prior notification. Please refer to the Owner's Installation Manual for complete installation requirements.  
Photos and illustrations are for descriptive purposes only.