

INTRODUCING THE NEW FLINDERS SEAT



- Robust design for high use environments
- Use of sustainable materials
- Wide range of colours available
- 100% Australian made
- Installation service available
- Delivered fully assembled
- Part of the Flinders Range (see back page)



Call 1300 768 230
or visit our website
furphyfoundry.com.au
for more info

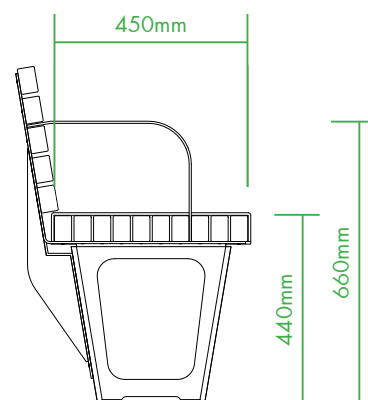
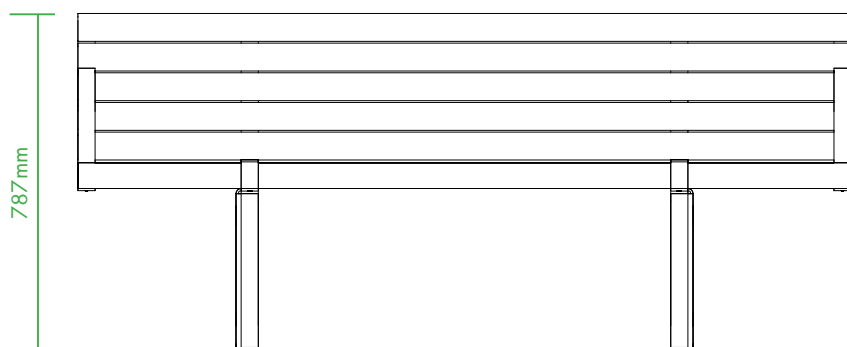
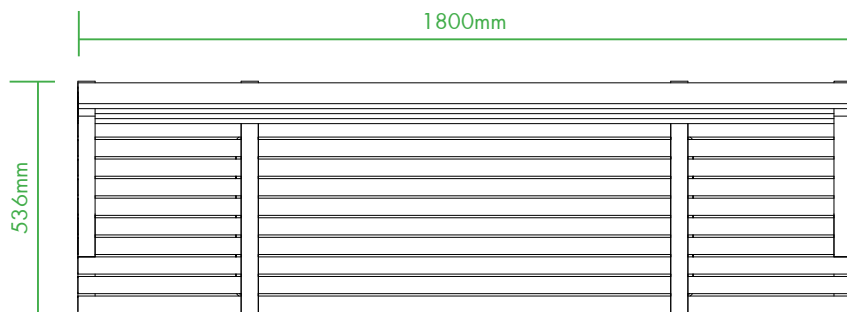


FLINDERS SPECIFICATIONS



Standard FFSB002400 Flinders Seat with bolt-down footings

- Hot-dipped galvanised steel frames
- Powder coat finish - optional colours
- 60 x 40 Sustainable Wood Plastic Composite (WPC) slats with rounded edges (walnut standard colour)
- Hold down bolts not included
- 1800mm long x 536mm wide x 787mm high



Also available in a Bench or Table as part of a complete Picnic Setting in the Flinders Range made with Wood Plastic Composite (WPC) slats.

