

FISHER & PAYKEL

BUILT-IN OVEN

OB76S & OB76D
touchscreen models

INSTALLATION GUIDE

NZ AU

SAFETY AND WARNINGS

⚠ WARNING!



Electric Shock Hazard

Failure to follow this advice may result in electric shock or death.

- Before carrying out any work on the electrical section of the appliance, it must be disconnected from the mains electricity supply.
- Connection to a good earth wiring system is absolutely essential and mandatory.
- Alterations to the domestic wiring system must only be made by a qualified electrician.

⚠ WARNING!



Fire Hazard

Failure to follow this advice may result in overheating, burning, and injury.

- Do not use adaptors, reducers, or branching devices to connect this appliance to the mains power supply.

⚠ WARNING!



Cut Hazard

Failure to use caution could result in injury.

- Take care: some edges are sharp.

WARNING!

To avoid hazard, follow these instructions carefully before installing or using this appliance.

- Please make this information available to the person installing the appliance – doing so could reduce your installation costs.
- This appliance must be installed and connected to the mains power supply only by a suitably qualified person according to these installation instructions and in compliance with any applicable local building and electricity regulations. Failure to install the appliance correctly could invalidate any warranty or liability claims.
- If the installation requires alterations to the domestic electrical system, call a qualified electrician. The electrician should also check that the socket cable section is suitable for the electricity drawn by the oven.
- The oven must be earthed.
- If the power supply cable is damaged, it must be replaced by the manufacturer, its service agent or similarly qualified person in order to avoid a hazard.
- Isolating switch: ensure this oven is connected to a circuit which incorporates an isolating switch providing full disconnection from the power supply in accordance with the wiring rules.
- Do not use adaptors, reducers or branching devices to connect the oven to the mains electricity supply, as they can cause overheating and burning.
- Ensure the cavity is completely sealed with no gaps. This is to ensure the oven cooling system functions correctly.
- The appliance must not be installed behind a decorative door in order to avoid overheating.

⚠ WARNING!



Very Heavy

Failure to follow this advice may result in serious injury.

- Do not attempt to lift this product unassisted.

IMPORTANT! SAVE THESE INSTRUCTIONS

The models shown in this installation guide may not be available in all markets and are subject to change at any time. For current details about model and specification availability in your country, please go to our website www.fisherpaykel.com or contact your local Fisher & Paykel dealer.

PARTS SUPPLIED



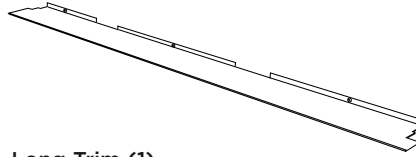
Screws

Single oven models (2)
Double oven models (4)



Spacers

Single oven models (2)
Double oven models (4)



Long Trim (1)

To be fitted in
a flush installation.

PRIOR TO INSTALLATION

- the benchtop and oven cavity are square and level, and are the required dimensions.
- the installation will comply with all clearance requirements and applicable standards and regulations.
- a suitable isolating switch providing full disconnection from the mains power supply is incorporated in the permanent wiring, mounted and positioned to comply with the local wiring rules and regulations. The isolating switch must be of an approved type and provide a 3 mm air gap contact separation in all poles (or in all active [phase] conductors if the local wiring rules allow for this variation of the requirements).
- the isolating switch will be easily accessible to the customer with the oven installed.
- the electrician provides sufficient free length of power supply cable to reach from the bottom rear of the cavity to at least 1.5 metres in front of the bottom edge of the opening.
- the cable may enter the cavity from the side, top or bottom, but top entry must be at the rear of the cavity.
- the oven connection socket (if fitted) is outside the cavity if the oven is flush to the rear wall.
- the oven will rest on a surface that can support its weight.
- the height from the floor suits the customer.
- you consult local building authorities and by-laws if in doubt regarding installation.

IMPORTANT!

Some environmental factors and cooking habits can cause condensation in and around the oven during use. To protect surrounding cabinetry from possible damage caused by frequent or excessive condensation, we recommend moisture-proofing the oven cavity.

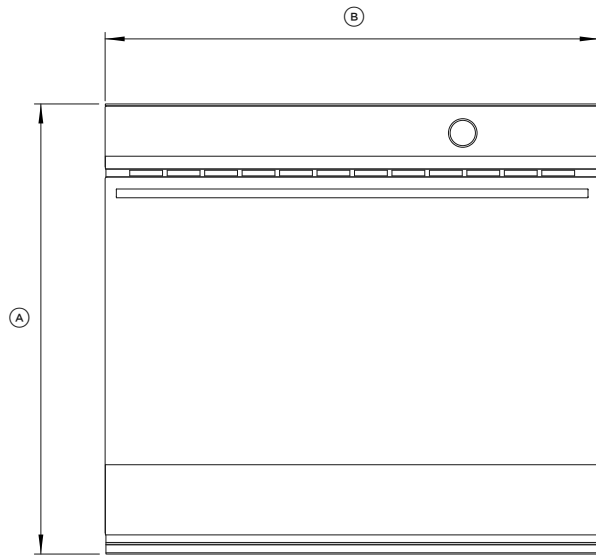
AFTER INSTALLATION

IMPORTANT!

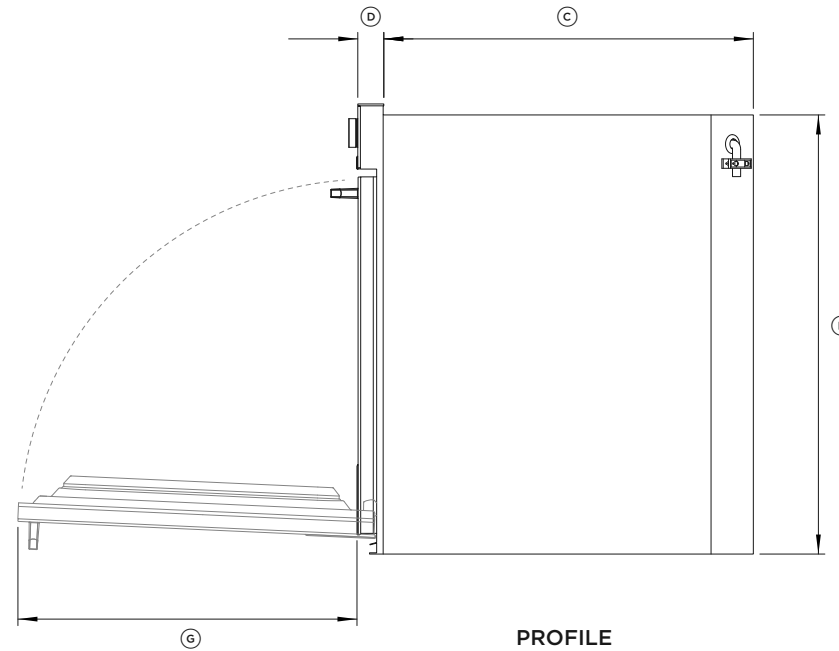
Please take extra care not to damage the lower trim of the oven during installation. The trim is important for correct air circulation and allows the door to open and close without obstruction. The manufacturer does not accept any responsibility for damage resulting from incorrect installation.

- the oven door(s) can open fully without obstruction.
- do not seal the oven into the cabinetry with silicone or glue. This makes future servicing difficult. Fisher & Paykel will not cover the costs of removing the oven, or of damage caused by this removal.
- the power supply cable does not touch any hot metal parts.
- the isolating switch is easily accessible to the customer with the oven installed.
- you complete the 'Final checklist' at the end of the installation.
- if, after following the instructions given, correct performance cannot be achieved, please contact your nearest Fisher & Paykel Authorized Service Center, Customer Care, or contact us through our local website listed at the end of this document.

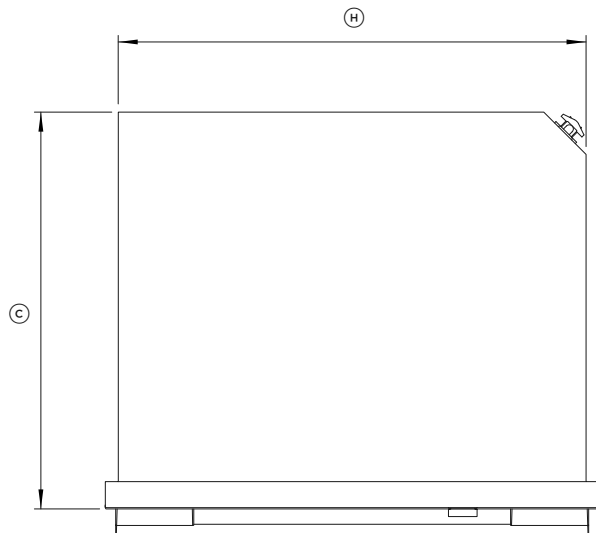
PRODUCT DIMENSIONS – SINGLE OVENS



FRONT



PROFILE

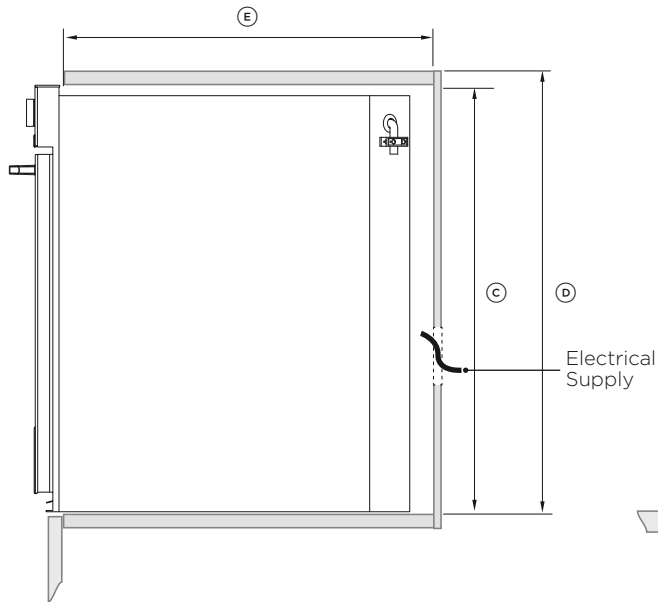


PLAN

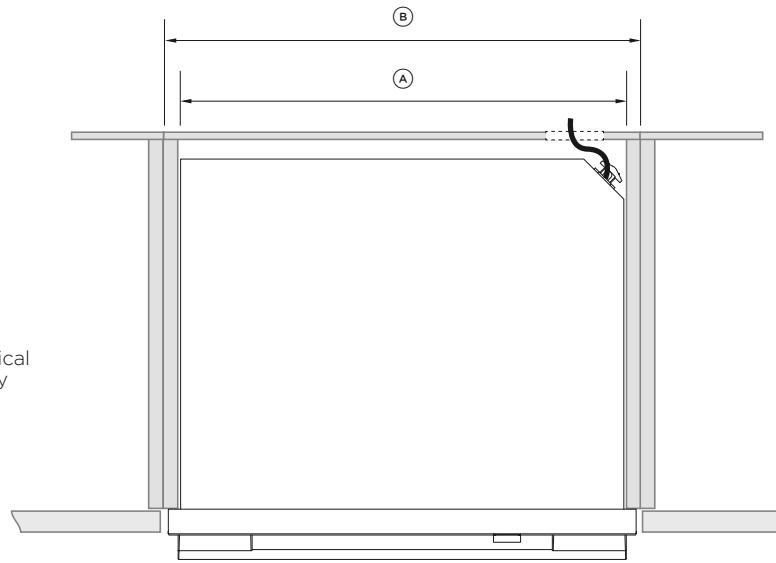
PRODUCT DIMENSIONS	OB76SD
	MM
Ⓐ Overall height of product	690
Ⓑ Overall width of product	760
Ⓒ Overall depth of product (excl. handle and dials)	610
Ⓓ Depth of oven front and control panel (excl. handle and dials)	40
Ⓔ Depth of chassis (does not include oven front)	569
Ⓕ Height of chassis	675
Ⓖ Depth of door (open) (measured from front of door)	550
Ⓗ Overall width of chassis	720

Note: If flush installing, you need to replace the lower trim with the supplied long trim at the base of the oven, and the depth of the control panel Ⓓ with the fitted spacer is larger than conventional ovens. Ensure you have created a 42mm recess in cabinetry.

CABINETY DIMENSIONS – SINGLE OVENS

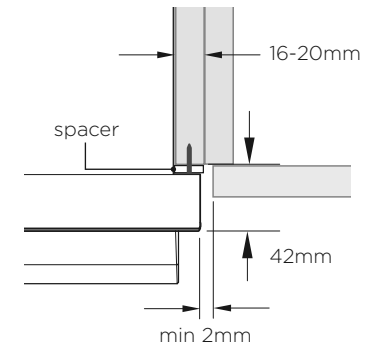


PROFILE

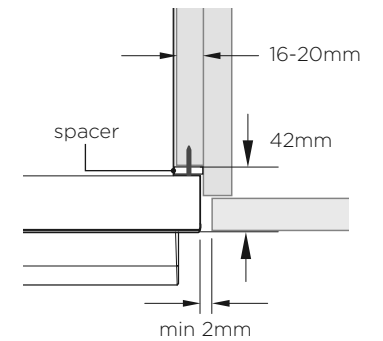


PLAN

PROUD INSTALL



FLUSH INSTALL



CABINETY DIMENSIONS

OB76SD

MM

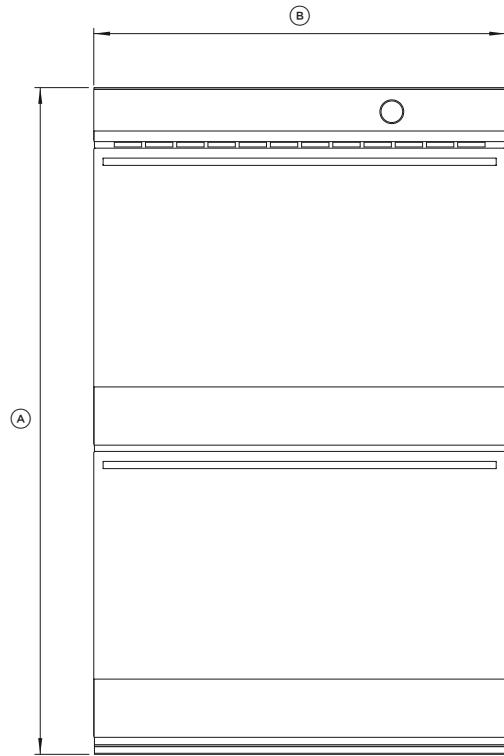
(A) Minimum inside width of cavity	724
(B) Overall width of cabinetry	764
(C) Minimum inside height of cavity	681
(D) Overall height of cabinetry	693
(E) Minimum inside depth of cavity	
• Proud install	575
• Flush install	614

Notes:

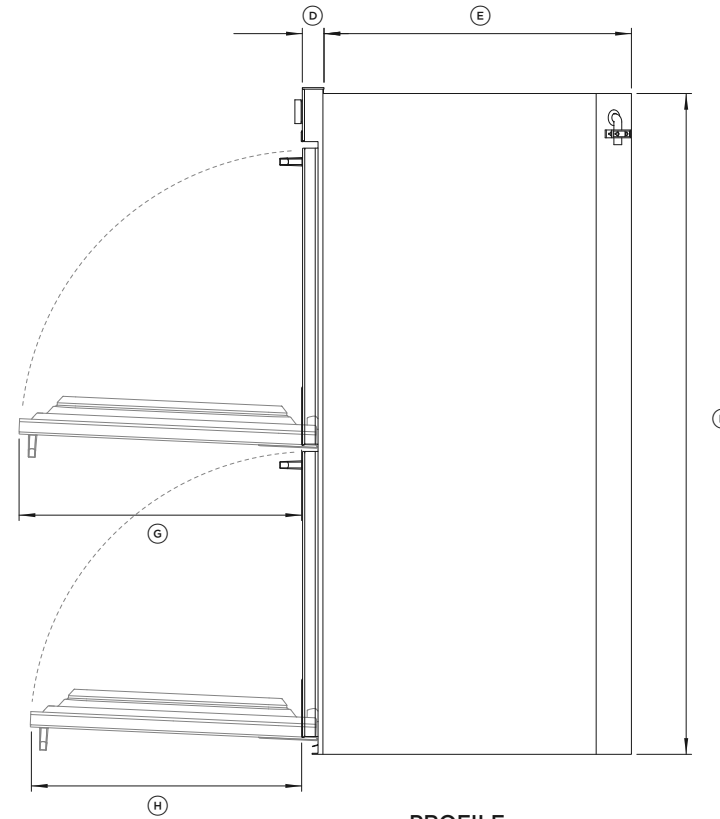
If installing a cooktop above the oven, ensure adequate clearance is provided for the cooktop as per the cooktop manufacturer's instructions.

Ensure the cavity is completely sealed with no gaps. This is to ensure the oven cooling system functions correctly.

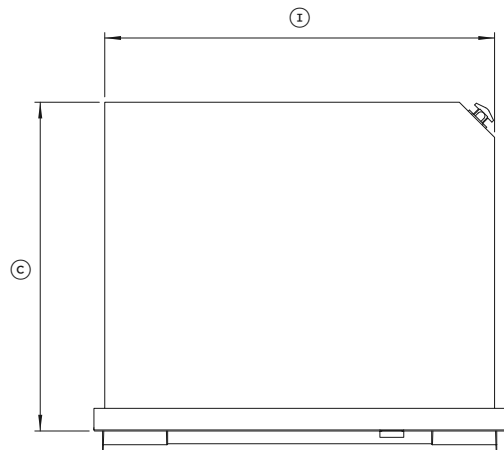
PRODUCT DIMENSIONS – DOUBLE OVENS



FRONT



PROFILE



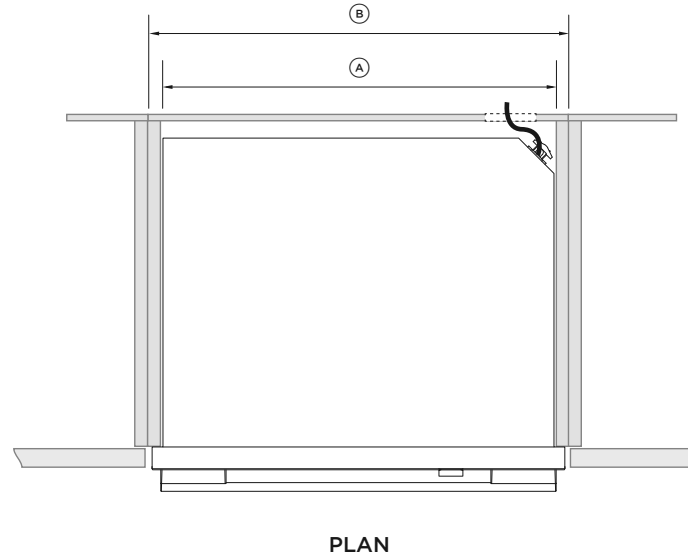
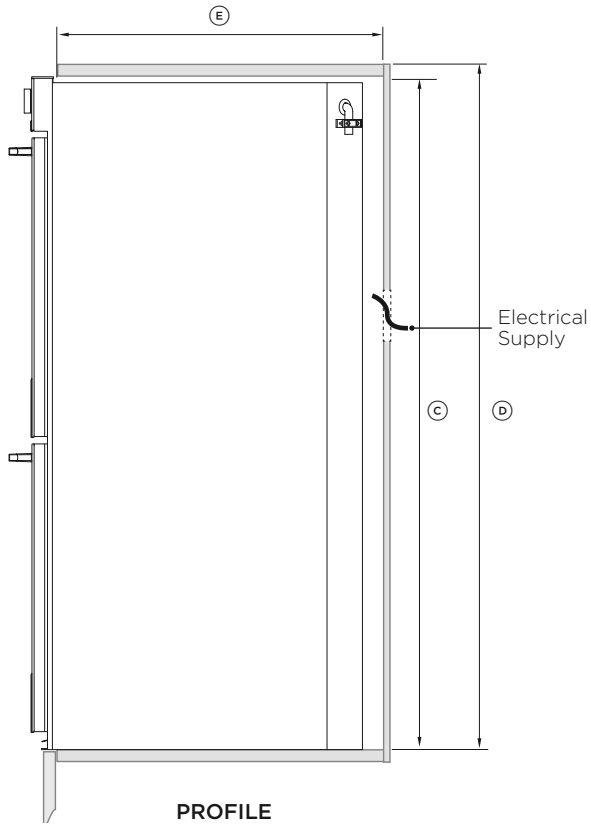
PLAN

PRODUCT DIMENSIONS

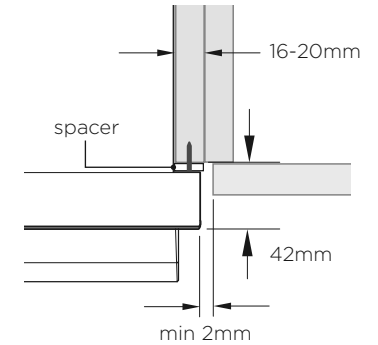
	OB76DD
	MM
Ⓐ Overall height of product	1232
Ⓑ Overall width of product	760
Ⓒ Overall depth of product (excl. handle and dials)	610
Ⓓ Depth of oven front and control panel (excl. handle and dials)	40
Ⓔ Depth of chassis (does not include oven front)	569
Ⓕ Height of chassis	1218
Ⓖ Depth of upper door (open) (measured from front of door)	550
Ⓗ Depth of lower door (open) (measured from front of door)	530
Ⓘ Overall width of chassis	720

Note: If flush installing, you need to replace the lower trim with the supplied long trim at the base of the oven, and the depth of the control panel Ⓒ with the fitted spacer is larger than conventional ovens. Ensure you have created a 42mm recess in cabinetry.

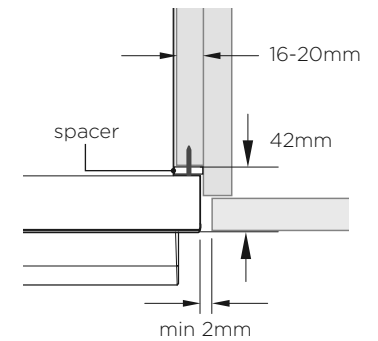
CABINETY DIMENSIONS – DOUBLE OVENS



PROUD INSTALL



FLUSH INSTALL



CABINETY DIMENSIONS

- (A) Minimum inside width of cavity
- (B) Overall width of cabinetry
- (C) Minimum inside height of cavity
- (D) Overall height of cabinetry
- (E) Minimum inside depth of cavity
 - Proud install
 - Flush install

OB76DD

MM

(A) Minimum inside width of cavity	724
(B) Overall width of cabinetry	764
(C) Minimum inside height of cavity	1224
(D) Overall height of cabinetry	1236
(E) Minimum inside depth of cavity	
• Proud install	575
• Flush install	614

Notes:

If installing a cooktop above the oven, ensure adequate clearance is provided for the cooktop as per the cooktop manufacturer's instructions.

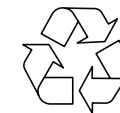
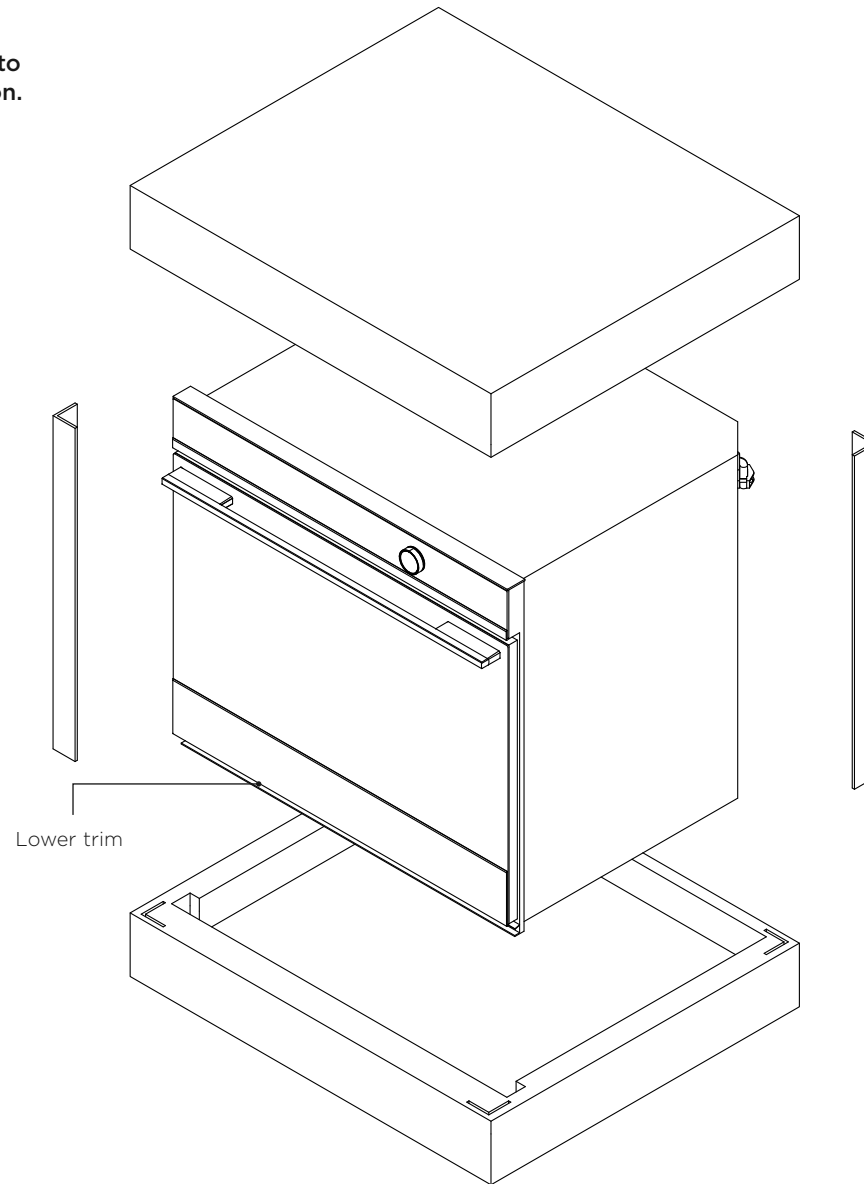
Ensure the cavity is completely sealed with no gaps. This is to ensure the oven cooling system functions correctly.

UNPACKING THE OVEN

Single model shown for illustration purposes only

IMPORTANT!

- When you remove the oven from the carton be careful not to damage the lower trim. The trim is important for both ventilation and to ensure the door opens fully without obstruction.
- Ensure you remove the Long Trim from the packaging.



Remove the accessories box from the top of the oven and set aside. Recycle responsibly.

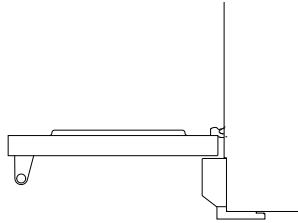
REMOVING AND REFITTING THE DOOR(S)

IMPORTANT!

- Take care, the oven door is heavy.
- Do not lift the oven door by its handle. Doing so may damage the door.
- Ensure the oven and the door are cool before you begin to remove the door.
- Before removing the door, ensure there is a large enough clear, protected surface in the kitchen to rest the door on.

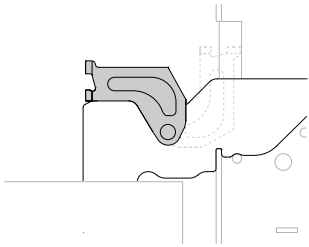
To remove the door(s)

①



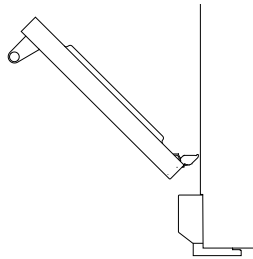
Open the door completely.

②



Open the hinge locks fully on both sides

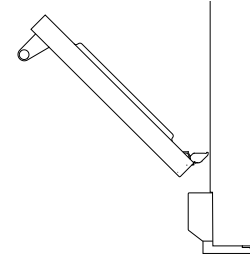
③



Holding the door on both sides, lift door back up to 45° and carefully pull the door out and away from the hinges.

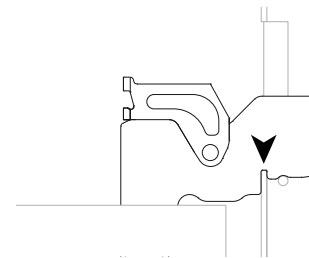
To refit the door(s)

①



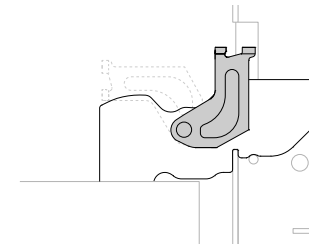
Holding the door at 45°, carefully align the hinge tongues with the hinge slots. Push the door in until you feel the latches locate into position on each side.

②



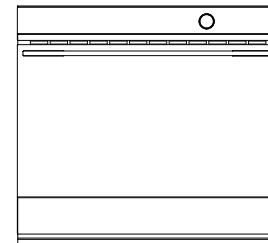
Open the door completely and ensure both hinges are secured by the correct notches.

③



Rotate the locks up into the closed position ensuring they rest inside the slots completely. Note: Incorrect installation will prevent door from correctly sealing.

④



Close the oven door ensuring that when closed, the door is vertical and parallel to any surrounding cabinetry

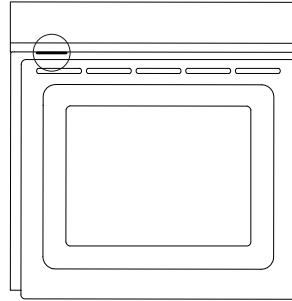
ELECTRICAL CONNECTION TO JUNCTION BOX



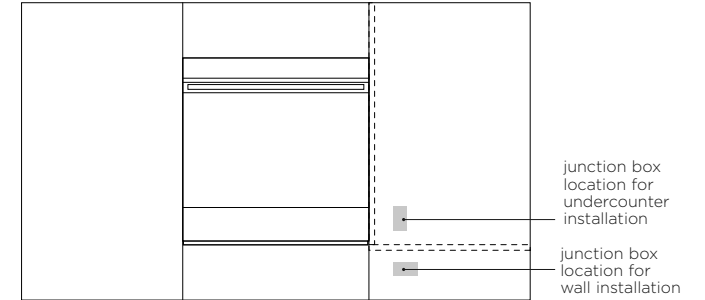
This oven must be earthed.

MODEL	MAX POWER	HZ	VOLTAGE
OB76SD	4.25 kW	50 Hz	220 - 240 V~
OB76DD	8.50 kW	50 Hz	220 - 240 V~

Nameplate location



Junction box locations



IMPORTANT!

- This oven must be connected to the mains power supply only by a suitably qualified person.
- This oven must be earthed.

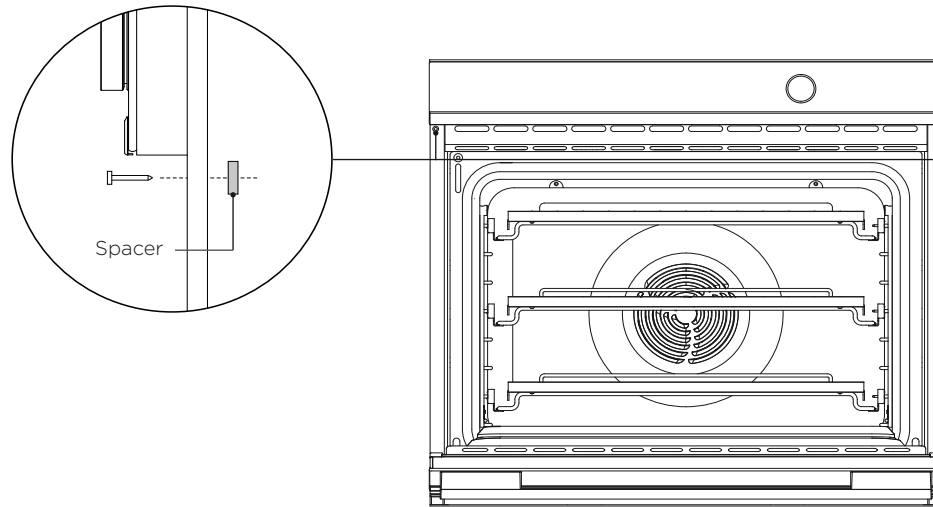
We recommend that the power outlet is located in the right rear corner of the cabinet cavity. This allows the power supply cable to sit inside the rear chamfered corner of the oven and prevents it being jammed between the cabinet wall and rear of the oven.

Before connecting the oven to the mains power supply, check that:

- the domestic wiring system is suitable for the power drawn by the oven (as specified on the rating plate)
- the voltage corresponds to the value given on the rating plate.

Note: For connection to the terminal block the maximum conductor size is 6mm².

SECURE THE OVEN TO THE CABINETY



IMPORTANT!

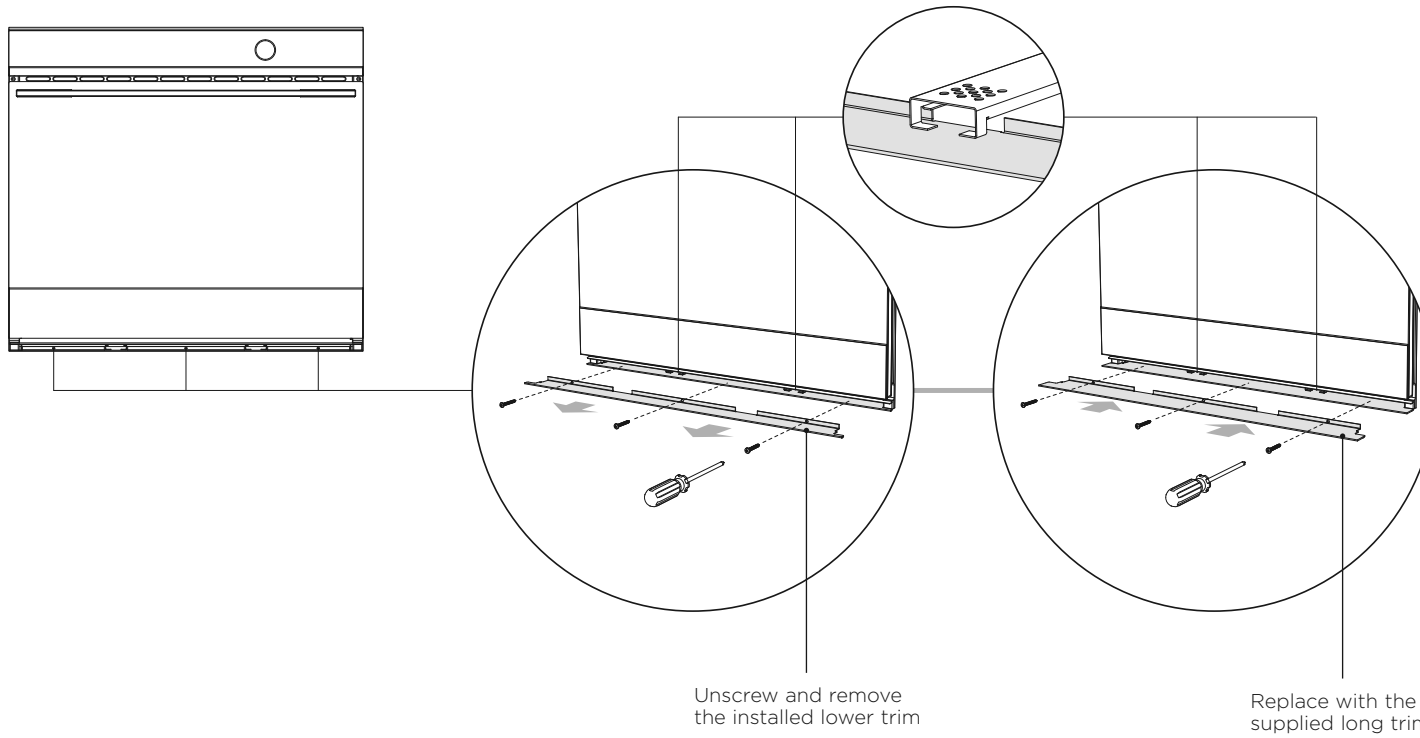
- Do not lift the oven by the door handle.
- Do not over-tighten the screws.
- Do not seal the oven into the cabinetry with silicone or glue. This makes future servicing difficult. Fisher & Paykel will not cover the costs of removing the oven, or of damage caused by this removal.

- ① Position the oven in the prepared cavity.
- ② Open the oven door fully.
- ③ Mark and pre-drill the screw holes.
- ④ Use the supplied screws to secure the oven to the cabinetry. Ensure supplied spacer is fitted between oven and cabinetry.

Double oven models only:

There are 4 screws and spacers provided (two per side).

FLUSH INSTALLATION ONLY – REPLACE THE LOWER TRIM WITH THE SUPPLIED LONG TRIM



FINAL CHECKLIST

TO BE COMPLETED BY THE INSTALLER

- Ensure the oven is level and securely fitted to the cabinetry.
- Check the lower trim is undamaged.
- Open the (lower) oven door slowly until it is fully open and check there is adequate clearance between the bottom of the door and the lower trim. This is to ensure correct air circulation. Should the lower trim become damaged, straighten the trim and ensure the oven door opens fully without obstruction.
- Ensure any cable ties and internal packaging has been removed from the oven cavity.
- Ensure all oven vents and openings are clear and free of any obstruction or damage.

IMPORTANT!

Failure to ensure all oven vents are clear may result in poor product performance.

- Ensure the isolating switch is accessible by the customer.

TEST OPERATION:

- Turn the power to the oven on. The display should light up and show **24hr**. Set the clock following the instructions in the 'Quickstart Guide'.
- Turn the oven function to 'Bake'. Inside the oven cavity, the oven light should come on. Air should blow out of the vent at the bottom of the oven.
- Have you demonstrated the basic operation to the customer?
- Turn the temperature to 50°C. The temperature indicator should come on. After five minutes, open the oven door: the air inside should feel warm. Turn the oven function dial back to OFF.

Complete and keep for safe reference:

Model _____

Serial No. _____

Purchase Date _____

Purchaser _____

Dealer Address _____

Installer's Name _____

Installer's Signature _____

Installation Company _____

Installation Date _____

FISHERPAYKEL.COM

© Fisher & Paykel Appliances 2019. All rights reserved.
The product specifications in this document apply to the specific products and models described at the date of issue. Under our policy of continuous product improvement, these specifications may change at any time. You should therefore check with your Dealer to ensure this document correctly describes the product currently available.

NZ AU

591976B 09.19