

ACUSTICO®
LIGHTING

INSTALLATION INSTRUCTIONS
Opera Pendant: Medium Globe Model

INSTALLATION INSTRUCTIONS

Opera Pendant: Medium Globe Model

PARTS:

Canopy (incl. ceiling bracket)
Rods x 3 (500mm, 300mm, and 200mm)
Light fitting
200mm or 250mm glass sphere

Not included: E27 Globe - Recommended max. wattage 12W (LED).
Please note: There are no serviceable parts. Please return to manufacturer for any required repairs.

PRE-ASSEMBLY

Ensure there is adequate support in the ceiling to hold minimum 8 kilograms of weight.

INSTALLATION

Must be installed by a licensed electrician in accordance with AS/NZS 3000.

MUST USE LED E27 BULB - MAX 12W

PLEASE NOTE:

There are no serviceable parts. Please return to manufacturer for any required repairs.

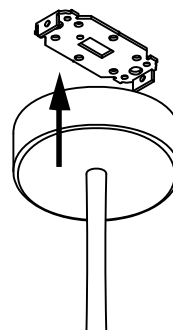
1.

ASSEMBLY OF SUSPENSION ROD

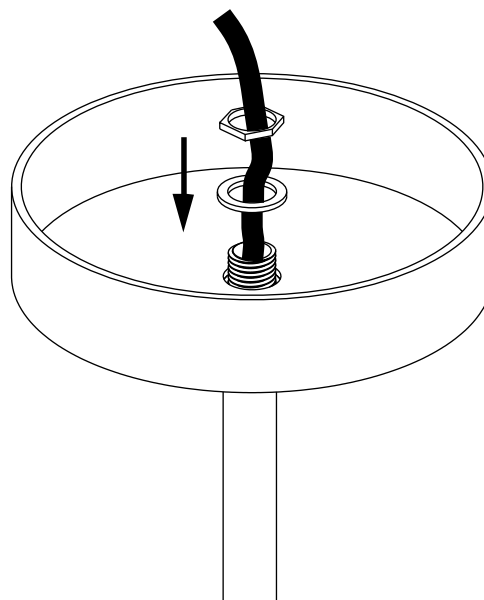
Ascertain correct length required from ceiling to light fitting. Discard unwanted rod lengths.

Thread cord through each rod, one at a time.

Screw the rod into the nipple screw connector, thread cord through and repeat until desired length is reached.



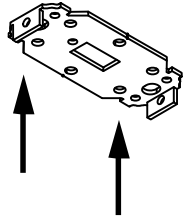
Unscrew bracket from canopy.



Screw rod into canopy using nut and washer.

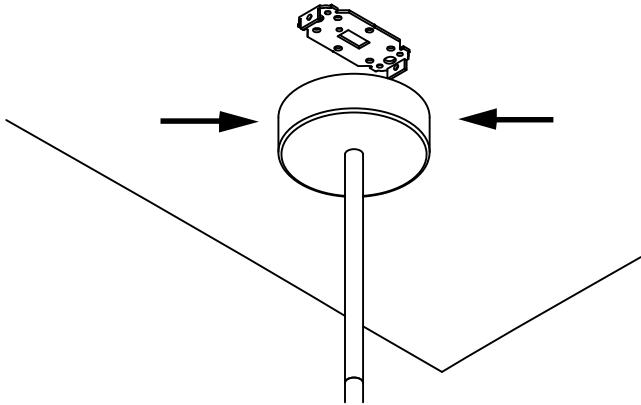
2.

CEILING INSTALLATION



Screw bracket into ceiling.

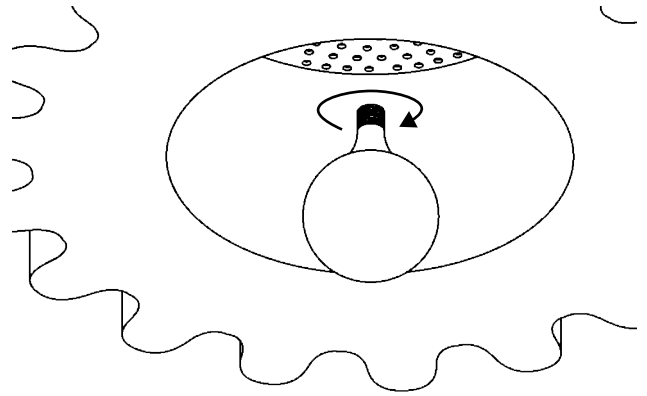
Connect blue and brown wires from lighting unit into mains power.



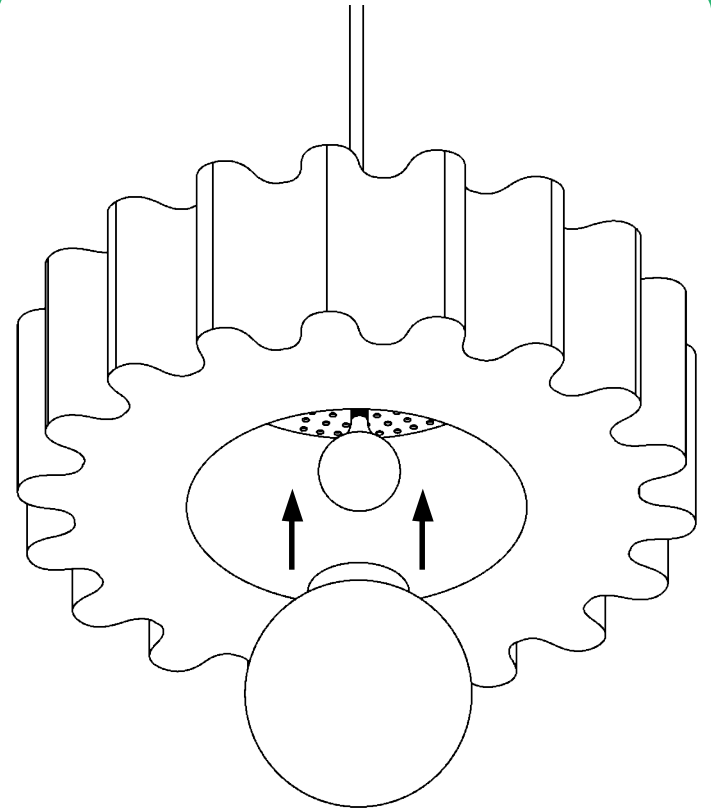
Screw canopy of light fitting over bracket, using the two screws provided.

3.

ASSEMBLY OF GLOBE & GLASS SPHERE



Screw bulb into light fitting.



In one hand, pull 2 springs downward to create tension, place the glass sphere over the springs and release slowly.

Ensure both springs fit inside the sphere opening before letting go.