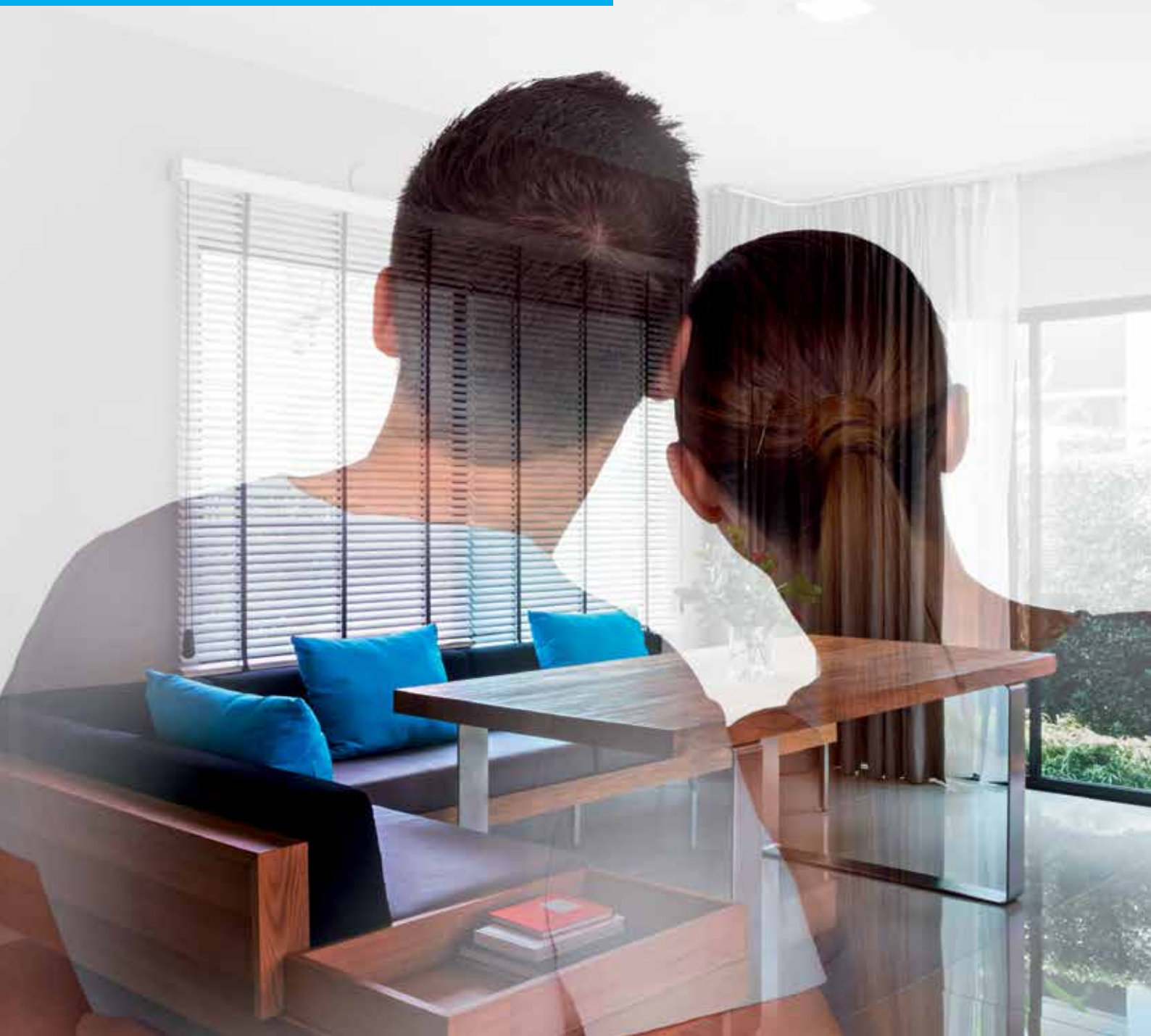


Knauf Product Catalogue

2019



Disclaimer

Products manufactured and systems designed by Knauf are produced in accordance with the Building Code of Australia and relevant Australian Standards. Information in this document is to be used as a guide only and is subject to project approval as many aspects of construction are not comprehensively covered. It is also the responsibility of the project to determine if Knauf's products and systems are suitable for the intended application. Knauf Plasterboard Pty Ltd will not be held responsible for any claims resulting from the installation of its products or other associated products not in accordance with the recommendations of the manufacturer's technical literature or relevant Australian Standards.

Knauf technical information is regularly updated. To ensure this document is current with the latest information, visit:

knauf.solutions or

please contact Knauf's Customer Service Centre on

1300 724 505

(Knauf Plasterboard) or

1300 725 675

(Knauf Metal)

Warranty

Knauf Plasterboard and Knauf Metal products are guaranteed by a 10 Year Warranty.

Visit knauf.solutions/warranty

Version 8

August 2019

About Knauf

Knauf has manufacturing facilities around the world and offers a wide range of solutions for lightweight construction.

These include metal framing, insulation, plasterboard and specialty linings, adhesive, jointing compounds, cornice, wet area sealant along with fire and acoustic sealants.

Knauf's comprehensive range of quality wall and ceiling lining products are developed with specific characteristics to enhance performance and provide fire, water, acoustic and decorative solutions to all constructions projects.

Knauf is committed to providing excellent technical service and sales support to continually improve the quality of current products and systems, and to identify innovative products, systems and solutions.

In Australia, Knauf has manufacturing facilities located in Sydney, Melbourne, Bundaberg and Brisbane which supply plasterboard, compounds, cornice and associated products and systems to the Australian building industry through its national distribution network.



CERTIFIED PRODUCTS



A range of Knauf products are certified by Global GreenTag to GreenRate Level A, a product certification scheme recognised by the GBCA. Level A recognition will achieve 100% of the Green Star points within the relevant materials categories. Any product which features the tag is certified.

Contents

KNAUF METAL RANGE	4
PLASTERBOARD	8
SYSTEMS	11
PERMAROCK®	15
ACOUSTIC WALL AND CEILING LININGS	16
DECORATIVE CEILING LININGS	20
CORNICE	21
COMPOUNDS	22
ACCESSORIES	25

PRODUCT PROPERTIES



Water Resistant



Fire Resistant



Impact Resistant



Sound Resistant



X-Ray Resistant



Sound Absorbing



Air Purifying



Interior Design



Mould Resistant



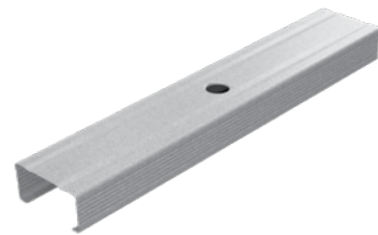
Smart Solutions

METAL

Wall Framing Systems - Stud, Track, Track DH, Track Flexible, Track Nogging

Knauf Steel Wall Framing Systems are robust, versatile and durable products suitable for use in all internal and external framing applications. The wide variety of system components - from Stud and Track to Track DH (deflection head), Track Nogging and Track Flexible - are available in multiple widths, lengths and gauges, ensuring there is a Knauf Steel Wall system suitable for all framing applications.

Width (mm)	BMT (mm)	STUD							TRACK	TRACK DH	
		Length (mm)							Length (mm)	Length (mm)	
		2400	2700	3000	3600	4200	4800	6000	7200	3000	3000
51	0.5	•	•	•	•					•	
	0.55										
	0.7									X	X
	0.75			X	X	X					
64	0.5	•	•	•	•	•	•	X	•		
	0.55									•	
	0.7								•	•	
	0.75	X	•	•	•	•	•	•			
	1.15								•	•□	
76	0.5								•		
	0.55	•	•	•	•	•	•	X		•	
	0.7								•	•	
	1.15	X	•	•	•	•	•	•	•	•□	
92	0.5								•		
	0.55	•	•	•	•	•	•	X		•	
	0.7								•	•	
	0.75	•	•	•	•	•	•	X			
	1.15								•	•□	
150	0.75		•	•	•	•	•	X	•	•	
	1.15								•	•□	



□ Track DH Slotted also available in this specification
X Lead Times may apply

Width (mm)	BMT (mm)	TRACK NOGGING			
		Length (mm)	Spacing (mm)		
				300	450
64	0.70	3670	X	•	•
76			X	•	•
92			X	•	•
150			X	•	•

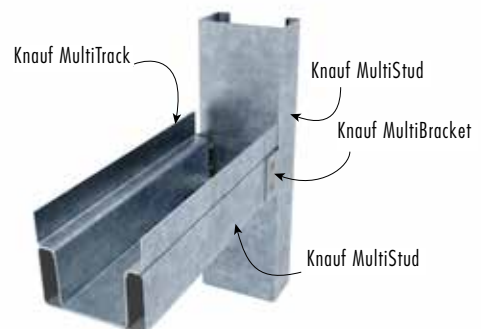
Opening Framing System - MultiStud, MultiTrack, MultiBracket

Secure and simple to install, MultiStud's assembly with MultiTrack produces jambs, headers and sills for door and window openings. The simplified drop-in installation eliminates the need for screw-fixed built-up sections.

- Rapid construction of openings for doors, windows, etc
- Simplified drop-in installation, saving time and labour
- Safer; less working at heights

Width (mm)	Height (mm)	BMT (mm)	Length (mm)		
			2800	3000	3600
MULTISTUD					
92	51	1.15	•	•	•
MULTITRACK					
95	78	1.15	•	•	•

Width (mm)	Height (mm)	Depth (mm)	BMT (mm)
MULTIBRACKET			
95	36	51	1.15



Knauf Acoustic Stud

The Knauf Acoustic Stud has a special profile that can provide the acoustic performance of a staggered stud wall with the ease of construction of a standard stud wall. Use Knauf Acoustic Studs to create robust walls with a minimal footprint that easily achieve great acoustic separation. Refer to the Knauf Technical Manual for wall systems including a range that efficiently meet the acoustic requirements of the Building Code of Australia.

Install plasterboard horizontally onto Knauf Acoustic Studs which are friction fitted into Knauf Track and Knauf Track DH and use heavy plasterboard such as SoundShield for best results.

Width (mm)	BMT (mm)	KNAUFSTISTUD							
		Length (mm)							
		2400	2700	3000	3600	4200	4800	6000	7200
92	0.55	X	•	•	•	•	X	X	X

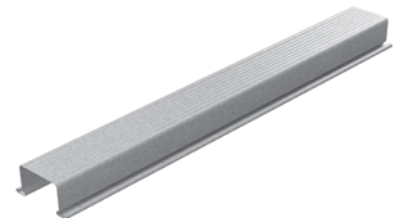
X Lead Times may apply



Wide Faced Furring Channel

Guarantee performance and ease of installation by using the brand new 60mm Wide Face Furring Channel. Exclusive to Knauf and vital when installing Stratopanel. It may also be used for Permarock and Heradesign ceilings.

Width (mm)	Depth (mm)	BMT (mm)	Length (mm)		
			3600	4800	6000
60	28	0.42	•	•	•



Opening Framing Components - Jamb Stud

Primarily used for door and window openings, Knauf Jamb Stud comes in 92mm profile in 1.5mm BMT. The use of Knauf Jamb Stud avoids the additional time and materials associated with boxed studs along with delivering a structurally sound frame to surround doors and windows.

Knauf Jamb Stud is also commonly used in external wall frame designs particularly when tall wall heights are involved.

Width (mm)	BMT (mm)	Length (mm)		
		2800	3000	3600
92	1.50	•	•	•

X Lead Times may apply



Concealed Ceiling System

Knauf concealed ceiling systems consist of robust, lightweight products suitable for use in both direct fix and fully suspended concealed ceiling systems. Knauf Metal concealed ceiling systems can be used for both fire rated and non-fire rated applications, and have been designed to meet all relevant Australian Standards as specified by the BCA.

The range includes Furring Channel, Top Cross Rail and Battens with Top Hats and associated fixings and clips. The wide variety of products available ensures there is a concealed ceiling system configuration suitable for all spanning, fire rated and acoustic and design requirements.

Width (mm)	Length (mm)							Width (mm)	Leg Height (mm)	BMT (mm)	Length (mm)			
	2400	2700	3000	3600	4800	6000	6100				3600	6000	7200	
FURRING CHANNEL								TOP HAT						
18	○	○	○	○	○	○	○	50	15	0.75	•			
28	•	•	•	•	•	•	•		15	1.15	•	•		
TOP CROSS RAIL									25	0.75	•			
25				○	○	○			25	1.15	•	•		
38					•				35	0.75		•	•	
FURRING CHANNEL TRACK									35	1.15	•	•	•	
18			•						50	1.15		•	•	
28			•						75	35	1.15	X	X	X
DOMESTIC BATTEN									120	1.15		•	•	
16					•	•			○ Furring Channel Curve and Top Cross Rail Curve are also available in this specification					
CYCLONIC BATTEN								X Lead Times may apply						
22							•							
35					X	X								



Grid Ceiling Systems - AMF Ventatec

Knauf AMF Ventatec is a practical grid ceiling system engineered for fast assembly on site.

Through the configuration of cross tees and main tees, AMF Ventatec enables a sturdy, attractive grid ceiling to be constructed with ease. For more information visit www.amfceilings.com.au.

VENTATEC WALL ANGLE				VENTATEC MAIN RUNNER				VENTATEC CROSS TEE		
Height (mm)	Length (mm)			Height (mm)	Length (mm)			Height (mm)	Length (mm)	
	600	1200	3600		600	1200	3600		600	1200
24			•	38			•	33	•	
								38		•



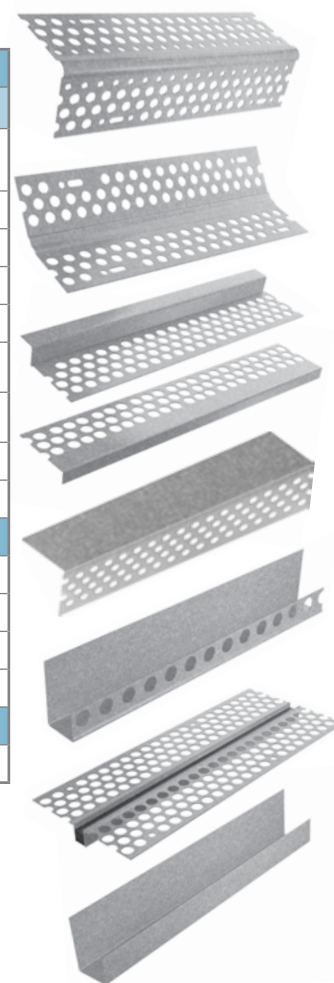
Beads and Finishing Sections

Knauf has a range of finishing sections which enable a clean and defined edge whilst also protecting corners from impacts, allowing builders to deliver a strong, beautiful finish that lasts. Knauf finishing sections are the perfect complement to the Knauf metal and plasterboard range.

Knauf bead and angle varieties are available for most common applications. Products have been designed to meet a variety of specified requirements and applications such as rendered corners, archways, shadowlines and expansion joints.

EXTERNAL ANGLE					RENDER BEADS					BACKING ANGLE						
Corner (°)	Length (mm)				Radius (mm)	Length (mm)				Width (mm)	BMT (mm)	Length (mm)				
	2400	2700	3000	3600		2400	2700	2800	3000			1800	2400	2700	3000	3600
90	•	•	•	•	1.5	•	•		•	25	0.70				X	X
135	•	•	•	X	2.5	•		•		28	0.30	•				
INTERNAL ANGLE					4.5	•		•		35	0.70				•	•
90	•	•	•	•	PLASTER STOPPING BEAD					40	0.30	•				
135	•	•	•	X	Size (mm)	Length (mm)				50	0.70				•	•
STOPPING ANGLE							2400	2700	3000			3600	1.15			
Size (mm)	Length (mm)				6			X		75	1.15					•
	2400	2700	3000	3600	10			•		100	1.15				X	
10			o		13			•		REVEAL BEAD						
13			•		16			X		25					X	X
16			•		PLASTER CASING BEAD					50					X	X
20			X		6			X		75					X	X
ARCH ANGLE					10			•		100					X	X
30			•		13			•		EXPANSION JOINT						
					16			X								•

o Shadowline Stopping Angle is also available in this specification
 X Lead Times may apply



Knauf Clips and Accessories

Knauf provides a wide range of accessories to complement our steel wall and ceiling systems including PVC finishing bead sections, Access panels and Clips.

Knauf Clips have been specially engineered for optimal performance with Knauf metal systems. The range includes standard clips, joiners and brackets as well as resilient clips for acoustic performance.

For the full Knauf Clip and Accessories range, please refer to our Knauf metal catalogue found here: www.knauf.solutions/product-brochures



Plasterboard Shield Range

MastaShield

MastaShield is a standard plasterboard for internal wall linings and ceilings. MastaShield suits a wide range of standard applications.

- > Light weight lining
- > Economical solution
- > Available under opt-in Carbon Neutral Program



Thickness (mm)	Width (mm)	Length (mm)	Weight* (kg/m ²)
10	1200	2400 2700 3000 3600 4200 4800 6000	6.4
	1350	2700^ 3000 3600 4200 4800 6000	
13	1200	2400 2700 3000 3600 4200^ 4800 6000	8.4
	1350	3000 3600 4800	

SpanShield

SpanShield is a 10mm reinforced plasterboard for ceilings. It is designed to span internal ceiling joists or furring channels up to 600mm without sagging.

- > Sag resistant ceiling solution
- > Light weight ceiling



Thickness (mm)	Width (mm)	Length (mm)	Weight* (kg/m ²)
10	1200	3000 3600 4200 4800 6000	6.7
	1350	3600 4800^ 6000	



WaterShield

WaterShield is a water resistant plasterboard suitable for use in internal wet areas and as a substrate for tiles.

- > Moisture resistant solution
- > Protects framing members against water damage
- > Available under opt-in Carbon Neutral Program



Thickness (mm)	Width (mm)	Length (mm)	Weight* (kg/m ²)
10	1200	2400 2700 3000 3600 4200	7.5
	1350	3600 4800	
13	1200	2700 3000	9.4



SoundShield

SoundShield is a plasterboard with a high density core providing excellent sound insulation for residential and commercial applications. Used in wall and ceiling systems, SoundShield provides superior levels of sound resistance.

- > Superior sound resistant solution
- > Reduces noise transfer between rooms



Thickness (mm)	Width (mm)	Length (mm)	Weight* (kg/m ²)
13	1200	3000	12.3

Special sizes and other edge types available, minimum order quantity and lead times apply. *Weights indicated are nominal ^Not available in all locations Please refer to knauf.solutions for availability by location



FireShield

FireShield is a fire resistant plasterboard for internal lining applications where a Fire Resistance Level (FRL) is required.

- Fire resistant solution
- Good sound insulation
- Available under opt-in Carbon Neutral Program



Thickness (mm)	Width (mm)	Length (mm)	Weight* (kg/m ²)
13	1200	2700 3000 3600	10.5
	1350	3600 [^]	
16	1200	2400 [^] 2700 [^] 3000 3600	13.0
	1350	3600 [^]	



OPAL

OPAL is a high performing plasterboard for walls and ceilings and incorporates impact resistance and superior sound insulation properties.

OPAL's 'snow paper' offers a smooth, white premium finish for walls and ceilings.

- Reduce transfer of sound between rooms to improve indoor environment quality
- Design beautiful spaces with a smooth premium finish
- Extra fire resistance



Thickness (mm)	Width (mm)	Length (mm)	Weight* (kg/m ²)
10	1200	4800, 6000	8.4
	1350		



ShaftLiner

ShaftLiner is a 25mm fire resistant plasterboard designed for shafts and ducts in multi-level constructions. ShaftLiner is also used in the InterHome System.

- Fire resistant solution

Thickness (mm)	Width (mm)	Length (mm)	Weight* (kg/m ²)
25	600	3000 3600 [^]	20.6



CurveShield

CurveShield is a thin flexible plasterboard that can be used to create curved walls and ceilings.

- Design solution for concave and convex surfaces



Thickness (mm)	Width (mm)	Length (mm)	Weight* (kg/m ²)
6.5	1200	3600	4.9

Special sizes and other edge types available, minimum order quantity and lead times apply. *Weights indicated are nominal [^]Not available in all locations Please refer to knauf.solutions for availability by location

Plasterboard

Smart, Active Technology



MultiShield

MultiShield is a plasterboard with the combined benefits and properties of FireShield and WaterShield. It is suitable for use in wet areas and external walls behind cladding where an FRL (Fire Resistance Level) is required.

- > Single lining solution avoiding extra layers
- > 3 in 1 plasterboard
- > Fire and water resistant with good sound insulating properties



Thickness (mm)	Width (mm)	Length (mm)	Weight* (kg/m ²)
13	1200	3000 3600	10.7
	1350	4200	
16	1200	3000	13
	1350	3000	



TRUROCK

TruRock is the lining of choice for high performance commercial construction.

TruRock incorporates impact, water and fire resistance as well as sound insulating properties. Durable and easy to handle TruRock is economical and ideal for multi-purpose applications.

- > Perfect all-round solution
- > 4 in 1 plasterboard
- > Impact, fire and water resistant with good sound insulating properties



Thickness (mm)	Width (mm)	Length (mm)	Weight* (kg/m ²)
13	1200	3000 3600	12.3
	1350	4200	
16	1200	3000	14.8



TRUROCK HD

TruRock HD has the added benefits of mould resistance and enhanced impact performance.

In addition to its heavy duty paper, TruRock HD has a continuous fibreglass mesh embedded in the high density core limiting damage even under large impact forces.

TruRock HD provides premium impact protection and mould resistance.

- > Premium all-round solution
- > Mould resistance and high performance impact resistance
- > Impact, fire and water resistant with good sound insulating properties

Thickness (mm)	Width (mm)	Length (mm)	Weight* (kg/m ²)
13	1200	3000 3600	12.3

Special sizes and other edge types available, minimum order quantity and lead times apply. *Weights indicated are nominal

Please refer to knauf.solutions for availability by location

Systems

GIB X-Block



GIB X-BLOCK®

GIB X-Block® is a unique lead free plasterboard designed to provide X-ray radiation protection in X-ray diagnostic rooms within medical facilities and dental clinics. It must be installed in conjunction with the Knauf X-ray shielding system using GIB X-Block® Jointing Compound.

- ▶ Lead-free X-ray shielding solution
- ▶ Easy to use compared with traditional installation procedures

Thickness (mm)	Width (mm)	Length (mm)	Weight* (kg/m ²)
12.5	1200	3000	15.3

*Weights indicated are nominal

GIB X-BLOCK® JOINTING COMPOUND

GIB X-Block® Jointing Compound has been specifically formulated to give lead equivalent joints on walls and ceilings when using GIB X-Block® plasterboard. An air drying powder compound, it must be used for the first and second coats of X-Block systems, completely filling the recess.

- ▶ X-ray shielding solution
- ▶ Lead free
- ▶ Easy to use compared with traditional installation procedures

25 kg bag



OPAL

WITH LEVEL+ TECHNOLOGY



OPAL

OPAL plasterboard incorporates impact resistance and superior sound insulation properties, providing durable and low maintenance surfaces, as well as quiet living spaces like no other. OPAL offers a smooth premium finish for stylish, graceful walls and ceilings.

- ▶ High performance plasterboard and compounds system, for walls and ceilings
- ▶ Smooth premium finish that creates a uniform surface with sound insulation and impact resistance
- ▶ Perfect board to make your house a home



Thickness (mm)	Width (mm)	Length (mm)	Weight* (kg/m ²)
10	1200	4800, 6000	8.4
	1350		

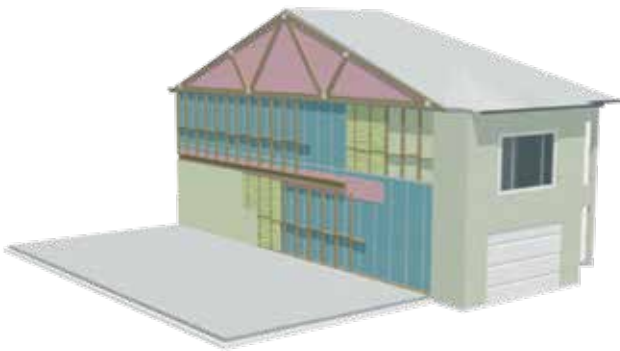


*Weights indicated are nominal

Interhome

INTERHOME

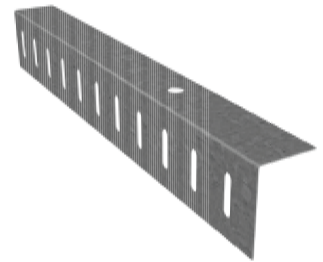
InterHome is a separating wall system suitable for adjoining residential dwellings such as duplexes or townhouses. InterHome has been designed to satisfy the fire safety and sound insulation requirements of the National Construction Code (NCC) for separating walls.



SLOTTED ANGLE **NEW**

The Knauf Slotted Angle is used to secure H-Studs under a soffit when the InterHome system is installed between slabs. It allows slab deflection and easy installation of ShaftLiner panels.

- [InterHome for high rise apartments](#)
- [Easy installation of H-Studs and ShaftLiner](#)



INTERHOME H-STUD

The InterHome H-Stud must be used in the InterHome System to support 25mm ShaftLiner in the central fire barrier of InterHome Systems.

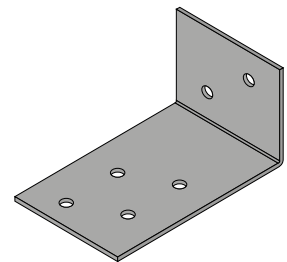
- [Easy to use](#)
- [Cost effective solution](#)



Quantity per pallet (studs)	Length per stud (m)	BMT or gauge (mm)
100	3.0, 3.6	0.55 BMT

INTERHOME ALUMINIUM CLIP

The InterHome Aluminium Clip forms an integral part of the InterHome System. Installed to support the central fire barrier, it must be used to maintain the fire performance of the system with 2 screws per face.



Quantity per bag (clips)	Quantity per box (bags)	Thickness (mm)
150	6	1.6

GOT YOUR HANDS FULL? LET US OFFER AN ONLINE HAND



The Knauf Knowhow Suite makes your life easier

Our architectural tools and technical support services provide customised solutions to your unique challenges, saving you precious time.

Our *Knowhow Suite* was developed through dialogue and a real understanding of your questions and requirements.

Our tools provide unrivalled value and expertise to your project management and specification process.

Make us part of your solution

For more information visit knauf.solutions
or call us on **1300 724 505**



The KNAUF logo, consisting of the word 'KNAUF' in a bold, blue, sans-serif font, slanted to the right.

PERMAROCK®

Permarock Cement Board System



PERMAROCK®

CEMENT BOARD INDOOR

PERMAROCK® is a solid, engineered wall and ceiling lining made from inorganic aggregated cement embedded with coated glass fibre mesh that is 100% water resistant making it an ideal tile substrate.

- Limited expansion or contraction when exposed to moisture
- High dimensional stability when exposed to temperature and humidity variations
- 100% water resistant, no swelling, disintegration or damage

Thickness (mm)	Width (mm)	Length (mm)	Weight* kg/m ²
13	1200	3000	11.0



PERMAROCK®

CEMENT BOARD OUTDOOR

PERMAROCK® Cement Board Outdoor is made of Portland cement and aggregated core, with coated glass fibre mesh embedded in back and front surfaces. Ends are square cut and both edges are reinforced and finished smoothly.

- Extreme weather resistance



Thickness (mm)	Width (mm)	Length (mm)	Weight* kg/m ²
13	1200	3000	16.0

PERMAROCK®

JOINT ADHESIVE (PU)

PERMAROCK® Joint Adhesive (PU) is used to glue PERMAROCK® sheet edges together on internal walls. The adhesive is applied to the sheet edges prior to fixing adjoining sheets.

- Easy application
- Strong bond
- Durable

310 ml cartridge



Knauf have partnered with Sto to provide the perfect reinforcing render to ensure maximum longevity for Knauf PERMAROCK® wall systems.

Sto is a world leader in the manufacture of high-quality renders and coating systems - built on German quality and now available in over 50 countries across the globe for complete facade protection.

StoArmat render systems are organic, cement-free, breathable, impact-resistant, highly flexible, and available in a wide variety of different coloured finishing renders; delivering a complete weather/water-tight and sustainable solution.

AIS Group and Masterwall are the authorised partners of Sto in Australia - find out more at:

www.masterwall.com.au

www.ais-group.com.au



*Weights indicated are nominal

Acoustic Wall and Ceiling Linings

DesignLine Range



STRATOPANEL

Stratopanel is a unique acoustic wall and ceiling lining incorporating the original CLEANEO Technology and offering a seamless monolithic look with continuous perforation. Stratopanel must be installed using **UNIFLOTT** Jointing Compound or alternatively Stratopanel is available with a compound free edge type (Linear) and screw caps.

- > Improves the overall quality of indoor air
- > Attractive seamless appearance
- > Excellent acoustic performance

Perforation pattern	Thickness (mm)	Size - Width x Length (mm)	Weight* (kg/m ²)	Edge Type	Perforation area (%)	Absorption** (α _w /NRC)
Random RE <small>NEW</small>	12.5	1199 x 1999	8.3 / 9.9	UFF	13.6	0.50 - 0.55
8/18 R		1188 x 1998	8.1 / 9.9	UFF / Linear [^]	15.5	0.60 - 0.70
12/25 R		1200 x 2000	7.9 / 9.6	UFF / Linear [^]	18.1	0.60 - 0.75
12/25 Q		1200 x 2000	7.4 / 9.1	UFF / Linear [^]	23.0	0.60 - 0.80
12/20/66 R		1188 x 1980	7.8 / 9.4	UFF / Linear [^]	19.6	0.55 - 0.70
8/15/20 R		1200 x 2000	8.7 / 9.9	UFF	9.9	0.45 - 0.50



DESIGNPANEL

Designpanel combines great design with air cleaning CLEANEO Technology and acoustic comfort by providing even sound absorption across the whole frequency range and thereby creating enhanced audibility and a high quality sound experience. Ideally suited in large open areas on both ceilings and walls and also perfect for high residential ceilings.

- > Broadband sound absorption and diffusion
- > High quality design with precision perforations in a range of 4 standard design patterns
- > 4 tapered edges for easy installation

Pattern	Thickness (mm)	Width (mm)	Length (mm)	Weight* (kg/m ²)	Edge Type	Perforation area (%)	Absorption** (α _w /NRC)
G2F	12.5	1200	2400	8.9	4 x Tapered edge	8.6	0.50-0.65
Q2F		1200		8.8		11.6	0.50-0.70
M2F		1200		8.9		8.6	0.50-0.60



* Weights indicated are nominal [^]Non-stock item-lead times and minimum order quantities may apply

** Depending on cavity/insulation and based on a minimum cavity of 30mm



Out-of-the-Box Solutions



Cleaneo Adit



Cleaneo Up

CLENEO ADIT

Cleaneo Adit is an elegant, out-of-the-box, acoustic solution in classic, white design: This cost-effective, robust individual absorber for the wall is impressive not just for its acoustical effect, but also for its visual appeal. It can be placed unobtrusively in a room or set a striking feature to suit the design requirements. Installation of Cleaneo Adit is no more difficult than hanging a picture frame.

One box contain two panels plus installation accessories.

- > Use as a design element
- > Highly noise absorbing
- > Easy and fast installation

Thickness (mm)	Width (mm)	Length (mm)	Weight* kg/m ²
24	450	2400	Panel weight: 8.0 Installed weight: 12.1

CLENEO UP

Cleaneo Up gets to the heart of three important demands of modern ceiling planning: First of all it improves the acoustics with a constant homogeneous sound absorption characteristic in various rooms. Secondly, it emphasises the attractive design features. Thirdly, it is installed quickly. Perfect for the planner and the installer. The innovative canopy is also suitable for difficult applications.

- > Robust and finished surface
- > Highly noise absorbing
- > Integration of illumination possible

Thickness (mm)	Width (mm)	Length (mm)	Weight* kg/m ²
57	800	1600	Panel weight: 16.0 Installed weight: 20.0
	1000	2000	Panel weight: 24.0 Installed weight: 29.0

Knauf Group in Australia

The Knauf Group has over many decades transitioned from a pure family-run company to a globally operating family of businesses. Knauf's worldwide product range spans drywall linings, insulation, acoustic ceiling systems, exterior facades, plasters and flooring systems.

Alongside Knauf in Australia are Knauf owned businesses Knauf Insulation and AMF Ceilings. Knauf Insulation supplies a superior, wide range of glass and rock mineral wool insulation products; and AMF are one of the most innovative high performance mineral fibre and wood wool ceiling manufacturers in the world.



AMF Thermatex

AMF Thermatex ceiling tiles are made from new generation bio-soluble mineral wool, clay and starch and are therefore based on natural raw materials and offer excellent acoustic performance.

Available in a wide range of face patterns, edge details and acoustic performance, AMF tiles are non-combustible and offers special products for clean room, hygiene and high humidity requirements.

The new AMF Medical range offers a hygiene treatment for resistance to fungi and bacteria, with paint sealed edges and surfaces that are washable and scrubbable. Available to order for Acoustic, Alpha & Aquatec tiles.



KNAUF INSULATION

Knauf Insulation Pty. Ltd.

Knauf Insulation supplies a wide range of high performance glasswool, XPS (extruded polystyrene) and blow-in insulation in Australia.

As a leading insulation manufacturer, Knauf Insulation utilises state-of-the-art proprietary technology and has set a new benchmark around the world for premium quality, sustainable insulation products.



Heradesign

The Heradesign range is made from sustainable PEFC-certified timber, pure magnesite and water. Heradesign wood wool lining is a natural acoustic performer offering unlimited design flexibility.

Heradesign is highly durable and is available in a number of surface finishes. It is flame and termite resistant and free from emissions.



Decorative Ceiling Linings



SPANGRID

SpanGrid are plasterboard ceiling tiles that can be used as demountable in-fill panels in suspended ceilings and that require no further finishing treatment.





STANDARD ^	PROTECH ^
<ul style="list-style-type: none"> > Paper faced > Economical > Easy to install 	<ul style="list-style-type: none"> > Laminated with durable and PVC free laminate > Scratch resistant > Easy to install and clean

Thickness (mm)	Width (mm)	Length (mm)	Weight* (kg/m ²)	SpanGrid [^]	SpanGrid Protech [^]
10	600	1200	7.3	•	•




[^] Non stock item - lead times and minimum order quantities may apply

Cornice






CLASSICLOOK

- ▶ Simple curved profile
- ▶ Clean finish
- ▶ Suit all decors




Profile (mm)	Length (mm)
55, 75, 90	3000 – 5400






SKYLOOK

- ▶ Sharp lines and clean profile
- ▶ Can be retrofitted over existing 55mm cornice




Profile (mm)	Length (mm)
90	4200






WAVELOOK

- ▶ Elegant soft curved profile
- ▶ Adds a smooth and relaxing style




Profile (mm)	Length (mm)
75	4200








PACIFICLOOK

- ▶ Bold curves and smooth profile
- ▶ Can be retrofitted over existing 55mm cornice




Profile (mm)	Length (mm)
90	4200



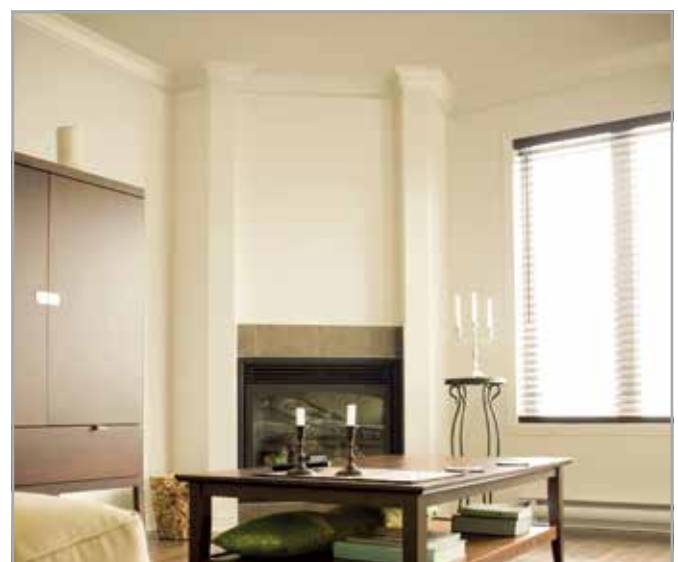




STEPLOOK

- ▶ Contemporary 2, 3 and 4 step profile
- ▶ Adds depth, edge and dimension



Profile (mm)	Length (mm)
50 (StepLook 2) 75 (StepLook 3) 100 (StepLook 4)	4200



Compounds

Bedding cements

MASTABASE

MastaBase is a plaster based cement for bedding tape and second coating all plasterboard joints. It has a setting time of 60 minutes.

- › High joint strength
- › Easy to scrape back
- › Quick drying

10 kg bag
20 kg bag



MASTALONGSET

MastaLongset is a plaster based cement for bedding tape and second coating all plasterboard joints. It has an extended setting time of 80 minutes, making it ideal for mechanical tools.

- › Free flowing
- › Smooth edges
- › Easy to retrowel

20 kg bag



MASTATAPE UNIVERSAL

MastaTape Universal is a ready to use air drying compound for bedding tape into recessed edges and butt joints for plasterboard systems. It is also suitable for second coating joints, for internal and external angles as well as fastener heads. MastaTape is ideal for use with mechanical taping and setting tools, minimising time spent cleaning and mixing.

- › Fast application
- › Strong tape bond

16 kg bucket



Finishing Compounds

MASTAFINISH

MastaFinish is a premium jointing compound designed for the finishing coat over plasterboard joints. MastaFinish is premixed and ready to use.

- › Superior finish
- › Easy to trowel
- › Easy to sand

20 kg bucket



MASTAGLIDE

MastaGlide is a good value heavy weight compound for final coating plasterboard joints.

- › Smooth trowelling
- › Great sanding
- › Low shrinkage

20 kg bucket



Jointing Compounds

MASTALITE

MastaLite is a premixed all purpose jointing compound that is suitable for bedding tape, second and final coating of plasterboard joints.

- Good body
- Ideal for electric sanding
- Free flowing

17 kg bucket



MASTACOAT3

MastaCoat3 is an all purpose jointing compound suitable for bedding tape, second and final coating plasterboard joints. It is ideal for smaller jobs and renovations.

- Premixed for easy use
- Easy to clean off
- Minimal wastage

4 kg bucket



MASTALINE

MastaLine is a premixed jointing compound formulated to perform in all phases of jointing, coating trim and fasteners and final coating. MastaLine can also be applied as a final coat over MastaBase, MastaLongset or MastaTape.

- All purpose
- Premixed for easy use

20 kg bucket



UNIFLOTT

Uniflott is a plaster based cement specifically developed for filling FF & the new UFF joints of Stratopanel systems.

- Low shrinkage
- High jointing strength

5 kg bag



Paper Tape

MASTAMATE PAPER TAPE

MastaMate Paper Tape is a spark perforated paper tape for bedding into the first coat of plasterboard joints. Knauf Paper Tape is the quality choice and will result in the strongest plasterboard joint when used with MastaBase or MastaLongset.

- Machine roughened for superior bonding
- Centre creased for easy application
- Spark perforated to prevent blistering

75m roll



Speciality Compounds

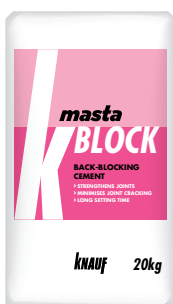
MASTABLOCK

MastaBlock is a pink plaster based setting cement designed specifically for back-blocking ceiling joints in accordance with Australian Standard 2589.

MastaBlock has a working time of 3.5 hours.

- > Strengthens joints
- > Minimises joint cracking
- > Long setting time

20 kg bag



MASTAFIX20

MastaFix20 is a versatile 3-in-1 cement with a setting time of 20 minutes. Ideal for patching and fixing cornice, MastaFix20 also performs well as a bedding cement.

- > For patching, corning and jointing
- > Sets quickly
- > Easy to work with

10 kg bag



Cornice Cements

MASTASMOOTH

MastaSmooth is a super fine white plaster based cornice cement. It is perfect for installing both cornice and decorative features.

- > Quick initial grab
- > Superior bond strength
- > Sets to a brilliant white finish

20 kg bag



MASTACOVE45

MastaCove45 is a plaster based cornice cement. With a setting time of 45 minutes, it is ideal for all corning applications.

- > Mixes easily to a creamy gauge
- > Goes off evenly
- > Excellent workback

20 kg bag



MASTACOVE75

MastaCove75 is a plaster based cornice cement. With a setting time of 75 minutes, it is suitable for large corning jobs.

- > Mixes easily to a creamy gauge
- > Stabilised set
- > Extended working time

20 kg bag



Accessories

Adhesives

MASTABOND

MastaBond is a yellow bonding cement for adhering plasterboard to masonry surfaces.

- Excellent grab
- Easy to mix
- Easy to apply

20 kg bag



MASTAGRIP

MastaGrip is an acrylic stud adhesive for adhering plasterboard to timber and metal frames in conjunction with screws or nails.

- Sticks to treated timbers
- Complies with Australian Standard 2753-1985
- Fast tack

600 ml foil tube

1.25 kg bucket

5.2 kg bucket



Sealants

FIRE AND ACOUSTIC SEALANT

Fire and Acoustic Sealant is an acrylic based sealant designed to stop sound, smoke and fire from passing through gaps in fire rated walls. It has been fire tested in Australia for control joints, perimeter seals and penetration seals around cables and metal pipes.

- Can be used instead of MastaBase and Knauf Paper Tape to joint sheets in multi-layer wall systems
- Excellent slump resistance
- Easy to apply and tool off

600 ml foil tube



WET AREA SEALANT

Wet Area Sealant is an acrylic based high performance caulking compound suitable for sealing plasterboard edges in wet areas. Wet Area Sealant offers strong moisture resistance along with superior flexibility and slump resistance for use in expansion joints subject to movement.

- Acrylic based
- Easy application using caulking gun
- Water wash up
- Specifically for use with Knauf moisture resistant plasterboards, WaterShield, MultiShield & TruRock

450g cartridge



KNAUF WARRANTY. THE SAFETY NET FOR ULTIMATE PEACE OF MIND.



A manufacturer's warranty is nothing new, with many companies offering 10 year product warranties. The Knauf Warranty takes this to a whole new level.

Not only do we guarantee our products, but our advanced system engineering and rigorous testing regimes give us the confidence to offer you a warranty that can cover the whole wall and ceiling systems. So when you install Knauf products as complete system in accordance to our recommendations, you have the ultimate peace of mind knowing that you are covered by the Knauf Warranty.

Find out more how you can get the peace of mind
[knauf.solutions/warranty](https://www.knauf.com/solutions/warranty)

KNAUF

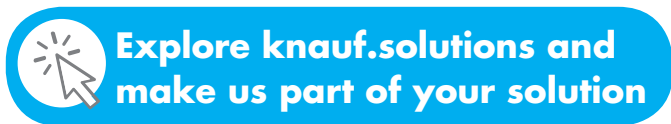
knauf.solutions AT YOUR FINGERTIPS



More than just a website

The name says it all. *knauf.solutions* provides you with a unique digital experience and all the online solutions you need to make your next project run smoothly.

We have designed our new online offering with you in mind. Everything you need is now at your fingertips. *knauf.solutions* is a fully integrated online solution that provides access to a wide variety of content and tools, including the Knowhow Suite with handy calculators, system selectors, case studies, videos and more.





Knauf Plasterboard Pty Ltd

ABN 61 003 621 010

31 Military Road

Matraville NSW 2036

Customer Service 1300 724 505

knauf.solutions