



## APPLICATIONS



TOILET



HAND BASIN



BATH



SHOWER



WASHING MACHINE



DISH WASHER



KITCHEN SINK

## Sanicubic® 1 WP

Sanicubic® 1 WP is ideal for use in a granny flat addition as it can remove waste water from multiple fixtures. It features a powerful 1500W motor, high flow rate performance, and an IP68 waterproof rating.



WMTS 106:2019  
Certificate No. 23048  
Manufacturer: SFA  
Brand: Saniflo

Product Reference:  
SA107

### WHY CHOOSE THIS PRODUCT?

Ideal for additional granny flats and studios

Tough, reliable macerating lifting station

New design with easily removable motor for servicing and maintenance

External hard wired audio visual alarm

Features integrated non-return valves

Centre heights of inlets 140 mm

Working temperature of 35°C. Will handle up to 70°C for short periods (5 minutes)

IP68 rated

Base of pump needs to be minimum 275 mm below lowest fixture

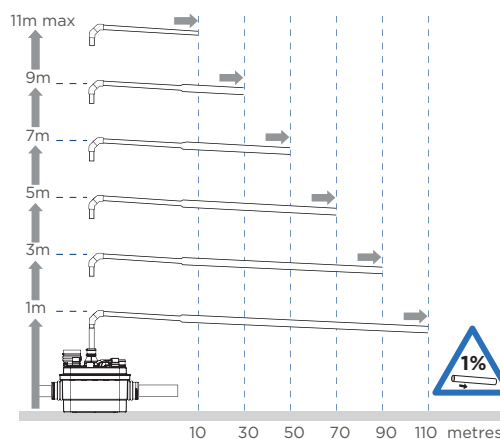
Allow 200 mm clearance around pump for maintenance purposes



Note: Isolation valves should be fitted to the inlet pipework and discharge pipework to isolate the unit for servicing.

### VERTICAL/HORIZONTAL PERFORMANCE

Increase size of horizontal run by one pipe size after 5m. All horizontal pipework requires a minimum of 1:100 fall.



Shaking up water

Made in France to the highest standards, needs to be installed by a licensed plumber



APPLICATIONS



TOILET



HAND BASIN



BATH



SHOWER



WASHING MACHINE

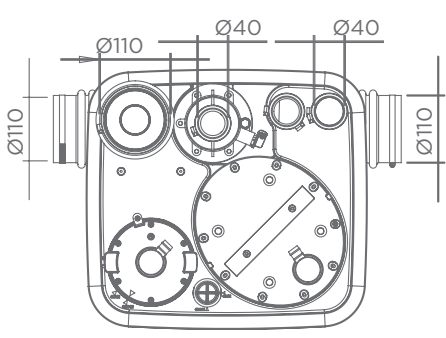
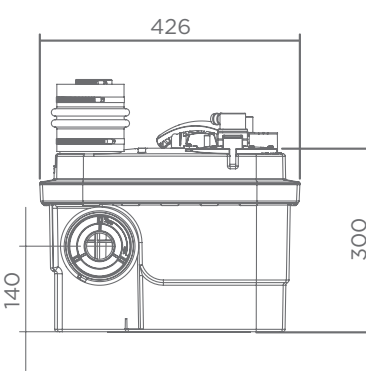
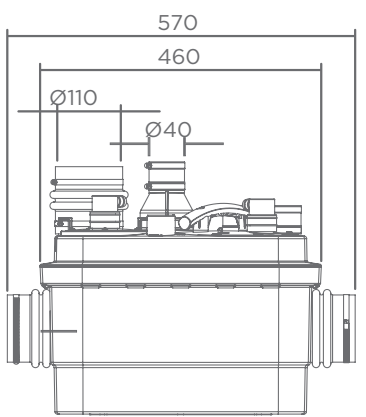


DISH WASHER



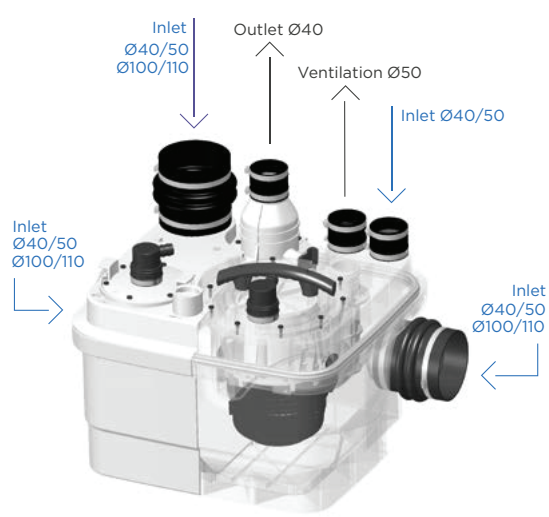
KITCHEN SINK

SANICUBIC 1 WP

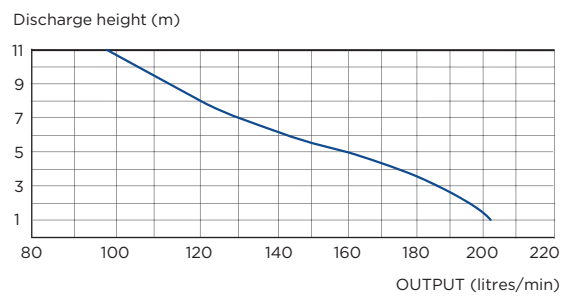


TECHNICAL CHARACTERISTICS

|   |                              |
|---|------------------------------|
| <b>Discharge Pipework</b>                 | 40 mm                        |
| <b>Motor Power</b>                        | 1500 Watts                   |
| <b>Flow Rate</b>                          | 13 m <sup>3</sup> /h         |
| <b>Voltages</b>                           | 220-240 V/50 Hz              |
| <b>Tank Volume</b>                        | 32 L                         |
| <b>Working Waste Water Temp</b>           | 35°C/Max 70°C (intermittent) |
| <b>Product Weight</b>                     | 20 kg                        |
| <b>Overall Measurements</b>               | 570 x 439 x 426 mm           |
| <b>Inlet Pipework</b>                     | 40/50/100/110 mm             |
| <b>IP Rating</b>                          | IP68                         |
| <b>Cable length for Control Panel</b>     | 4m                           |
| <b>Cable length for Wired Alarm Panel</b> | 5m                           |

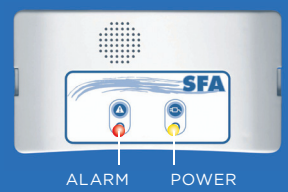


FLOW RATE PERFORMANCE CHART



WMTS 106:2019  
Certificate No. 23048  
Manufacturer: SFA  
Brand: Saniflo

Product Reference:  
SA107



Remote hard wired alarm panel



External mounted control box



Robust blade suitable for heavy usage



Made in France to the highest standards, needs to be installed by a licensed plumber