

LoE³-366[®]+Neat[®]

Ultimate performance glass

8A Kitchen Rd
Dandenong South 3175
T +61 3 8788 5888
F +61 3 8788 5899
info@glassworksaustr.com
glassworksaustr.com

GLASSWORKS

Glassworks performance range

LoE³-366[®] + Neat[®]

Enjoy the view, without the heat

LoE³-366 has been specially formulated to reject the sun's heat without affecting the view. It lets more light in and keeps more heat out. So households and businesses remain cool and comfortable while enjoying optimum clarity. LoE³-366 also provides exceptional fading protection. It blocks 95% of the sun's damaging ultraviolet rays (a leading cause of fading), meaning furniture and people are protected from the damaging effects of the sun's rays.

It's the perfect cold remedy too

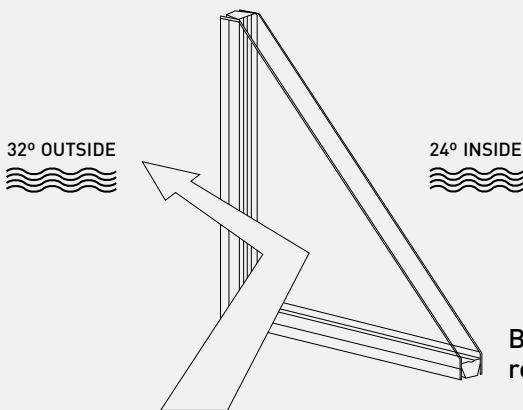
During cold weather, the insulating effect of your windows has a direct impact on how your rooms feel. Typically, 75% of the exposed surface of a window is glass, and the temperature of the room-side of the glass directly affects the air temperature in the room. Consequently, when glass surface temperature falls below 11°C, there is a risk of thermal discomfort. To maintain the best comfort during the winter, LoE³-366 produces near constant surface temperatures, so buildings keep warm during the coldest months.

Thanks to the added Neat technology, it requires far less cleaning

What's more, LoE³-366 comes standard with Neat technology - an easy-clean coating which harnesses the sun's rays to loosen dirt so the rain can wash it away. This is thanks to the titanium dioxide layer which reacts chemically with the sun's UV rays and causes the organic materials on the glass to decompose and rinse away with the rain, and a silicon dioxide layer which makes it ultra smooth, allowing water to evaporate quickly to reduce water spotting. Enjoy the added convenience and cost benefits of less window cleaning.

3 layers of silver make the clear difference

Heat efficiency



By incorporating a triple layer of silver, LoE³-366[®] reduces the heat gain by 64% compared to ordinary glass.

Specifications

Description	Typical Low-E unit Insulated Glass Unit 6mm Clear EnergyTech 12mm Argon 6mm Clear Float		Insulated Glass Unit 6mm LoE ³ -366 [®] on Clear 12mm Argon 6mm Clear Float	
	6mm Clear Glass			Insulated Glass Unit 6mm LoE ³ -366 [®] on Clear 12mm Argon 6mm LoE-i89 [®] (4)
Visible Light Transmission	88%	73%	63%	61%
Reflectance Exterior	8%	17%	11%	11%
Solar heat Gain Coefficient	0.82	0.67	0.27	0.27
U-Value	5.8	1.6	1.35	1.10