

Taking Food & Wine Preservation to a Whole New Level

Quality, Design and Innovation



EGN 9271 & EWT 9275 & EKB 9471

MONOLITH

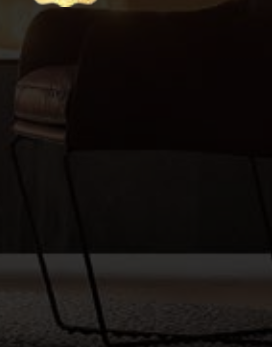
LIEBHERR



TRIO DESIGN

The Monolith's special dimension concept makes it possible to create customised trio combinations of individual freezer, wine cabinet and refrigerator. Whilst both the order of the Monolith models can be varied as desired, or even the the number of appliances, the popular trio combinations are shown in this brochure. Many other combinations are possible, to perfectly match your personal food and wine storage needs.

Installed invisibly behind the respective kitchen panels or as a visible design highlight enhanced with matt polished stainless steel panels and selected handles, the possibilities are endless.



The Monolith stands for a new generation of fully integrated refrigerators, freezers, and wine cabinets. Based on over 60 years of innovation and German engineering, it sets new standards for food and wine preservation.

Luxury features, impressive dimensions, modern components for maximum energy efficiency and innovative technologies such as PowerCooling and BioFresh for storing food and keeping it fresh for significantly longer are what make Monolith appliances so unique. Monolith columns can be combined in a variety of ways according to individual requirements and preferences.

In this trio combination EGN 9271 (freezer) & EWT 9275 (wine cabinet) & EKB 9671 (fridge) the luxury range spans an impressive 213.4cm. This option provides both the largest freezer and fridge, BioFresh and BioFreshPlus capacity within the Monolith range.



Monolith 213.4 cm

Energy consumption (kWh/y) / Star rating
Energy consumption in 365 days/24 h°
Sound rating dB(A) *
Usable capacity in litres
Usable BioFresh & BioFresh-Plus comp. in litres
Number of shelves / door racks
Number of FrostSafe drawers
Number of BioFresh / BioFresh-Plus drawers
Max. No. of Bordeaux bottles (0.75 litre)
InfinityBoard / Shelf material
Electronic control
Door / side walls
Temperature range °C
Temperature zones
Temperature alarm
Defrost type
Interior light
Door alarm
Internal water dispenser
Water filter
IceMaker
Ice cube output kg/24h
Safety thermostat
FreshAir activated charcoal filter
SoftSystem
Door hinges
Door type
Product dimensions (H/W/D) cm
Cut out dimensions (H/W/D) cm
Gross / Net weight in kg
Voltage V / Connected load A / Frequency Hz
Warranty

* Noise output - according to EN 60704-3.

** BioFresh bins, 0°C. BioFresh-Plus bins, -2°C or 0°C.

EGN 9271

No Frost	Infinity Swipe	Infinity Light
Ice Maker	Soft System	Soft Telescopic

EWT 9275

Infinity Swipe	Infinity Light	Wine
Soft System	Soft Telescopic	

EKB 9671

Bio Fresh-Plus	Infinity Swipe	Infinity Light
Infinity Spring	Soft System	Soft Telescopic

399 / 3.0	N/A	263 / 3.5
-	155	-
39	42	39
322	320	534
-	-	235
4 / 3	9 / 0	4 / 3
3	-	-
-	-	2 / 1
-	100	-
- / Aluminium & Glass	Yes / Aluminium & Beech	- / Aluminium & Glass
InfinitySwipe	InfinitySwipe	InfinitySwipe
Steel	Steel	Steel
-14°C to -27°C	+5°C to +20°C	+2°C to +7°C
1	3	3 **
Visual and audible	Visual and audible	Visual and audible
Automatic	Automatic	Automatic
InfinityLight	InfinityLight	InfinityLight
Audible	Audible	Audible
-	-	InfinitySpring
Yes	-	Yes
Fixed water connection 20 mm	-	-
1.6	-	-
-	InfinityProtection	-
Yes	Yes	Yes
Yes	Yes	Yes
Left, reversible ***	Right, reversible***	Right, reversible ***
Solid door	Insulated glass door	Solid door
212.6 / 60.2 / 61	212.6 / 60.2 / 61	212.6 / 90.9 / 61
213.4 / 61 / min. 63.5	213.4 / 61 / min. 63.5	213.4 / 91.4 / min. 63.5
170 / 157	174 / 162	214 / 199
220-240 / 2.0 / 50	220-240 / 1.5 / 50	220-240 / 1.5
5 Years	5 Years	5 Years

*** Please contact your Liebherr Authorised Dealer for door reversal.

° Measurements taken at +25°C ambient and +12°C interior temperature tested by Liebherr Germany (not to Australian standards).

Where better to present your style and good taste than the kitchen? The kitchen is the heart of every home, and the lines between living and cooking have become blurred. With Monolith, Liebherr heralds a new era of exclusive and luxurious fridges, freezers and wine cellars. This innovative model series makes unique design statements and embodies new dimensions for built-in appliances.

In this trio combination EGN 9271 (freezer) & EWT 9275 (wine cabinet) & EKB 9471 (fridge) the luxury range spans a lavish 198.2cm. This option provides the largest capacity NoFrost freezer storage (compared to EGN 9171) in the range.

With its impressive size, clear lines, innovative functions and especially quiet operation, the elegant Monolith fits seamlessly into any kitchen design - today, tomorrow and many years later.



Monolith 198.2 cm

EGN 9271

No Frost	Infinity Swipe	Infinity Light
Ice Maker	Soft System	Soft Telescopic

EWT 9275

Infinity Swipe	Infinity Light	Wine
Soft System	Soft Telescopic	

EKB 9471

Bio Fresh-Plus	Infinity Swipe	Infinity Light
Infinity Spring	Soft System	Soft Telescopic

Energy consumption (kWh/y) / Star rating	399 / 3.0	N/A	234 / 3.5
Energy consumption in 365 days/24 h°	-	155	-
Sound rating dB(A) *	39	42	39
Usable capacity in litres	322	320	430
Usable BioFresh & BioFresh-Plus comp. in litres	-	-	242
Number of shelves / door racks	4 / 3	9 / 0	4 / 3
Number of FrostSafe drawers	3	-	-
Number of BioFresh / BioFresh-Plus drawers	-	-	2 / 1
Max. No. of Bordeaux bottles (0.75 litre)	-	100	-
InfinityBoard / Shelf material	- / Aluminium & Glass	Yes / Aluminium & Beech	- / Aluminium & Glass
Electronic control	InfinitySwipe	InfinitySwipe	InfinitySwipe
Door / side walls	Steel	Steel	Steel
Temperature range °C	-14°C to -27°C	+5°C to +20°C	+2°C to +7°C **
Temperature zones	1	3	3 **
Temperature alarm	Visual and audible	Visual and audible	Visual and audible
Defrost type	Automatic	Automatic	Automatic
Interior light	InfinityLight	InfinityLight	InfinityLight
Door alarm	Audible	Audible	Audible
Internal water dispenser	-	-	InfinitySpring
Water filter	Yes	-	Yes
IceMaker	Yes	-	-
Ice cube output kg/24h	1.6	-	-
Safety thermostat	-	InfinityProtection	-
FreshAir activated charcoal filter	Yes	Yes	Yes
SoftSystem	Yes	Yes	Yes
Door hinges	Left, reversible ***	Right, reversible ***	Right, reversible ***
Door type	Solid door	Insulated glass door	Solid door
Product dimensions (H/W/D) cm	212.6 / 60.2 / 61	212.6 / 60.2 / 61	212.6 / 75.4 / 61
Cut out dimensions (H/W/D) cm	213.4 / 61 / min. 63.5	213.4 / 61 / min. 63.5	213.4 / 76.2 / min. 63.5
Gross / Net weight in kg	170 / 157	174 / 162	193 / 178
Voltage V / Connected load A / Frequency Hz	220-240 / 2.0 / 50	220-240 / 1.5 / 50	220-240 / 1.5 / 50
Warranty	5 Years	5 Years	5 Years

* Noise output - according to EN 60704-3.

** BioFresh bins, 0°C. BioFresh-Plus bins, -2°C or 0°C.

*** Please contact your Liebherr Authorised Dealer for door reversal.

° Measurements taken at +25°C ambient and +12°C interior temperature tested by Liebherr Germany (not to Australian standards).

While Monolith features the most advanced technology the industry has ever seen, everything about it is designed to be simple and effortless to use. So effortless, in fact, that you barely have to lift a finger to control every function.

Monolith's intuitive electronic touch control panel features a full colour 3.5 inch touch and swipe screen that's bright, clean and wonderfully user friendly. Like all good design, it's a beautiful testament to the idea that less is, indeed, more.

In this trio combination EGN 9171 (freezer) & EWT 9275 (wine cabinet) & EKB 9671 (fridge) the luxury range spans a lavish 198.1cm. This option provides the largest capacity fridge, BioFresh and BioFreshPlus storage (compared to EKB 9471) in the range.



Monolith 198.1 cm

Energy consumption (kWh/y) / Star rating
Energy consumption in 365 days/24 h°
Sound rating dB(A) *
Usable capacity in litres
Usable BioFresh & BioFresh-Plus comp. in litres
Number of shelves / door racks
Number of FrostSafe drawers
Number of BioFresh / BioFresh-Plus drawers
Max. No. of Bordeaux bottles (0.75 litre)
InfinityBoard / Shelf material
Electronic control
Door / side walls
Temperature range °C
Temperature zones
Temperature alarm
Defrost type
Interior light
Door alarm
Internal water dispenser
Water filter
IceMaker
Ice cube output kg/24h
Safety thermostat
FreshAir activated charcoal filter
SoftSystem
Door hinges
Door type
Product dimensions (H/W/D) cm
Cut out dimensions (H/W/D) cm
Gross / Net weight in kg
Voltage V / Connected load A / Frequency Hz
Warranty

* Noise output - according to EN 60704-3.

** BioFresh bins, 0°C. BioFresh-Plus bins, -2°C or 0°C.

EGN 9171

No Frost	Infinity Swipe	Infinity Light
Ice Maker	Soft System	Soft Telescopic

EWT 9275

Infinity Swipe	Infinity Light	Wine
Soft System	Soft Telescopic	

EKB 9671

Bio Fresh-Plus	Infinity Swipe	Infinity Light
Infinity Spring	Soft System	Soft Telescopic

355 / 3.0	N/A	263 / 3.5
-	155	-
39	42	39
218	320	534
-	-	235
4 / 3	9 / 0	4 / 3
3	-	-
-	-	2 / 1
-	100	-
- / Aluminium & Glass	Yes / Aluminium & Beech	- / Aluminium & Glass
InfinitySwipe	InfinitySwipe	InfinitySwipe
Steel	Steel	Steel
-14°C to -27°C	+5°C to +20°C	+2°C to +7°C
1	3	3 **
Visual and audible	Visual and audible	Visual and audible
Automatic	Automatic	Automatic
InfinityLight	InfinityLight	InfinityLight
Audible	Audible	Audible
-	-	InfinitySpring
Yes	-	Yes
Fixed water connection 20 mm	-	-
1.6	-	-
-	InfinityProtection	-
-	Yes	Yes
Yes	Yes	Yes
Left, reversible ***	Right, reversible***	Right, reversible ***
Solid door	Insulated glass door	Solid door
212.6 / 45 / 61	212.6 / 60.2 / 61	212.6 / 90.9 / 61
213.4 / 45.7 / min. 63.5	213.4 / 61 / min. 63.5	213.4 / 91.4 / min. 63.5
152 / 137	174 / 162	214 / 199
220-240 / 2.0	220-240 / 1.5 / 50	220-240 / 1.5
5 Years	5 Years	5 Years

*** Please contact your Liebherr Authorised Dealer for door reversal.

° Measurements taken at +25°C ambient and +12°C interior temperature tested by Liebherr Germany (not to Australian standards).

Monolith's whisper quiet operation will amaze you, but don't mistake silence for weakness. As a company with engineering at its heart, every touchpoint conveys a sense of quality and strength. Depending on which size Monolith you choose, the door hinges are rated for up to 36kg. Chances are, you'll never test their limits, but you can feel confident knowing the door panels can support any application.

In this trio combination EGN 9171 (freezer) & EWT 9275 (wine cabinet) & EKB 9471 (fridge) the luxury range spans a generous 182.9cm. Although offering the entry storage capacities in the Monolith range, this combination is double award winning with both the EGN 9171 and EKB 9471 awarded the iF Design Award 2019. Indeed, with its impressive dimensions, clean lines, and premium features, the Monolith was designed to inspire awe and integrate seamlessly into your home.



Monolith 182.9 cm

EGN 9171

No Frost	Infinity Swipe	Infinity Light
Ice Maker	Soft System	Soft Telescopic

EWT 9275

Infinity Swipe	Infinity Light	Wine
Soft System	Soft Telescopic	

EKB 9471

Bio Fresh-Plus	Infinity Swipe	Infinity Light
Infinity Spring	Soft System	Soft Telescopic

Energy consumption (kWh/y) / Star rating
Energy consumption in 365 days/24 h°
Sound rating dB(A) *
Usable capacity in litres
Usable BioFresh & BioFresh-Plus comp. in litres
Number of shelves / door racks
Number of FrostSafe drawers
Number of BioFresh / BioFresh-Plus drawers
Max. No. of Bordeaux bottles (0.75 litre)
InfinityBoard / Shelf material
Electronic control
Door / side walls
Temperature range °C
Temperature zones
Temperature alarm
Defrost type
Interior light
Door alarm
Internal water dispenser
Water filter
IceMaker
Ice cube output kg/24h
Safety thermostat
FreshAir activated charcoal filter
SoftSystem
Door hinges
Door type
Product dimensions (H/W/D) cm
Cut out dimensions (H/W/D) cm
Gross / Net weight in kg
Voltage V / Connected load A / Frequency Hz
Warranty

355 / 3.0	N/A	234 / 3.5
-	155	-
39	42	39
218	320	430
-	-	188
4 / 3	9 / 0	4 / 3
3	-	-
-	-	2 / 1
-	100	-
- / Aluminium & Glass	Yes / Aluminium & Beech	- / Aluminium & Glass
InfinitySwipe	InfinitySwipe	InfinitySwipe
Steel	Steel	Steel
-14°C to -27°C	+5°C to +20°C	+2°C to +7°C **
1	3	3 **
Visual and audible	Visual and audible	Visual and audible
Automatic	Automatic	Automatic
InfinityLight	InfinityLight	InfinityLight
Audible	Audible	Audible
-	-	InfinitySpring
Yes	-	Yes
Fixed water connection 20 mm	-	-
1.6	-	-
-	InfinityProtection	-
-	Yes	Yes
Yes	Yes	Yes
Left, reversible ***	Right, reversible ***	Right, reversible ***
Solid door	Insulated glass door	Solid door
212.6 / 45 / 61	212.6 / 60.2 / 61	212.6 / 75.4 / 61
213.4 / 45.7 / min. 63.5	213.4 / 61 / min. 63.5	213.4 / 76.2 / min. 63.5
152 / 137	174 / 162	193 / 178
220-240 / 2.0	220-240 / 1.5 / 50	220-240 / 1.5 / 50
5 Years	5 Years	5 Years

* Noise output - according to EN 60704-3.

** BioFresh bins, 0°C. BioFresh-Plus bins, -2°C or 0°C.

*** Please contact your Liebherr Authorised Dealer for door reversal.

° Measurements taken at +25°C ambient and +12°C interior temperature tested by Liebherr Germany (not to Australian standards).

Features



Soft System

SoftSystem: Monolith's SoftSystem technology allows the appliance doors to close gently and effortlessly. This eliminates slamming even when the fridge and freezer doors are fully loaded and protects wines from damage caused by vibration.



Infinity Light

InfinityLight: InfinityLight in all Monolith models adds drama and flair while emitting less heat to preserve food quality and protect your wines. LED side-wall lighting casts an even glow that can be adjusted to your liking.



Activated Charcoal Filter: All Monolith models are equipped with the FreshAir activated charcoal filter. This helps to maintain the air quality in your appliance by purifying incoming air while filtering out damaging odours to prevent contamination.



Bio Fresh-Plus

BioFresh-Plus: Bringing you the perfect climate for long-lasting food freshness. In addition to two BioFresh drawers, the third fridge drawer can be set to BioFresh-Plus by lowering temperatures down to -2°C , ideal for storing fresh seafood.



Infinity Spring

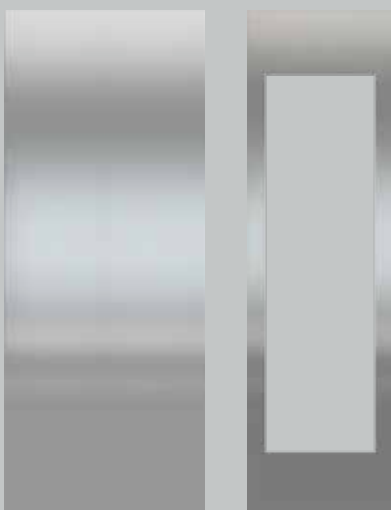
InfinitySpring: Seamlessly integrated into the fridge, InfinitySpring is an internal water dispenser designed to accommodate water pitchers of any size. Our water filtration system eliminates harmful contaminants, resulting in crisp, clear water.



InfinityProtection: Monolith wine cabinets utilise two temperature sensors in each compartment to maintain precise temperatures and protect wines from high temperature fluctuations – a feature unique to Liebherr.

Accessories

Stainless steel front



Stainless steel front for Refrigerator / Freezer
 45.7cm (Part no. 39901916)
 61.0cm (Part no. 39901883)
 76.2cm (Part no. 39901872)
 91.4cm (Part no. 39901458)

Stainless steel front for Wine Cabinet
 61.0 cm (Part no. 39901533)

Handle variants



Flat brushed aluminium handle (Part no. 39901461)

Round stainless steel handle (Part no. 39901489)

Square brushed aluminium handle (Part no. 39901492)

Stainless steel toe kicks



Size & Part no.:
 45.7cm - 39901493, 61.0cm - 39901496,
 76.2cm - 39901530, 91.4cm - 39902349,
 106.7cm - 39901552, 121.9cm - 39901765,
 137.1cm - 39901787, 152.4cm - 39902366,
 167.6cm - 39902819 and 182.8cm - 39902390

Other accessories

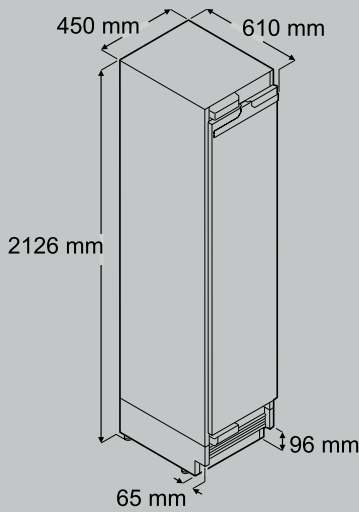
Side-by-side kit (Part no. 39901428)
 – A SBS kit is required when there is a spacing of less than 102 mm between appliances. Includes a side wall heater to prevent condensation, metal brackets with screws, and a finishing strip (approx. 6-8 mm) to fill the gap between the appliances.

Door hinge exchange set (Part no. 39902399)
 – To be used when reversing factory-fitted hinges. Door reversal must be performed by a Liebherr authorised dealer.

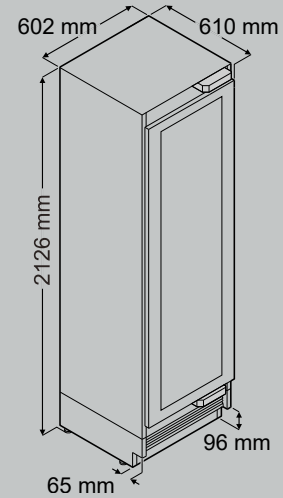
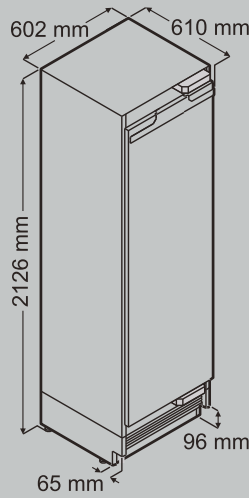
Charcoal filter (Part no. 39881116) and Water filter (Part no. 39881227)

Product Dimensions

45.7 cm appliance



61.0 cm appliance

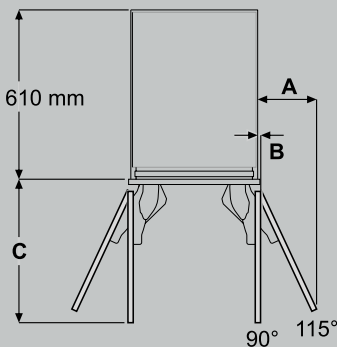


IMPORTANT!

Stated minimum height dimensions include height of the adjustable feet when fully inserted.

Height can be increased by a maximum of 19 mm by turning the adjustable feet. When the appliance is fitted in the recess, the appliance must be raised by turning the adjustable feet so that the appliance top has contact with the anti-tipping bracket. This results in a 102 mm toe kick height.

45.7 cm appliance



Internal door panel

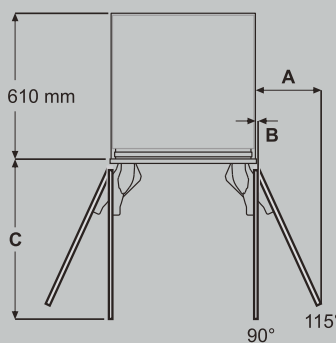
A = 210 mm
B = 12.5 mm
C = 505 mm

External door panel

A = 216 mm
B = 12.5 mm
C = 517 mm

Dimension A = without fitted door handle

61.0 cm appliance



Internal door panel

A = 273 mm
B = 12.5 mm
C = 658 mm

External door panel

A = 279 mm
B = 12.5 mm
C = 670 mm

Dimension A = without mounted door handle

Door Front Dimensions

45.7 cm recess



Integrated installation

H = 79 7/8" (2029 mm)
W = 17 3/4" (451 mm)

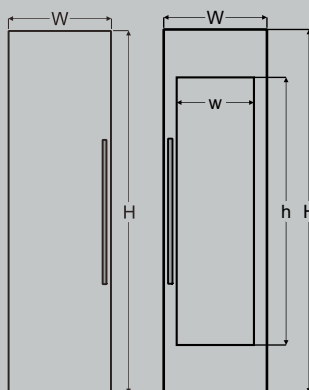
Frameless installation

H = 80" (2032 mm)
Add overlapping dimension to the panel on the top.
W = 18" (457 mm)
Add overlapping dimension to the panel on both sides.

Front thickness = min. 5/8" (16 mm) / max. 1 3/8" (30 mm)
Front and handle weight = max. 25 kg

Door Front Dimensions

61.0 cm recess



Integrated installation

H = 2029 mm / h = 1495 mm
W = 603 mm / w = 432 mm

Frameless installation

H = 2032 mm (plus the dimensions of overlapping of the panel on the top)
W = 610 mm (plus the dimensions of overlapping of the panel on both sides)

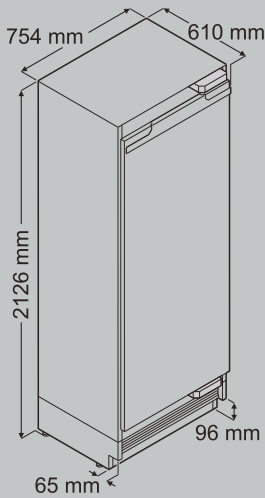
Front thickness = min. 16 mm / max. 30 mm
Front & handle weight (EGN 9271) = max. 30 kg
Front & handle weight (EWT 9275) = max. 24 kg

EGN 9271

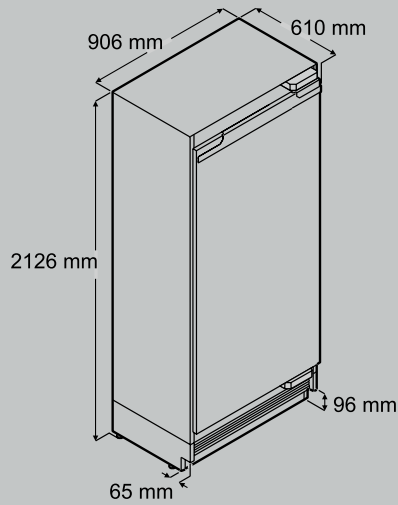
EWT 9275

Product Dimensions

76.2 cm appliance



91.4 cm appliance

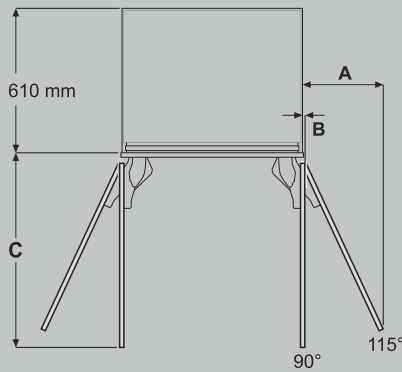


IMPORTANT!

Stated minimum height dimensions include height of the adjustable feet when fully inserted.

Height can be increased by a maximum of 19 mm by turning the adjustable feet. When the appliance is fitted in the recess, the appliance must be raised by turning the adjustable feet so that the appliance top has contact with the anti-tipping bracket. This results in a 102 mm toe kick height.

76.2 cm appliance



Internal door panel

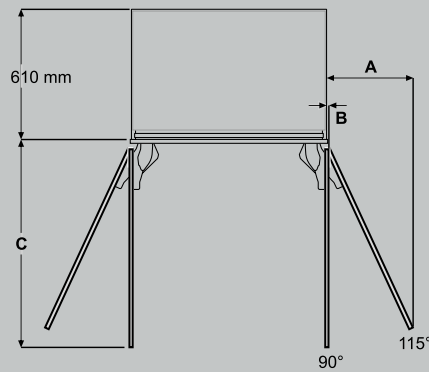
- A = 337 mm
- B = 12.5 mm
- C = 810 mm

External door panel

- A = 343 mm
- B = 12.5 mm
- C = 822 mm

Dimension A = without mounted door handle

91.4 cm appliance



Internal door panel

- A = 400 mm
- B = 12.5 mm
- C = 926 mm

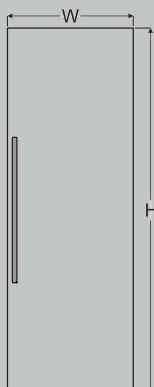
External door panel

- A = 406 mm
- B = 12.5 mm
- C = 975 mm

Dimension A = without mounted door handle

Door Front Dimensions

76.2 cm recess



Integrated installation

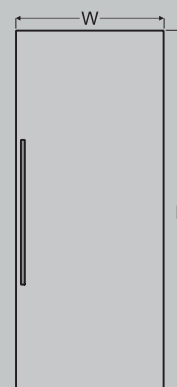
- H = 2029 mm
- W = 756 mm

Frameless installation

- H = 2032 mm (plus the dimensions of overlapping of the panel on the top)
- W = 762 mm (plus the dimensions of overlapping of the panel on the top)

Front thickness = min. 16 mm / max. 30 mm
Front & handle weight = max. 35 kg

91.4 cm recess



Integrated installation

- H = 2029 mm
- W = 908 mm

Frameless installation

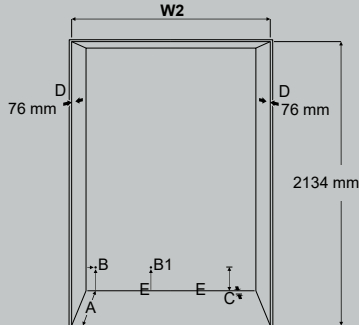
- H = 2032 mm (plus the dimensions of overlapping of the panel on the top)
- W = 914 mm (plus the dimensions of overlapping of the panel on the top)

Front thickness = min. 16 mm / max. 30 mm
Front & handle weight = max. 40 kg

Side-by-Side Installation

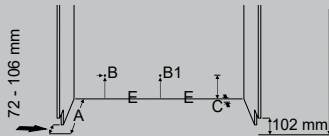
In order to determine the cut-out width for the Side-by-Side combinations, add together the individual widths of the appliances used in the combination. Below are the cut-out niches of combining two or three appliances. Width of four or more appliances are available upon request. The Side-by-Side kit (Part no. 39901428) is required if there is less than 102 mm spacing between appliances.

individual

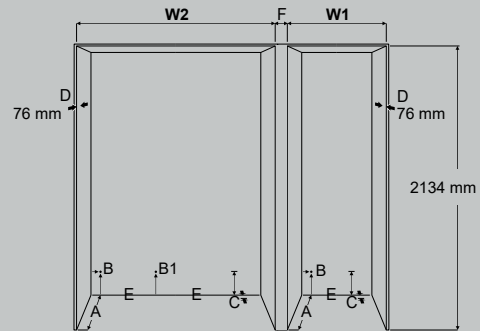
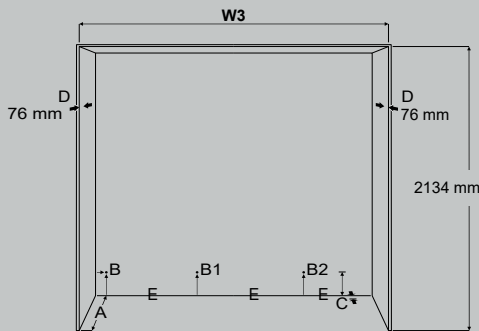


W1 (mm)	W2 (mm)	W3 (mm)
457	914	1372
610	1067	1524
762	1219	1676
914	1372	1829
	1524	1982
	1676	2134
	1829	2286
		2438
		2591
		2743

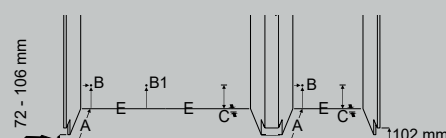
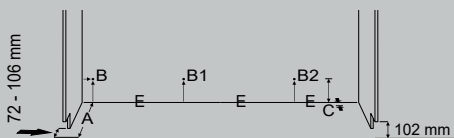
continuous



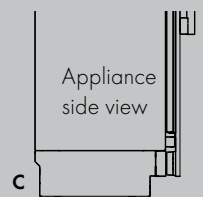
individual



continuous



- A Unit depth for overlay installation: 635 mm; for inset installation: 635 mm + thickness of the custom panel.
- B Mains cable exit on rear of the device (19 mm from the left side and 127 mm from the floor). Free length of the mains cable: 2.5 m.
- B1, B2 Please refer to descriptions of the individual appliances for the precise position of these points for the combination.
- C The appliance has a recess in this area for cable and water line routing: Depth is 25 mm, and height 140 mm across the entire appliance width.
- D This surface is visible when the appliance door is opened. Designed finish is therefore recommended.
- E The anti-tipping device positioned at the base of the appliance must be secured to the floor or to the wall.
- F A minimum partition of 16 mm width is required when the installation type with a separate recess for additional appliance is applied. Note, there will be door interference with this set up. A minimum partition of 102 mm width is required to ensure that handles do not collide when doors are opened in the same direction. A minimum partition of 154 mm width is required to ensure that handles do not collide when doors are opened centered towards each other and 90° door opening stop (included in scope of supply) is applied at the same time.



W1, W2, W3 Width of one, two or three appliances.

Width of four or more appliances are available upon request.

Whilst every effort is made to ensure all specifications and information in this brochure are accurate, Liebherr reserves the right to make changes without notification. Where actual appliance measurements, specifications, and ratings are crucial, we recommend that the actual appliance installation instructions that accompany each appliance be checked. Liebherr will not be liable for any loss.

Subject to modification. Current data see home.liebherr.com.au/monolith (211021)

home.liebherr.com.au/monolith