

ALUMINIUM DRYJOIST



NexGEN
DECKING

INSTALLATION ADVICE

DRYJOISTEZ REFERENCE GUIDE & INSTALLATION INSTRUCTIONS

Congratulations and thank you for your purchase! This is the first step to enjoying your low maintenance DryJoistEZ deck drainage system. Provided are general instructions for the installation of your new deck drainage system, along with additional engineering details. If there are any questions along the way, please don't hesitate to call

Please read these instructions in their entirety before you start your project and be sure to follow these steps carefully to ensure the durability and safety of your deck..

DECK STRUCTURE REQUIREMENTS

The structural frame drawings in this guide are intended to illustrate the support requirements of DryJoistEZ and are not to be considered as a recommendation for actual deck construction.

Check with your local municipality on permitting and always consult a professional engineer to ensure code compliance. DryJoistEZ will be fastened directly to the perimeter framing on all sides and all mid-span beams. Framing shall be built with a minimum pitch toward the drainage end of no less than $\frac{1}{8}$ " per foot drop.

Refer to Pages 11-13 for load ratings and maximum joist spans.

TOOL REQUIREMENTS



TAPE MEASURE



DRILL DRIVER



CIRCULAR SAW
OR MITER SAW



FRAMING SQUARE



WORK GLOVES
& SAFETY GLASSES



RUBBER Mallet/
HAMMER



CAULK GUN & EXTERIOR
FLASHING SEALANT



CARBIDE TIP STEEL
SAW BLADES FOR NON-
FERROUS METALS

DECKING MATERIAL AND FASTENERS

If using decking material that requires installing hidden fasteners then we can provide self-tapping zinc-coated trim head screws for the purpose of installing onto our aluminum system.



NexGEN[™]
DECKING

STRUCTURAL RECOMMENDATIONS

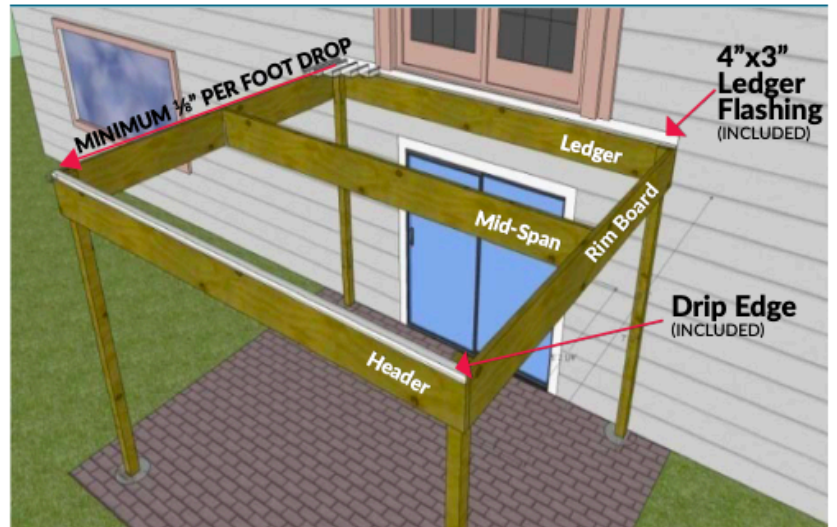
ALWAYS CHECK WITH YOUR LOCAL MUNICIPALITY ON PERMITTING AND ALWAYS CONSULT A PROFESSIONAL ENGINEER TO ENSURE CODE COMPLIANCE.

FRAMING

The structural frame drawings in this guide are intended to illustrate the support requirements of DryJoistEZ and are not to be considered as a recommendation for actual deck construction.

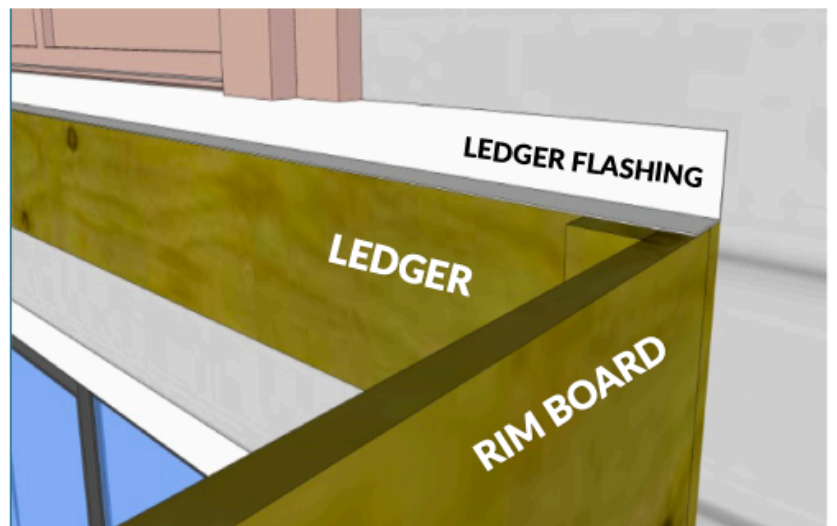
DryJoistEZ will be fastened directly to the perimeter framing on all sides and all mid-span beams.

Framing shall be built with a minimum pitch toward the drainage end of no less than $\frac{1}{8}$ " per foot drop.



LEDGER FLASHING

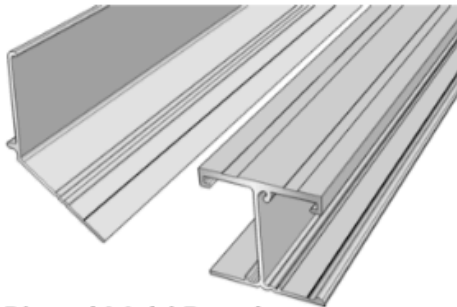
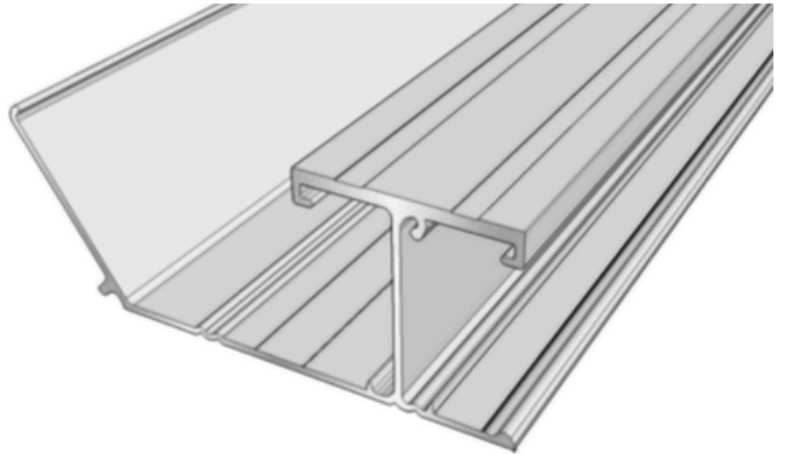
IMPORTANT! Ensure that the ledger board and flashing have been secured properly and are free from debris such as protruding nails or screws. DryJoistEZ should be installed perpendicular to the structure. This allows water to flow AWAY from the structure and foundation.



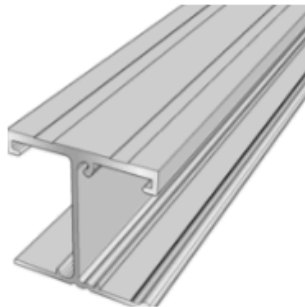
DRYJOISTEZ COMPONENTS

4" MULTI BOARD

The 4 inch wide and 2 inch tall board is used where railing posts are attached or where decking boards will have butt joints. (See Step 9)



Ripped Multi Board



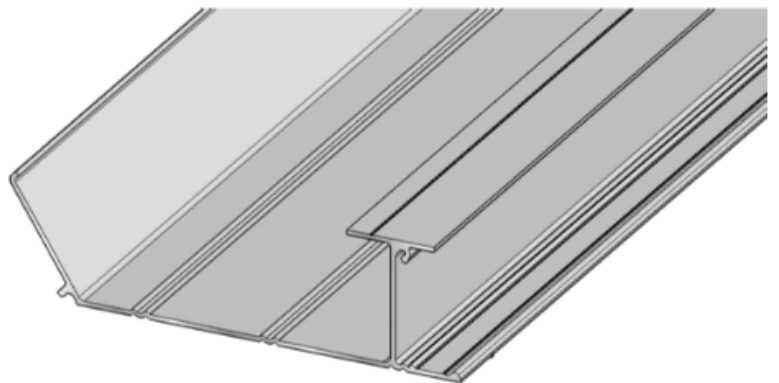
Start Board

2" START BOARD

If a 2" start board was NOT INCLUDED, then measure and rip a 4" multi board to create a 2" start board.

6" MAIN BOARD

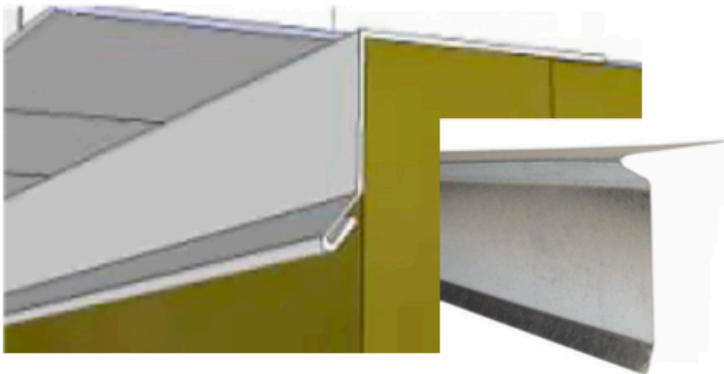
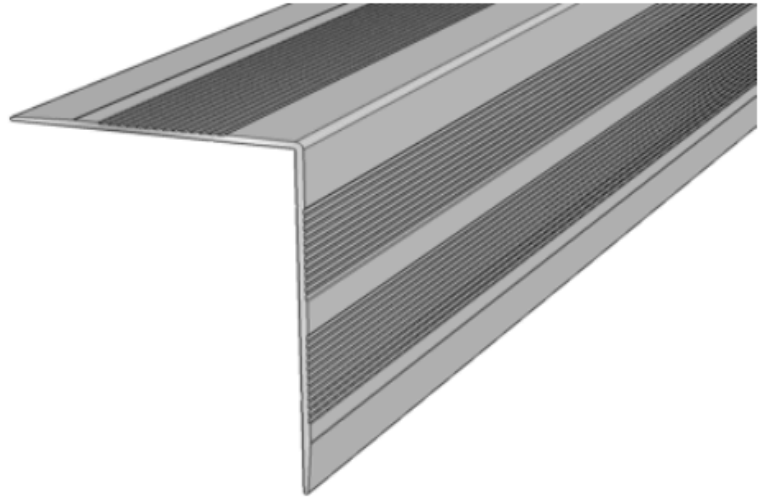
The 6 inch wide and 2 inch tall board will make up the majority of the DryJoistEZ system.



TRIM AND FLASHING COMPONENTS

2" X 3" PROFILE TRIM

Wahoo Decks provides a color matched rigid profile trim that is installed on the open sides of the deck where it is not flashed against a wall. *(See Step 8)*



DRIP EDGE

This is installed between the header board and DryJoistEZ at the drainage end of the deck. It is helpful for prolonging the life of your deck framing by helping to prevent water infiltration at the header board under the DryJoistEZ.

4"X3" LEDGER FLASHING

This is the flashing that is installed above and below the DryJoistEZ boards at the ledger. *(See Steps 2 & 5)*



INSTALLATION

STEP 1: MEASURE & PRECUT

DryJoistEZ boards should be cut to their desired length prior to installation.

Remember when measuring, unlike wood joists that are cradled by hangers and suspended between the ledger and supporting beam, DryJoistEZ is secured on top of these perimeter joists.

A two inch (2") overhang is strongly recommended at the header beam to allow water to run off the channels.

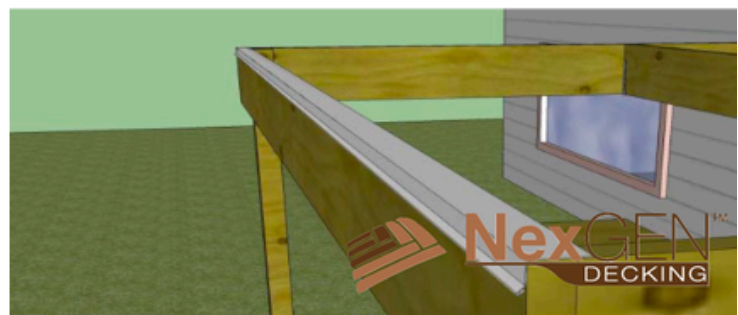
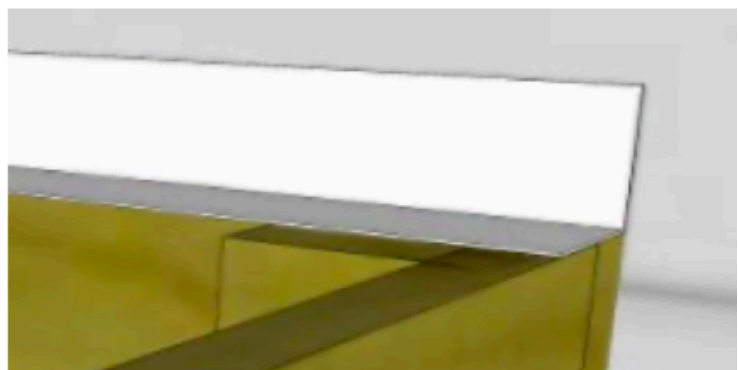
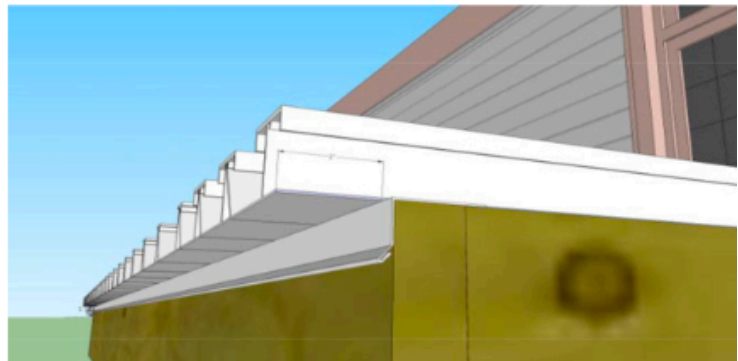
If a 2" Start board was NOT INCLUDED then measure and rip a 4" Multi board to create a 2" Start board. (See Page 3)

STEP 2: FLASHING

It is important to have an even and clean ledger and drip edge flashing surface to seal the DryJoistEZ to. It is also ideal to have the vertical side of the ledger flashing installed behind the first course of siding.

Install the drip edge flashing on top of the drainage end header beam. The drip ledge should be facing down.

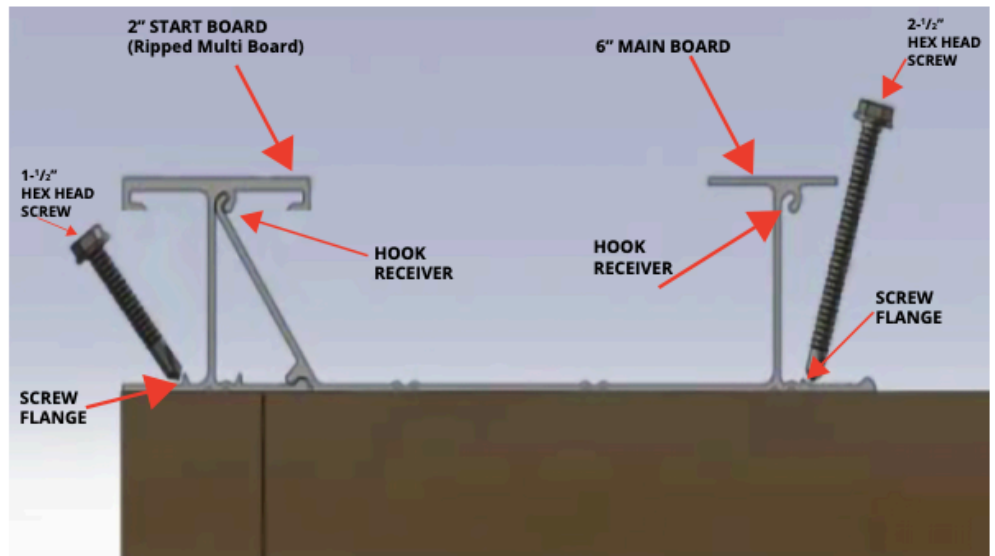
**The drip edge will be held in place by the fasteners used to install the DryJoistEZ boards on the header beam.*



STEP 3: FASTENING BOARDS

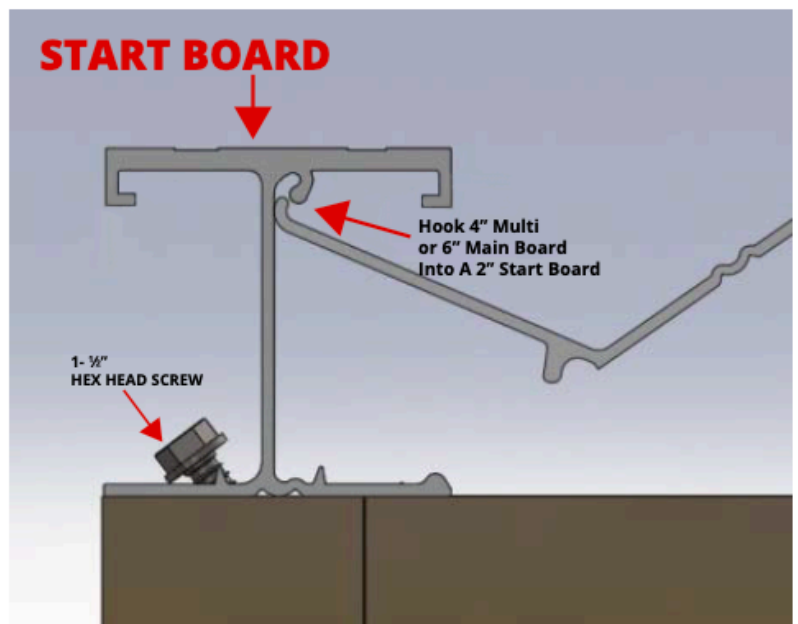
Before fastening your DryJoistEZ boards, make sure the Hook Receiver side of the ripped 4" multi-board is facing toward the inside of the deck so you can attach the next 4" DryJoistEZ multi-board to your ripped multi-board (2" Start board).

Use the self-drilling hex head fasteners provided with your system to secure the DryJoistEZ multi-board to the framing. Use the 1-½" hex head fasteners on the start board and fasten the edges every 24" along the rim joist.



To install your first 4" multi-board or 6" main board to the 2" Start board, tilt the board at an angle and slide the hook edge up into the hook receiver of the 2" ripped multi-board. After the first 4" or 6" board is installed and secured, continue installing the remaining joists by repeating either 6" main board or 4" multi-board profiles.

Both the 6" main board and the 4" multi-board have Screw Flanges for positioning your self-drilling hex head fasteners that came with your materials. You should install a 2-½" hex head fastener at every point where a DryJoistEZ board crosses a beam.

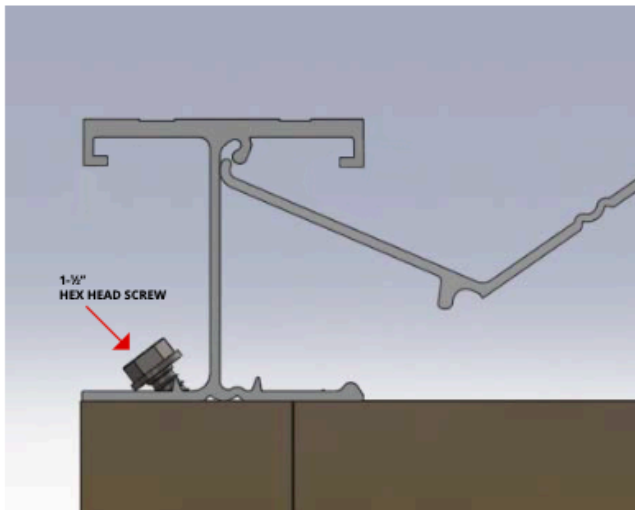


STEP 4: SECURE 4" & 6" BOARDS

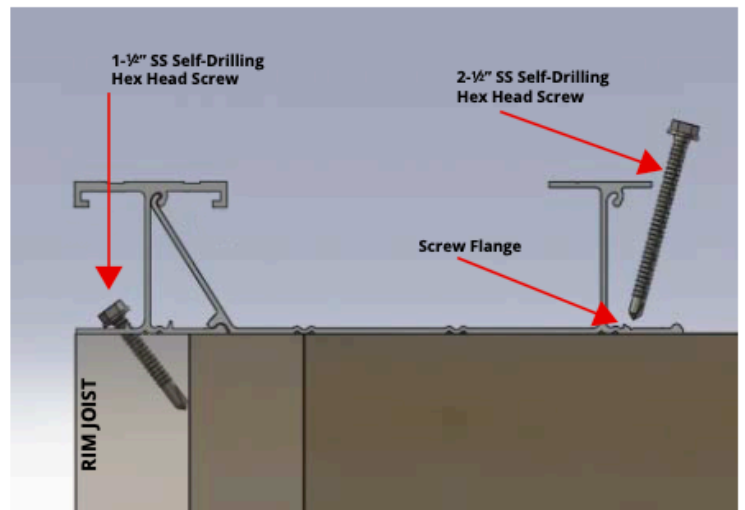
Use the 2-½" stainless steel self-drilling hex head fasteners provided when installing the 6" main boards and 4" multi-boards on the interior of your deck layout.

On longer runs, you will need at least three people; two positioned approximately two feet from each end and the other(s) spaced along the middle of the board. **YOU MUST PERFORM THIS OPERATION IN UNISON.**

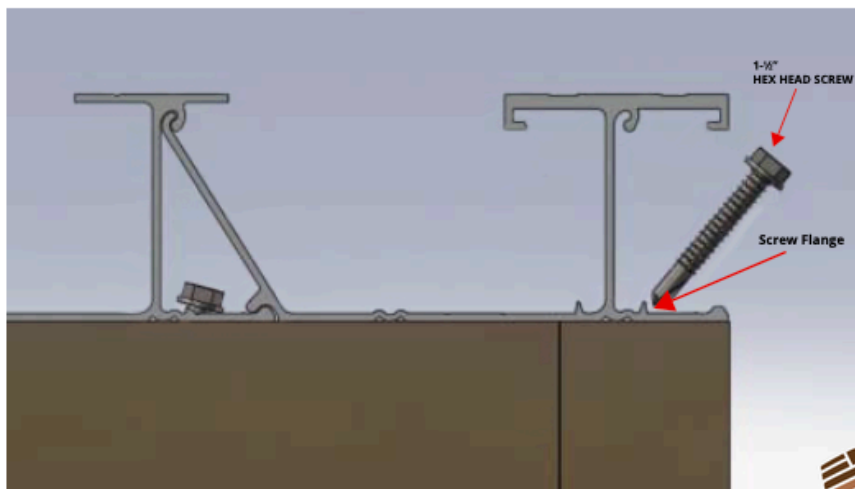
When time to install the final 4" multi-board, secure the same way you did the 2" start board, with a 1-½" stainless steel fastener, to the outer edge of the board; this will also give the substructure a finished appearance.



START BOARD INSTALLATION

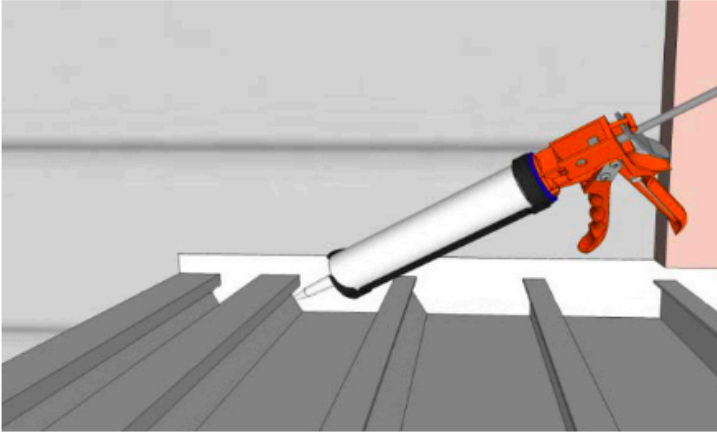


6 INCH MAIN BOARD INSTALLATION

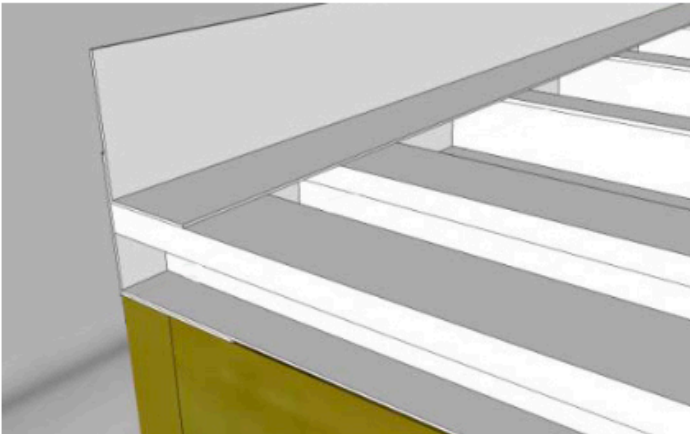


4 INCH MULTI/END BOARD INSTALLATION

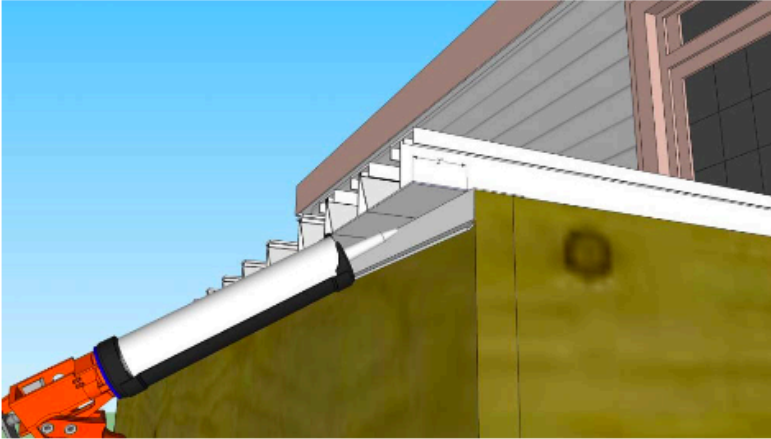
STEP 5: SEALING PROFILE



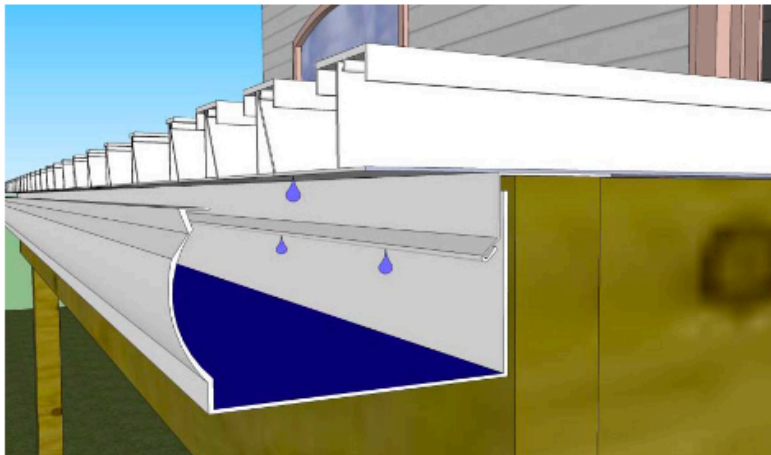
Using an exterior flashing sealant, seal the profile of each DryJoistEZ board to the ledger flashing. Make sure the aluminum is clean and free of debris before sealing.



STEP 6: SEALING DRIP EDGE

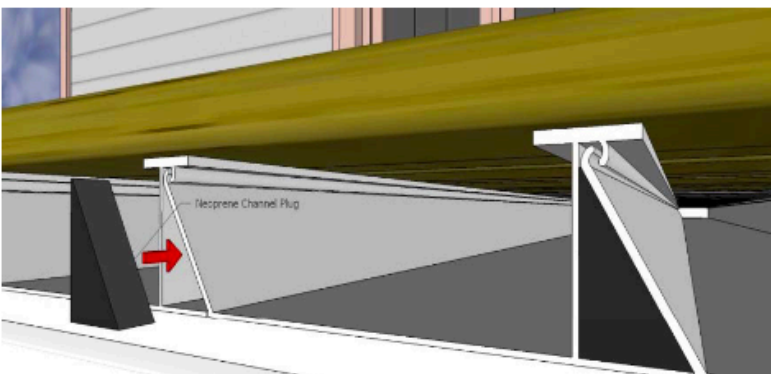


Using an exterior flashing sealant, seal between the DryJoistEZ boards and the drip edge flashing. Make sure the aluminum is clean and free of debris before sealing.



Any water that runs back under the bottom of the DryJoistEZ will hit the drip edge flashing and then drop into the gutter, if installed. *(Gutter not provided)*

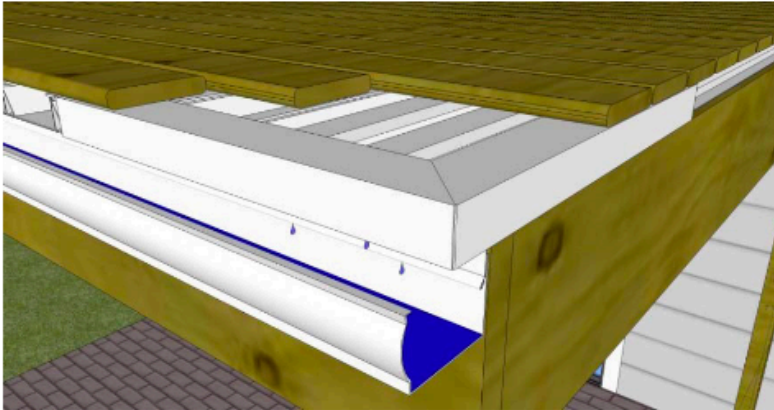
STEP 7: INSTALL CHANNEL PLUGS



Install the supplied neoprene channel plugs into each dry channel *before* installing the profile trim.

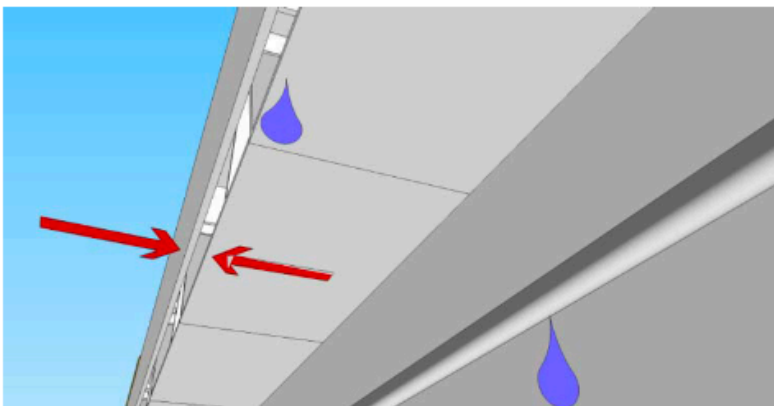


STEP 8: INSTALL PROFILE TRIM



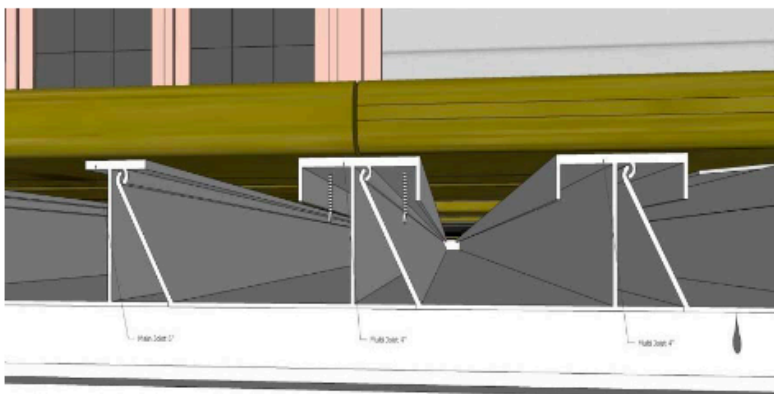
The 2"x3" Profile Trim should be installed before the decking. Use rivets or temporary screws to hold in place. The decking boards will be fastened through the trim, holding the trim permanently in place.

Be sure the rail anchors are in place BEFORE installing the trim and decking. (See Page 14)



Make sure to leave at least a $\frac{3}{8}$ " gap between the profile trim and DryJoistEZ at the drainage end to allow water and debris to drain out freely.

STEP 9: SECURING DECKING

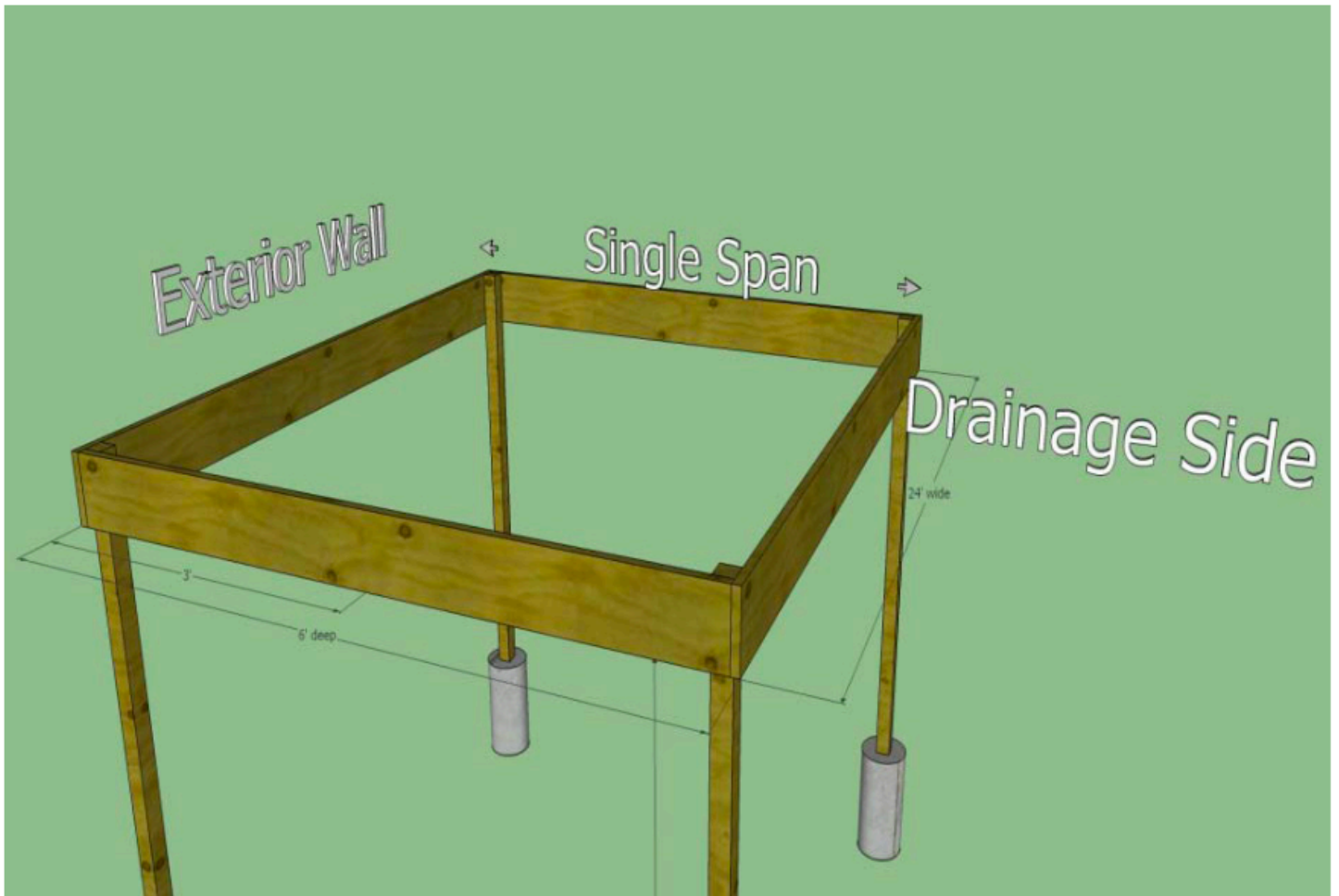


The decking can be secured via surface mounting or with hidden fasteners.

All cut joints in the deck board should be aligned on top of a multi-board. These multi boards will need to be placed in desired locations at the time of installation.



LOAD & SPAN CHARTS

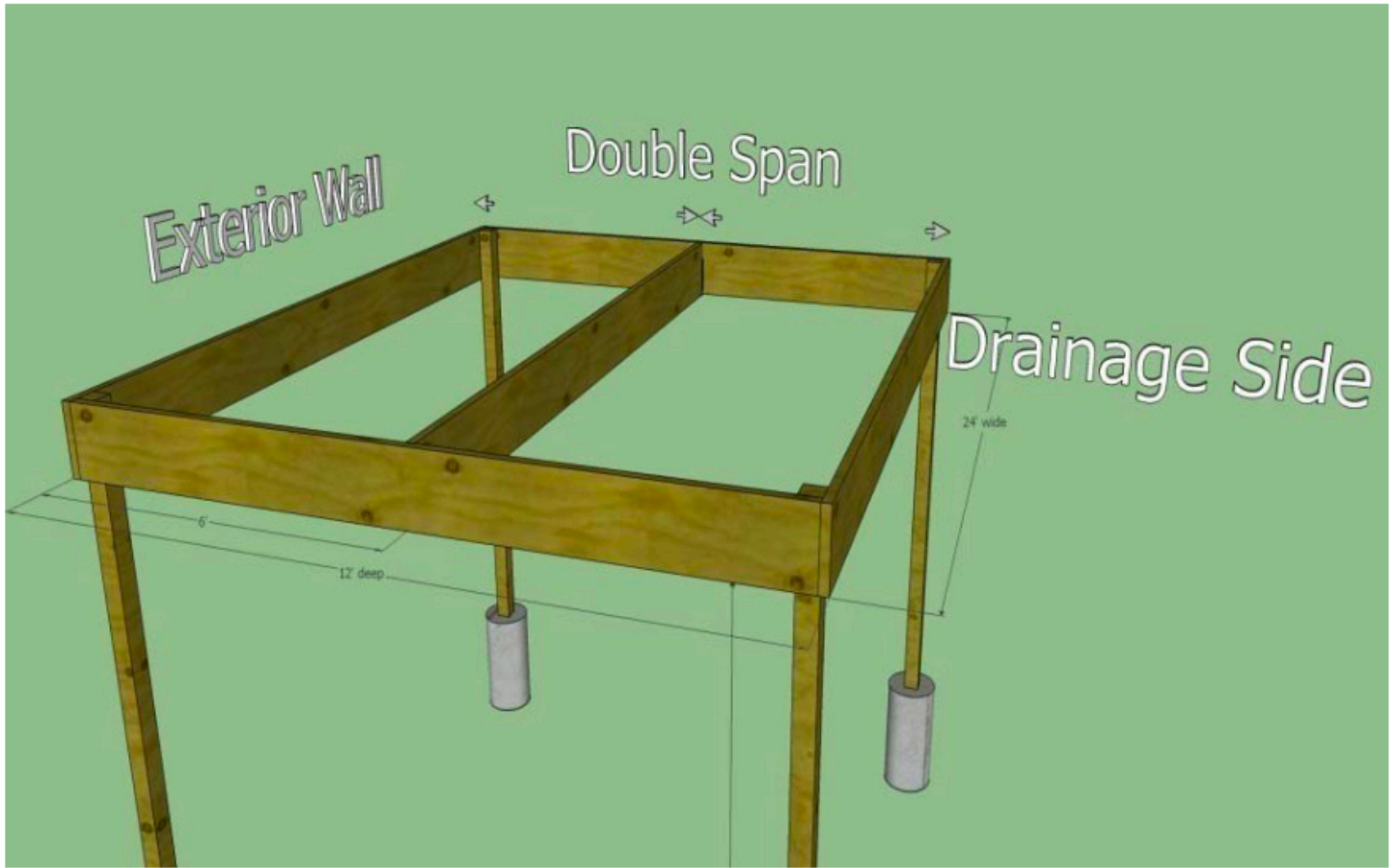


6' DEEP X 24' WIDE SAMPLE FRAMING

Single-Span, Total Load (PSF) Span Length, ft. TL (PSF)

Joist Spacing	L/180	L/240	L/360
4'	447.58	335.68	223.79
5'	229.16	171.87	114.58
6'	123.29	99.46	66.31
7'	66.55	62.64	41.76
8'	39.01	39.01	27.97
9'	24.35	24.35	19.65
10'	15.98	15.98	14.32

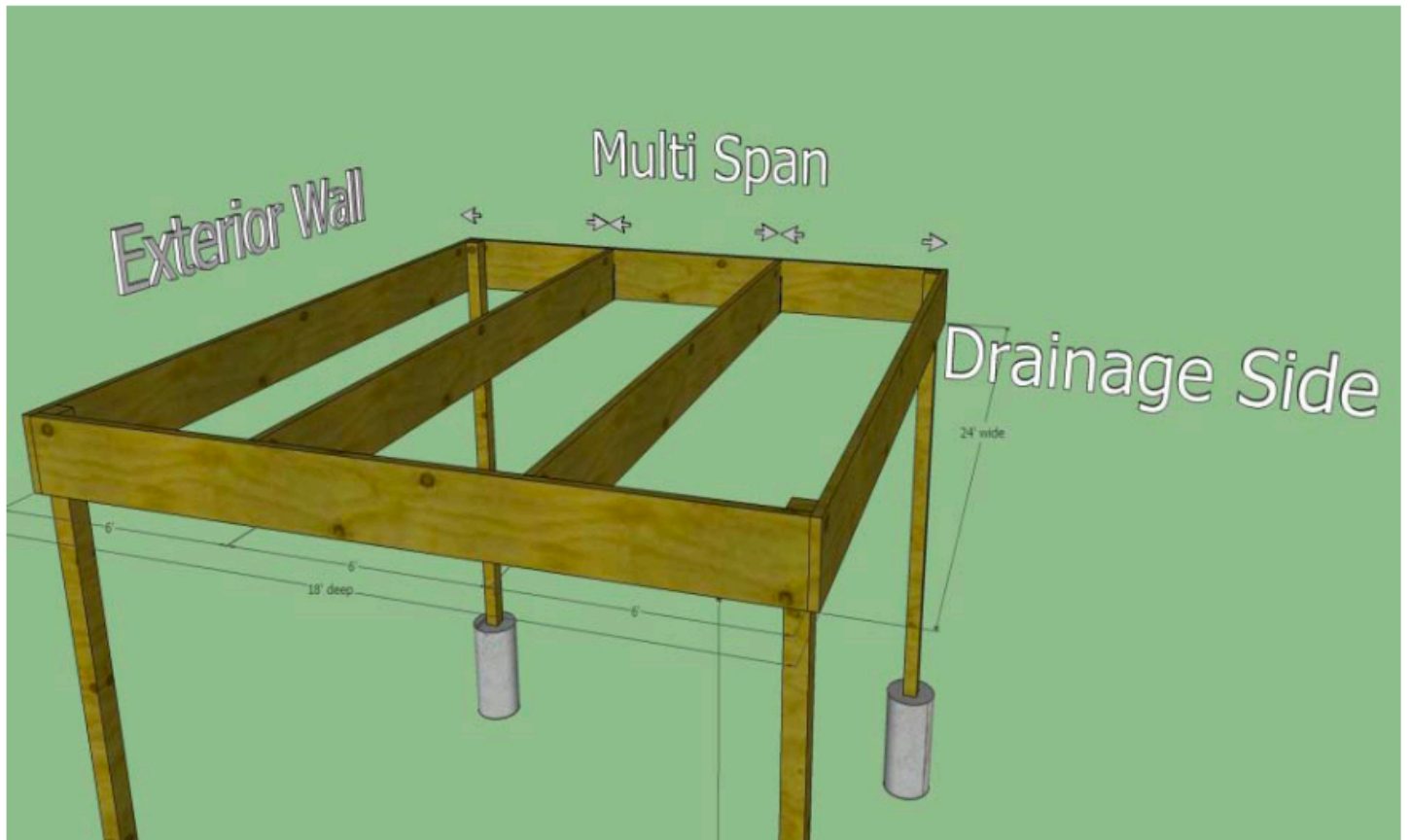




12' DEEP X 24' WIDE SAMPLE FRAMING

**Double-Span, Total Load (PSF)
Span Length, ft. TL (PSF)**

Joist Spacing	L/180	L/240	L/360
4'	828.26	808.62	539.08
5'	454.50	414.01	276.01
6'	219.18	219.18	159.73
7'	118.31	118.31	100.59
8'	69.35	69.35	67.38
9'	43.30	43.30	43.30
10'	28.41	28.41	28.41

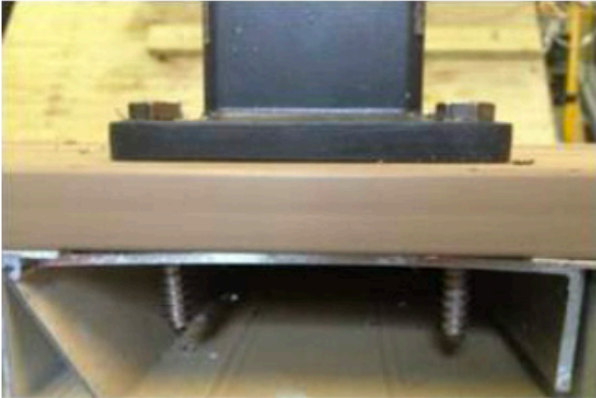


18' DEEP X 24' WIDE SAMPLE FRAMING

**Double-Span, Total Load (PSF)
Span Length, ft. TL (PSF)**

Joist Spacing	L/180	L/240	L/360
4'	1397.69	1397.69	1118.95
5'	766.96	766.96	572.90
6'	369.87	369.87	331.54
7'	199.65	199.65	199.65
8'	117.03	117.03	117.03
9'	73.06	73.06	73.06
10'	47.94	47.94	47.94

TOP MOUNT RAIL POSTS & RAIL ANCHOR INSTALLATION



By installing rail anchors, most standard top-mount rail posts can be integrated into DryJoistEZ's structural design.

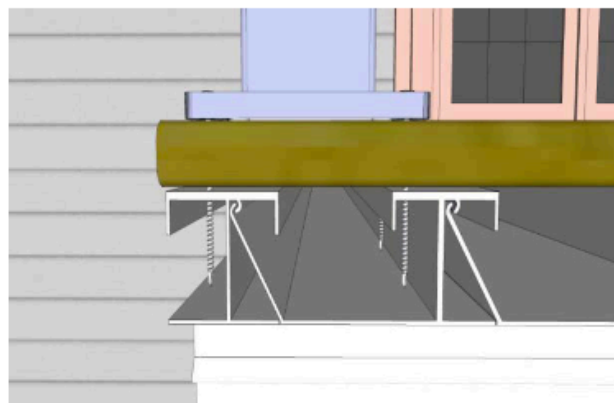
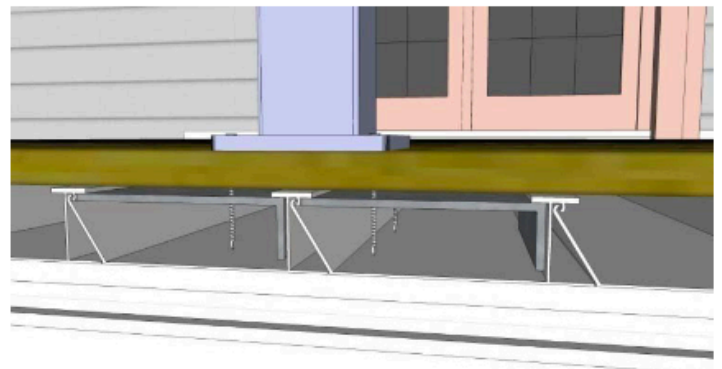
No penetration through the waterproof barrier is necessary to add railing.

(Trim Is Not Shown In Photo)

For mounting at 6" Main boards, slide the rail anchor into the water channels before you install your trim and deck boards. After the decks surface boards have been installed, secure your rail mounts through deck boards and into the rail anchors. Pre-drilling of the rail anchors is required.

NEVER ATTACH RAIL POSTS TO THE 6" MAIN BOARDS.

(Trim Is Not Shown In Illustration)



Alternatively, two Multi boards can be used to mount railing posts.

(Trim Is Not Shown In Illustration)



- **Ultra low maintenance:**
The marine-grade aluminium and powder coat finish requires no specific upkeep outside of periodic cleaning
- **Durable:**
DryJoist is impervious to insects and will not split, splinter, decay, crack or rot
- **Family Friendly:**
No harmful chemicals yet easy to clean and stain resistant
- **Waterproof:**
DryJoist's unique design creates a 100% waterproof space beneath deck suitable for interior conditioned space or outdoor patio.
- **Non-combustible:**
Complies with all BAL ratings including FZ (Flame Zone) with appropriate decking

20
NexGen DECKING
Year Limited Warranty

WWW.NEXGENDECKING.COM.AU



FIRE PROOF



STAIN RESISTANT



SCRATCH RESISTANT



MOLD RESISTANT



WEATHER RESISTANT



TERMITE RESISTANT



FADE RESISTANT



RECYCLED CONTENT



ULTRA
LOW MAINTENANCE



SUSTAINABLE