

Made in Australia

Global GreenTag, Level A verified materials

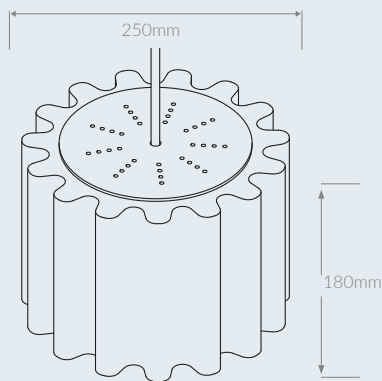


DATASHEET & SPECIFYING INFORMATION

250MM OPERA PENDANT

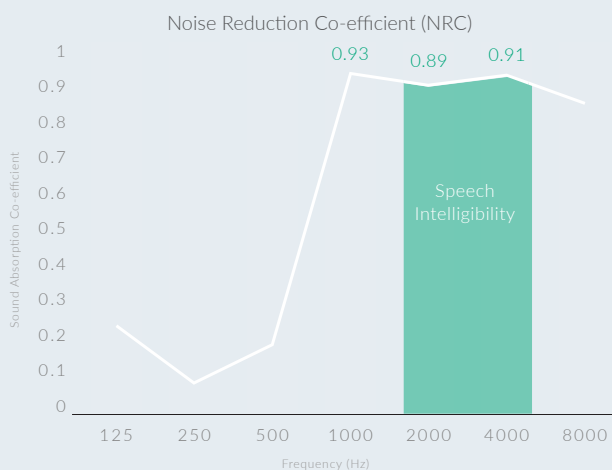
DIMENSIONS

Small Pendant



Input voltage: 240v
Luminous Flux: 800 lm
Recommended light source: 8W G125 E27 Opal Matte bulb
MUST USE LED E27 BULB - MAX.12W

Colour rendering index: 90Ra
Suspension weight: < 1 kg
Driver rating: IP20
Colour temperature: 3000k



Results: Reverberation Times, Acoustic Performance and Absorption Co-efficient

Frequency (Hz)	23/10/2019 Measured Reverberation Time (seconds)	06/11/2019 Measured Reverberation Time (seconds)	Difference in acoustic performance (m ² Sabin)	Calculated absorption coefficient: of tested light fittings
125	0.93	0.78	1.4	0.24
250	0.78	0.74	0.4	0.07
500	0.55	0.49	1.0	0.17
1k	0.60	0.40	5.4	0.93
2k	0.57	0.40	5.2	0.89
4k	0.60	0.47	5.3	0.91
8k	0.47	0.34	4.9	0.85

For additional information on acoustic testing please visit the Sound Lab on our website or request full testing reports.



END-OF-LIFE MANAGEMENT PROGRAM

We ask that products are returned to Acustico Lighting. We have agreements in place with our suppliers who commit to upcycling approximately 80% of the materials.

CANOPY DETAILS

C1 comes as standard.
Colour: Champagne

C1



SPECIFYING INFORMATION

Projects are complex.

In order to preserve the correct details being passed from one contractor to the next over the course of your project, please use the following information in your schedule to specify our lights.

QUANTITY	PROFILE	DIAMETER	LIGHT SOURCE	COLOUR
<i>Eg. 3</i>	OP	250	BLB	SB

SPECIFYING OPTIONS KEY

PROFILE

OP Opera

DIAMETER (MM)

250 Small

LIGHT SOURCE

BLB Bulb E27 240v

AC Acoustic only (No light source)

LIGHT TEMPERATURE (KELVIN)

3000 Warm

COLOURS

OG Olive Green

VP Vibrant Purple

RG Rouge

MD Mustard

VG Vibrant Green

LH Light Grey

BO Burnt Orange

SB Steel Blue

CANOPY COLOUR

CH Champagne

SUSPENSION

Our lights have optimum sound absorbency of voice noise when they are hung at 2000mm or lower from FFL. Please consider this when specifying the hanging height. Our standard rod length is 1500mm and can be altered to the appropriate length on-site. Must be installed by a licensed electrician in accordance with AS/NZS 3000.

All of our products are individually assembled meaning minor variations in finish, colour and profile can occur. Slight variations are to be expected and will not be accepted as a fault or defect in the product. Colours and finishes as viewed on printed and digital sources are representative only and may not appear identical to the finished product. Acustico Lighting reserves the right to change the specification, material and colours at any time without notice. Standard warranty terms and conditions apply. All rights reserved. © Sept 2020

