

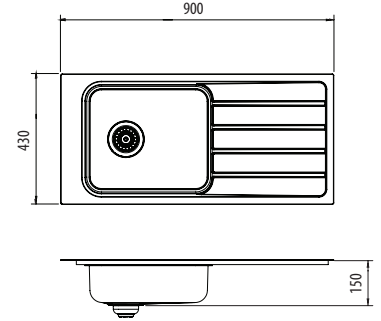
Puro

PU2820

Single Bowl Topmount Care Sink With Drainer



All dimensions in mm



REVERSIBLE SINK

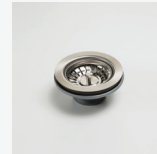
Your installer will install depending on which side you require your sink's bowl and drainer.

Also available with 1 taphole (PU2825)

Specifications /

Sink size	900W x 430H x 150D mm
Bowl size	Main Bowl 330W x 390H x 135D / 14 L
Construction	2 piece, bowls and drainer seam welded
Material	304 grade, 18/10 polished stainless steel (0.8 mm thick)
Heat protection	Supplied with insulation pad to bottom of bowl
Installation	Topmount recommended
Fixings	Adjustable clips and sealing foam supplied
Min cabinet size	500 mm
Tap holes	Available 0 or 1 tap hole (specify when ordering)
Waste fittings	1 x 90 mm basket waste included
Overflow	Not available
Carton size	986 x 518 x 230 mm
Weight	5.0 kg
Warranty	Lifetime manufacturer's warranty (refer to oliveri.com.au)
Maintenance and care instructions	All surfaces should be cleaned with mild liquid detergent or soap and water. To maintain the shine on your Oliveri stainless steel sink, we recommended the use of any of the easy to obtain, non-abrasive stainless steel cleaners or metal polishes.

Included accessories /



AC14
Basket Waste