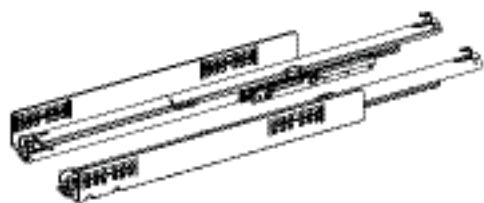


AvanTech YOU double walled drawer system

- ▶ **Quadro YOU drawer runner with Silent System**
- ▶ **For AvanTech YOU or wooden drawers**

11 B Quadro YOU drawer runner with Silent System



- ▶ Full extension runner for combining with AvanTech YOU system drawer or wooden drawer with catches
- ▶ Integrated Silent System
- ▶ Optionally upgradable with Push to open Silent
- ▶ Load capacity 10 / 30 kg
- ▶ Load capacity to EN 15338, Level 3
- ▶ Galvanised steel

Load class S (10 kg)

Nominal length	Order no. / Hinge side		PU
	left	right	
270	9 256 944	9 256 945	20 ea.
300	9 256 946	9 256 947	20 ea.
350	9 256 950	9 256 951	20 ea.

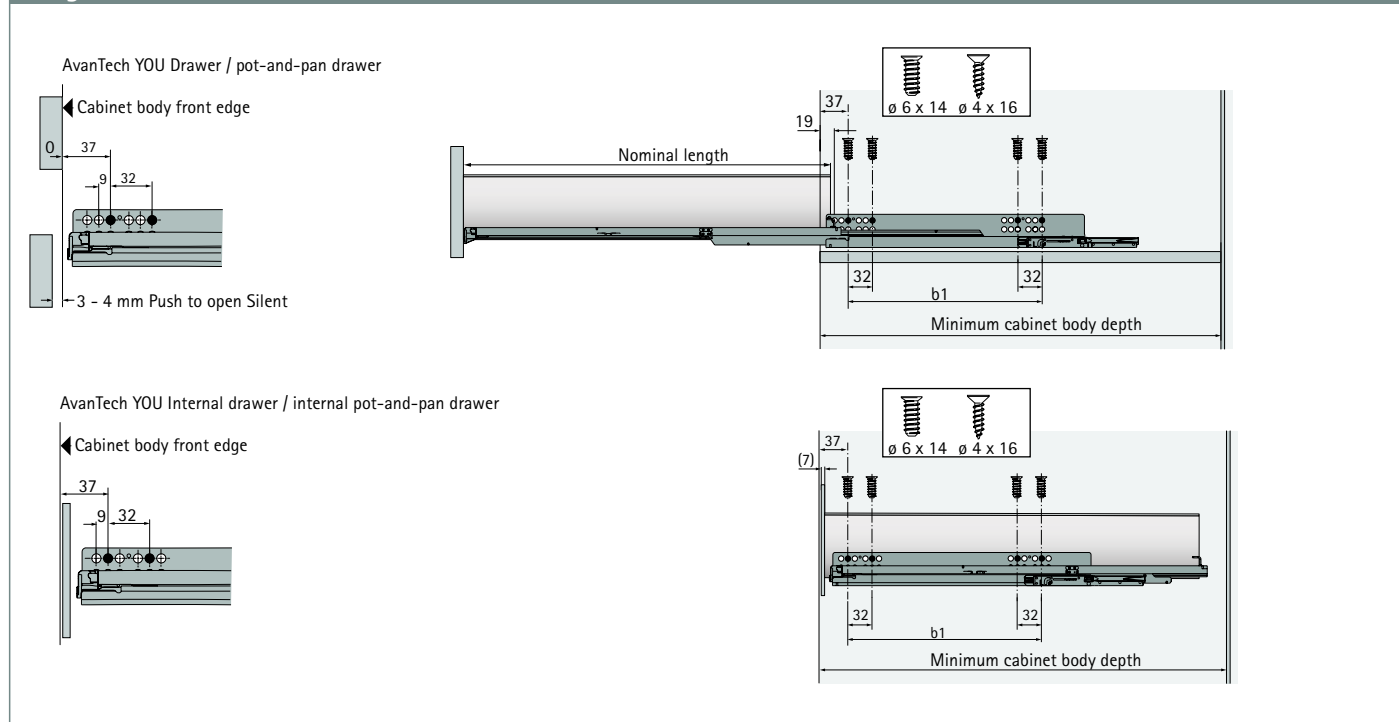
Load class M (30 kg)

Nominal length mm	Order no. / Hinge side		PU
	left	right	
270	9 256 854	9 256 855	20 ea.
300	9 256 856	9 256 857	20 ea.
350	9 256 860	9 256 861	20 ea.
400	9 256 864	9 256 865	20 ea.
450	9 256 868	9 256 869	20 ea.
500	9 256 872	9 256 873	20 ea.
550	9 256 876	9 256 877	20 ea.
600	9 256 880	9 256 881	20 ea.

AvanTech YOU double walled drawer system

- ▶ Quadro YOU drawer runner with Silent System
- ▶ For AvanTech YOU or wooden drawers

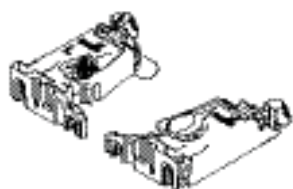
Lengthwise cross-section



Installation dimensions with Silent System / Push to open Silent

Nominal length mm	Hole spacing b1 mm	Drawer / pot-and-pan drawer Minimum cabinet body depth mm	Internal drawer / internal pot-and-pan drawer Minimum cabinet body depth mm
270	160	273	282
300	160	303	312
350	224	353	362
400	224	403	412
450	256	453	462
500	256	503	512
550	256	553	562
600	256	603	612

Quadro YOU catch



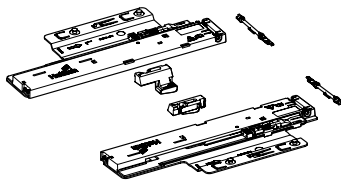
- ▶ For using Quadro YOU with wooden drawers
- ▶ Height adjustment up to + 3 mm
- ▶ Plastic

Cabinet side	Order no.	PU
left / right	9 257 262	1 pair
left	9 257 260	100 ea.
right	9 257 261	100 ea.

AvanTech YOU double walled drawer system

► Push to open Silent opening system for Quadro YOU

Push to open Silent opening system for Quadro YOU



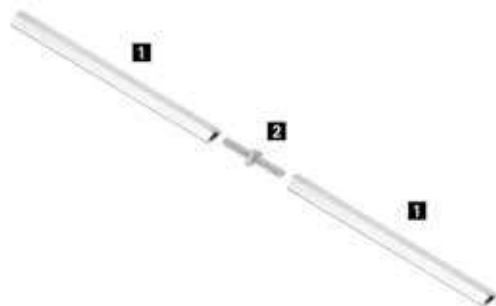
- Can be used with AvanTech YOU system drawer on Quadro YOU drawer runner with Silent System
- Optional synchronisation possible

Set comprises:

- 1 Push to open Silent unit, left and right
- 1 activator, left and right
- 2 adapters for synchronisation

Total weight kg	Load class Quadro kg	Nominal length mm	Order no.	PU
< 10	10	270 - 350	9 257 894	1 set
8 - 20	30	270 - 600	9 257 895	1 set
10 - 30	30	350 - 600	9 257 896	1 set

Optional synchronisation for Push to open Silent



- Recommended for cabinet bodies in widths of 600 mm and over

Synchronisation bar:

- For cutting to length
- Length 2000 mm
- Aluminium anodised

Connector:

- For connecting 2 synchronisation bars
- Plastic, grey.

Article	Order no.	PU
1 synchronisation bar	9 236 718	1/100 each
2 connectors	9 221 295	1/20 each

AvanTech YOU double walled drawer system

► Push to open Silent opening system for Quadro YOU

Recommendation for drawer (front panel height up to approx. 150 mm, light loading)*

Nominal length mm	Nominal width mm												
	275	300	350	400	450	500	550	600	700	800	900	1000	1200
270													
300													
350													
400													
450													
500													
550													
600													

Recommendation for pot-and-pan drawer (front panel height up to approx. 300 mm, medium duty loading)*

Nominal length mm	Nominal width mm												
	275	300	350	400	450	500	550	600	700	800	900	1000	1200
270													
300													
350													
400													
450													
500													
550													
600													

Recommendation for pot-and-pan drawer, heavy duty (front panel height up to approx. 300 mm, heavy duty loading, e.g. with stacks of plates)*

Nominal length mm	Nominal width mm												
	275	300	350	400	450	500	550	600	700	800	900	1000	1200
270													
300													
350													
400													
450													
500													
550													
600													

Order no. Push to open Silent:

9 257 894

9 257 895

9 257 896

* Recommendations for applications (front panel 19 mm chipboard, normal household loading), please refer to our online configurator to get more exact recommendations for customer chosen front panel dimensions and materials.

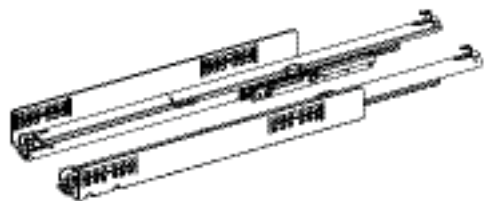


Further information:
<https://www.hettich.com/short/8815e9>

AvanTech YOU double walled drawer system

- ▶ Quadro YOU drawer runner with Push to open
- ▶ For AvanTech YOU or wooden drawers

11 B Quadro YOU drawer runner with Push to open



- ▶ Full extension runner for combining with AvanTech YOU system drawer or wooden drawer with catches
- ▶ Integrated Push to open opening mechanism
- ▶ Optionally upgradable with synchronisation
- ▶ Load capacity 30 kg
- ▶ Load capacity to EN 15338, Level 3
- ▶ Galvanised steel

Load class M (30 kg)

Nominal length mm	Order no. / Hinge side		PU
	left	right	
270	9 256 899	9 256 900	20 ea.
300	9 256 901	9 256 902	20 ea.
350	9 256 905	9 256 906	20 ea.
400	9 256 909	9 256 910	20 ea.
450	9 256 913	9 256 914	20 ea.
500	9 256 917	9 256 918	20 ea.
550	9 256 921	9 256 922	20 ea.
600	9 256 925	9 256 926	20 ea.

Synchronisation for Quadro Push to open



- ▶ Use recommended on cabinet bodies in a width of 600 mm and over
- ▶ For nominal lengths of 250 - 600 mm
- ▶ Synchronisation bar for cutting to length, up to max. cabinet body width of 2000 mm, can be extended with connector
- ▶ Cannot be used with Quadro partial extension runners

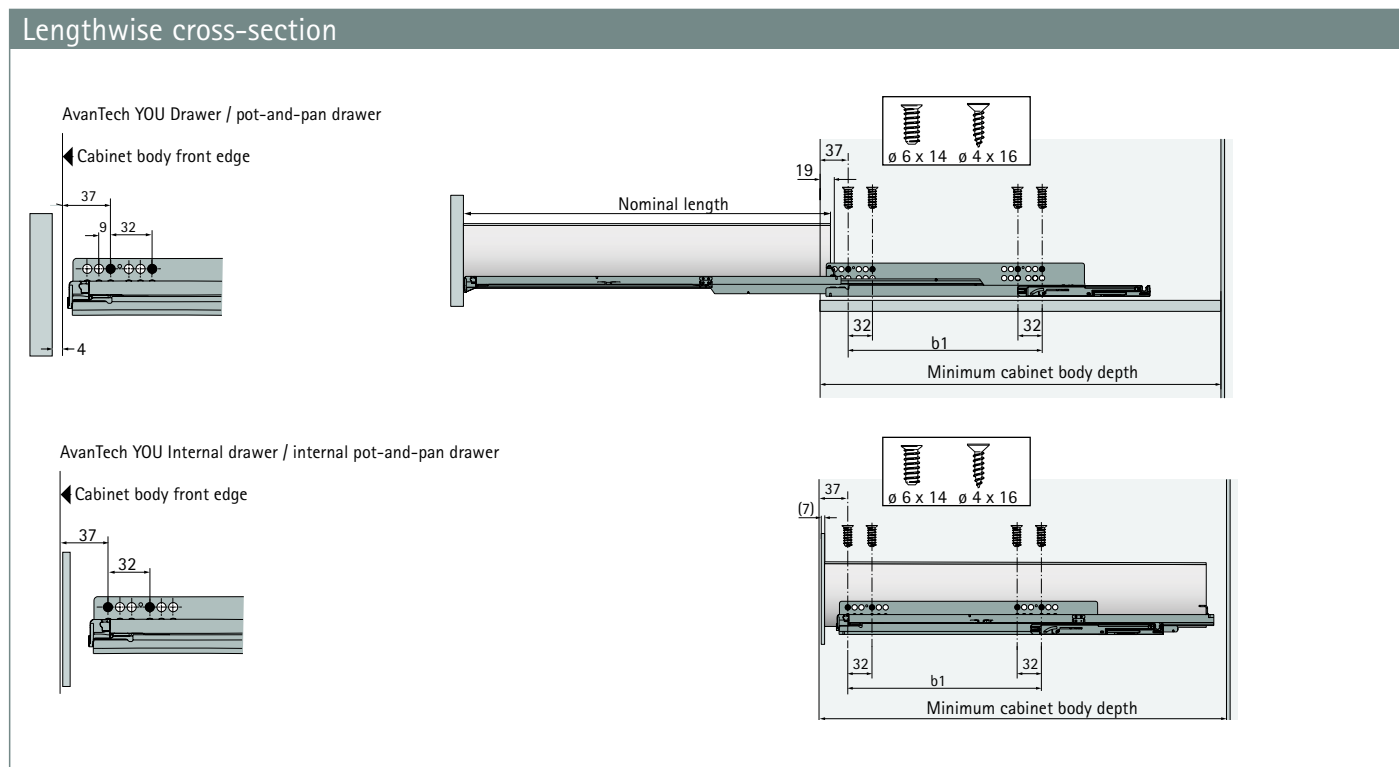
The following items are required for use:

- ▶ 1 synchronisation bar
- ▶ 2 adapters
- ▶ Waste can be minimised using the connector

Article	Order no.	PU
1 Synchronisation bar	9 236 718	1/100 ea.
2 Adapter, type A	9 219 966	1/200 ea.
3 Connector	9 221 295	1/20 ea.

AvanTech YOU double walled drawer system

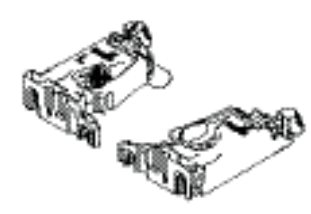
- ▶ Quadro YOU drawer runner with Push to open
- ▶ For AvanTech YOU or wooden drawers



Installation dimensions with Silent System / Push to open Silent

Nominal length mm	Hole spacing b1 mm	Drawer / pot-and-pan drawer Minimum cabinet body depth mm	Internal drawer / internal pot-and-pan drawer Minimum cabinet body depth mm
270	160	273	291
300	160	303	321
350	224	353	371
400	224	403	421
450	256	453	471
500	256	503	521
550	256	553	571
600	256	603	621

Quadro YOU catch



- ▶ For using Quadro YOU with wooden drawers
- ▶ Height adjustment up to + 3 mm
- ▶ Plastic

Cabinet side	Order no.	PU
left / right	9 257 262	1 pair
left	9 257 260	100 ea.
right	9 257 261	100 ea.