



# Rise

## by Adam Goodrum

---

<b>Product Description</b>	Designed to its most basic elements, Rise is the epitome of sophistication. Goodrum's love of geometry and paper folding gave form to the gentle sweeps that rise towards the centre-fold. This overall geometric simplicity emphasises the natural topography of timber, showcasing variations in colour and grain.
<b>Panel Dimensions</b>	165mm (W) x 330mm (H) x 50mm (D)
<b>Application</b>	Interior walls
<b>Origin</b>	Designed and manufactured in Australia.
<b>Benefits</b>	Using the specialist mounting board, each panel can be easily rearranged without the need for specialist equipment.
<b>Fire Resistance</b>	Evove only uses timber species that have achieved a Group 3 rating in accordance with AS/NZ 3837.
<b>Sustainability Statement</b>	Made from sustainably sourced & FSC certified hardwoods. Each panel is made predominately from timber offcuts produced in the Evostyle workshop. The clip system and mechanical fixings allow for easy end-of-life separation and recycling.
<b>Timber &amp; Finish</b>	Panels are available in American Oak, American Walnut, Tasmanian Oak or other species on request. The finish used is an Osmo oil & wax blend which is natural, eco-friendly and non-toxic. A range of custom stains and gloss levels are available upon request.
<b>Care</b>	The finish of our surface panels has been chosen for durability in commercial setting. Made of a mixture of oil and wax, the finish is long lasting and fire retardant. Long term maintenance is simple, with limited cleaning required using Osmo cleaning products. Panels can be re-coated on site if required. Evostyle offers a product stewardship servicing program.

---

evostyle

---

+ 61 2 9627 6369  
info@evove.com.au  
evove.com.au

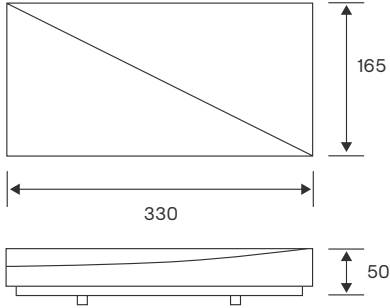
Any product-related questions  
can be directed to  
[info@evove.com.au](mailto:info@evove.com.au)

For access to 3D models,  
please email  
[info@evove.com.au](mailto:info@evove.com.au)

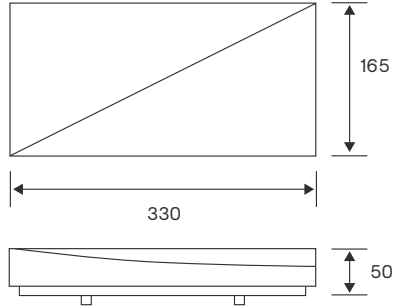
---

# Rise

by Adam Goodrum



AG-01-1-RISE-(O/W)



AG-01-2-RISE-(O/W)

## Oak Samples

Panels are also available in other timbers

## Pattern Examples

Create your own patterns at [evove.com.au](http://evove.com.au)

