

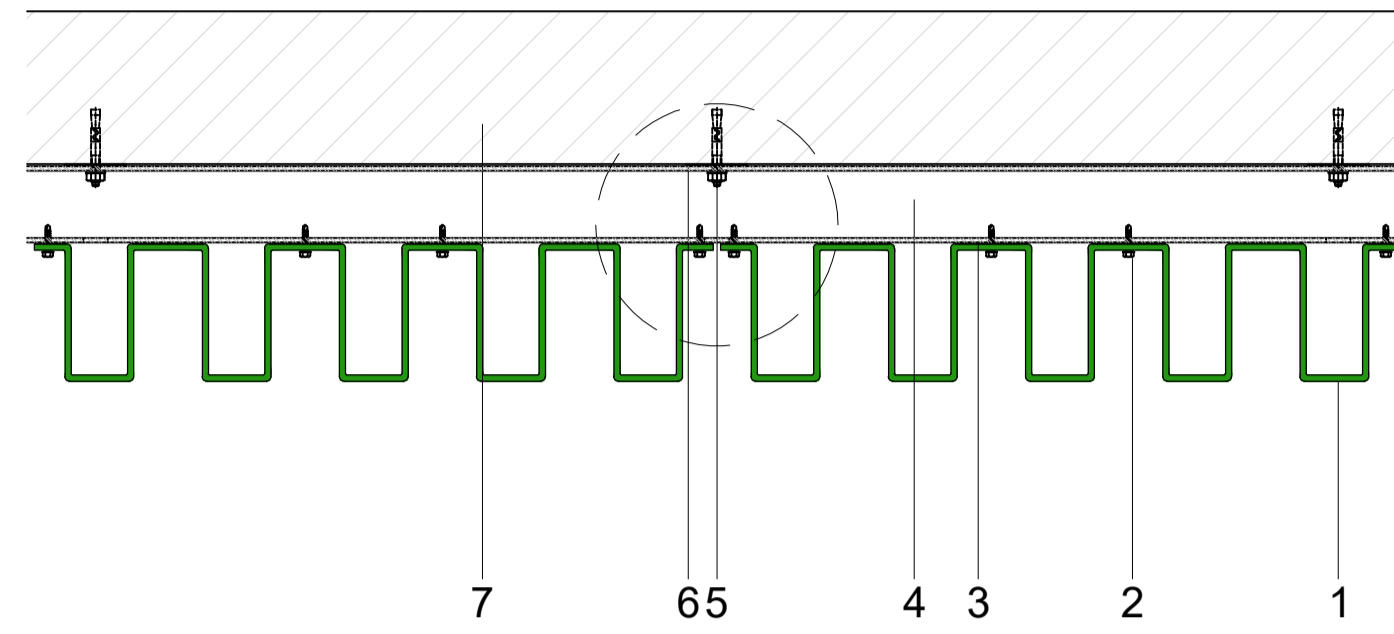


SOLIDAL® PMP
Perforated Metal Pressed Screens
R2 Details

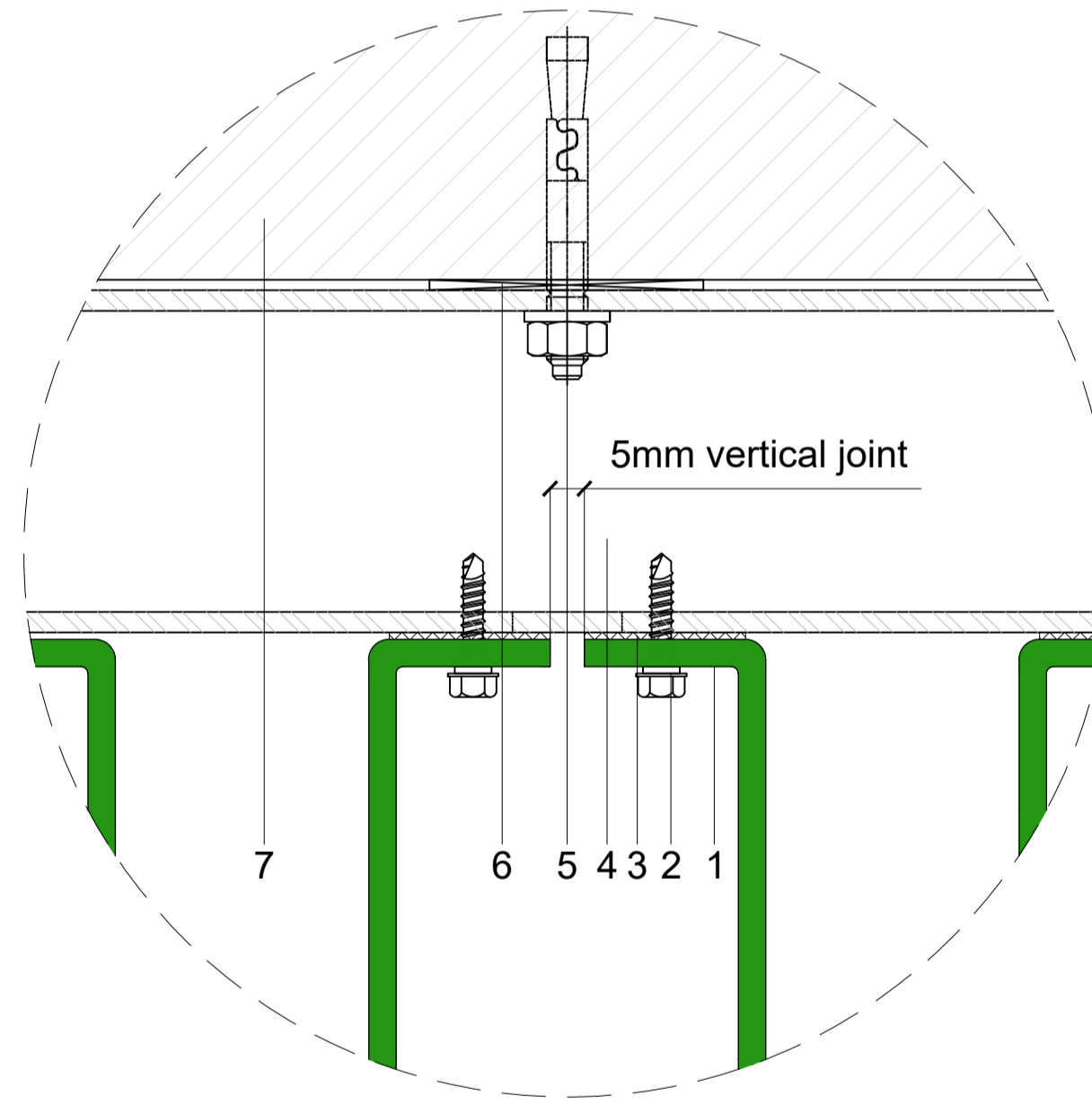
INDEX:

R2

R2 Vertical Joint Detail	1
R2 External Corner Detail	2
R2 Internal Corner Detail	3
Module Perforation Detail	4




PMP R2 Vertical Joint
 1 : 1




PMP R2 Vertical Joint Detail
 1 : 5

SOLIDAL® PMP R2
 Perforated Metal Pressed
 Vertical Joint - Typical Detail

- 1 SOLIDAL® PMP T2® | T3® | T4®
- 2 S/S Metal Tek screw w/ EPDM Gasket
- 3 Isolation Barrier
- 4 Powder Coated RHS Support Frame
- 5 Anchor Bolt
- 6 Packing as required
- 7 Building Structure

NOTE:
 All design related drawings and concepts are property of SOLIDAL®.
 Protected under Copyright Law.

PAGE:
1

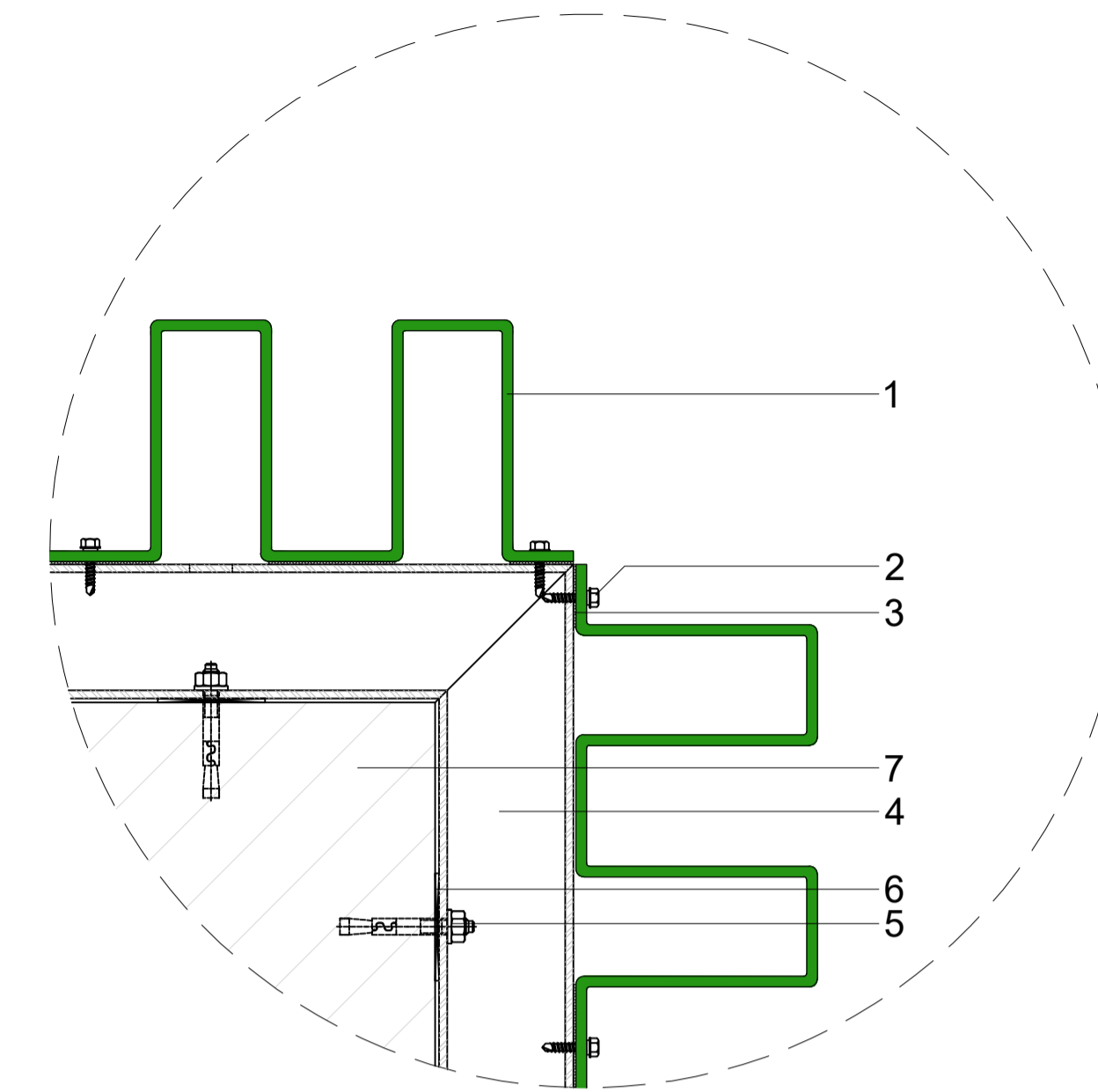
DWG NAME:
 SOLIDAL® PMP R2
 Vertical Joint Detail

SCALE:
 1:1 & 1:5 @ A1
DATE:
 21 / JUN / 2023

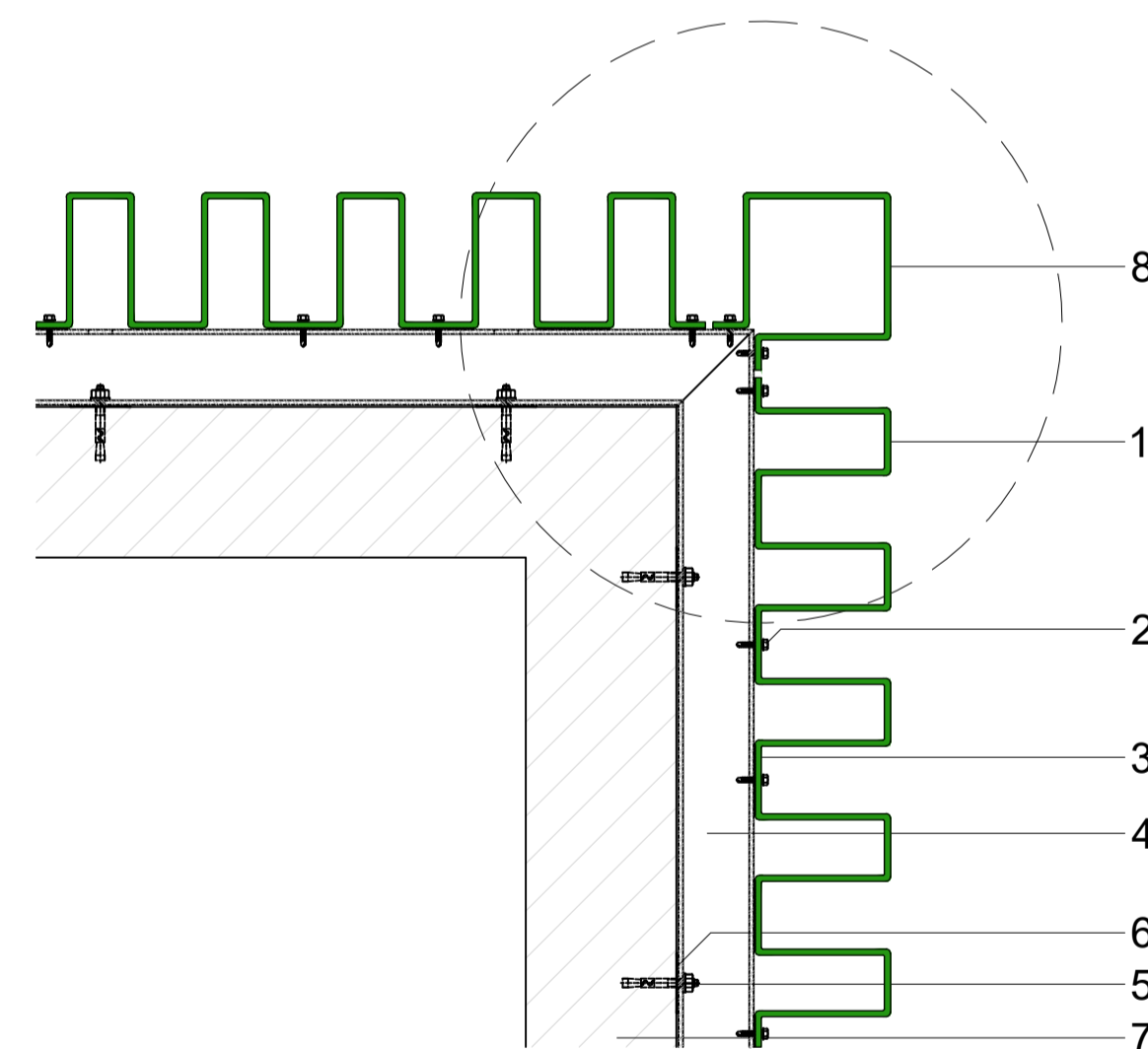
PMP
SOLIDAL®

SOLIDAL® PMP R2
Perforated Metal Pressed
External Corner 90° Detail

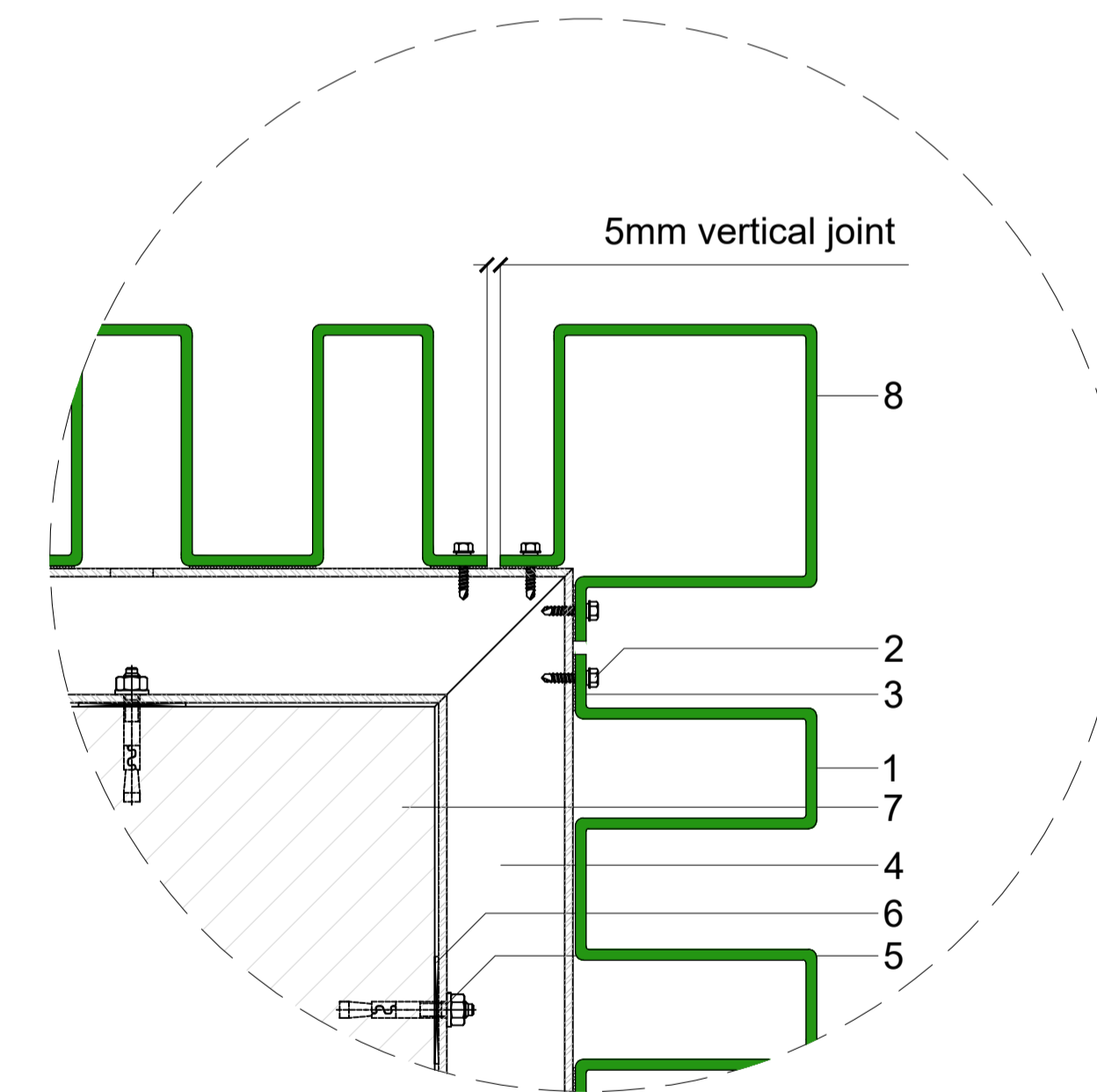
- 1 SOLIDAL® PMP T2® | T3® | T4®
- 2 S/S Metal Tek screw w/ EPDM Gasket
- 3 Isolation Barrier
- 4 Powder Coated RHS Support Frame
- 5 Anchor Bolt
- 6 Packing as required
- 7 Building Structure
- 8 SOLIDAL® PMP EC (External Corner) Module



○ PMP R2 External Corner 90° Standard Detail
1 : 2



○ PMP R2 External Corner 90°
1 : 1



○ PMP R2 External Corner 90° Optional Detail
1 : 2

NOTE:
All design related drawings and concepts are property of SOLIDAL®.
Protected under Copyright Law.

PAGE:
2

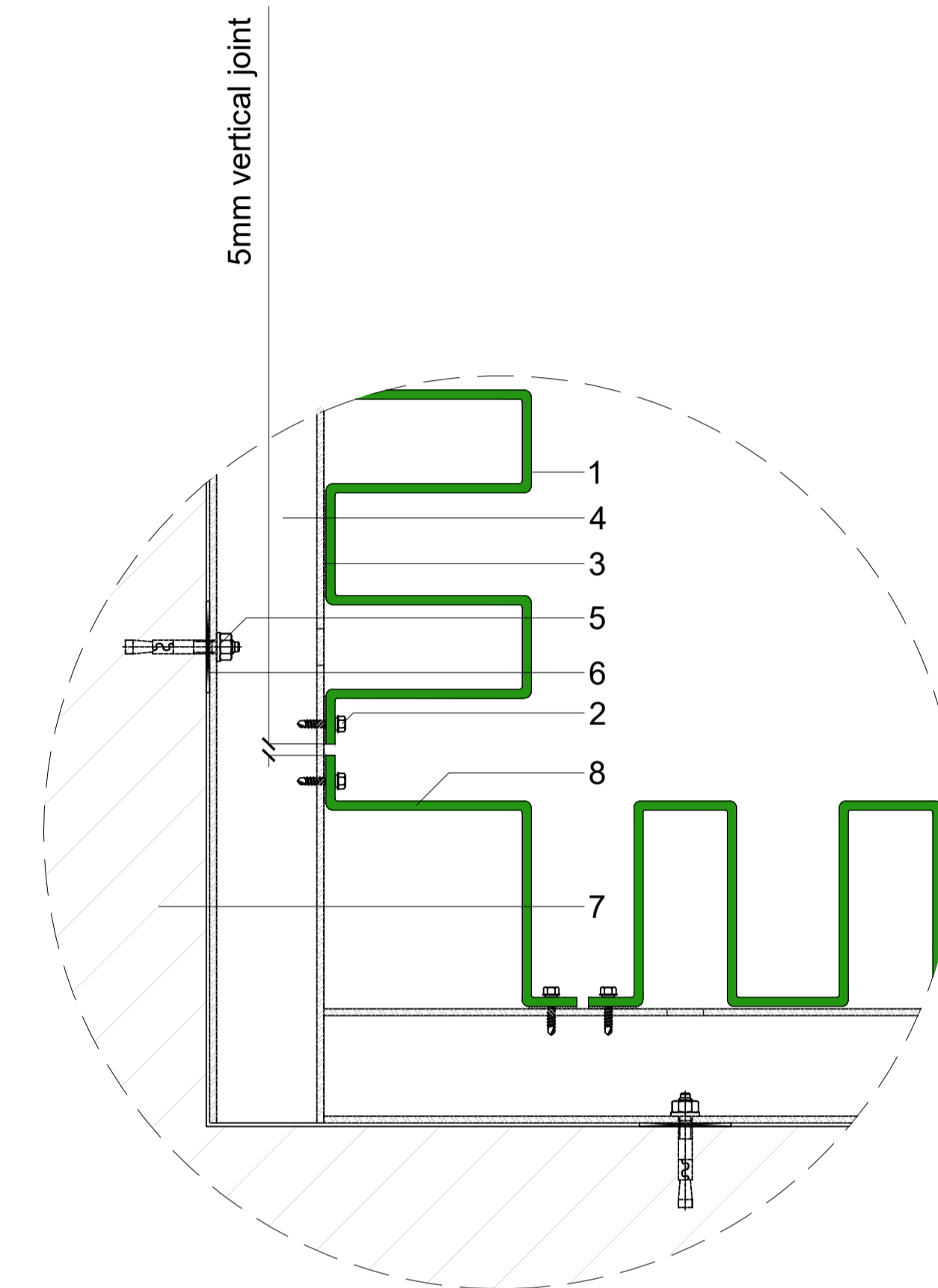
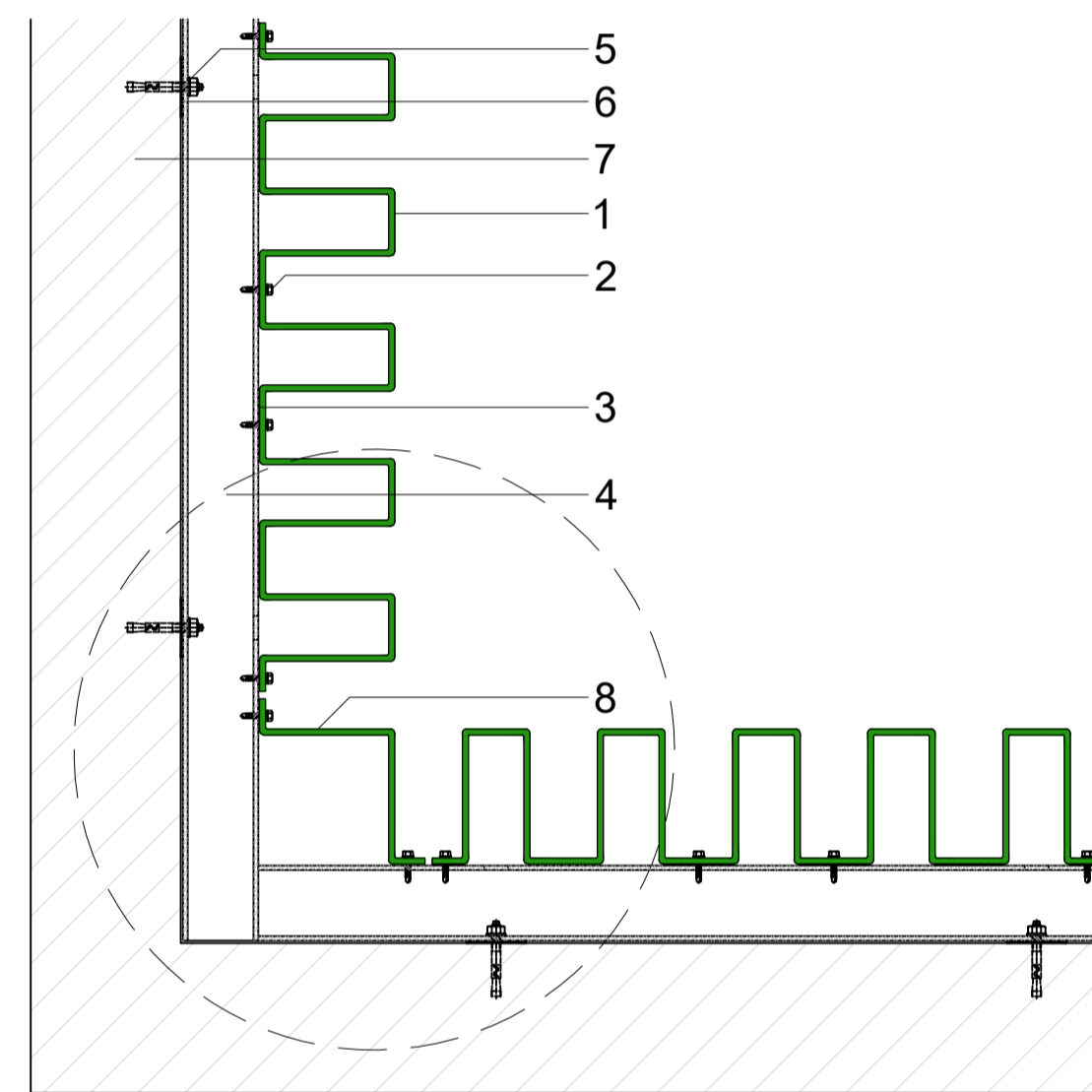
DWG NAME:
SOLIDAL® PMP R2
External Corner 90° Details

SCALE:
1:1 & 1:2 @ A1
DATE:
21 / JUN / 2023

PMP
SOLIDAL®

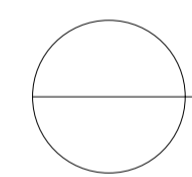
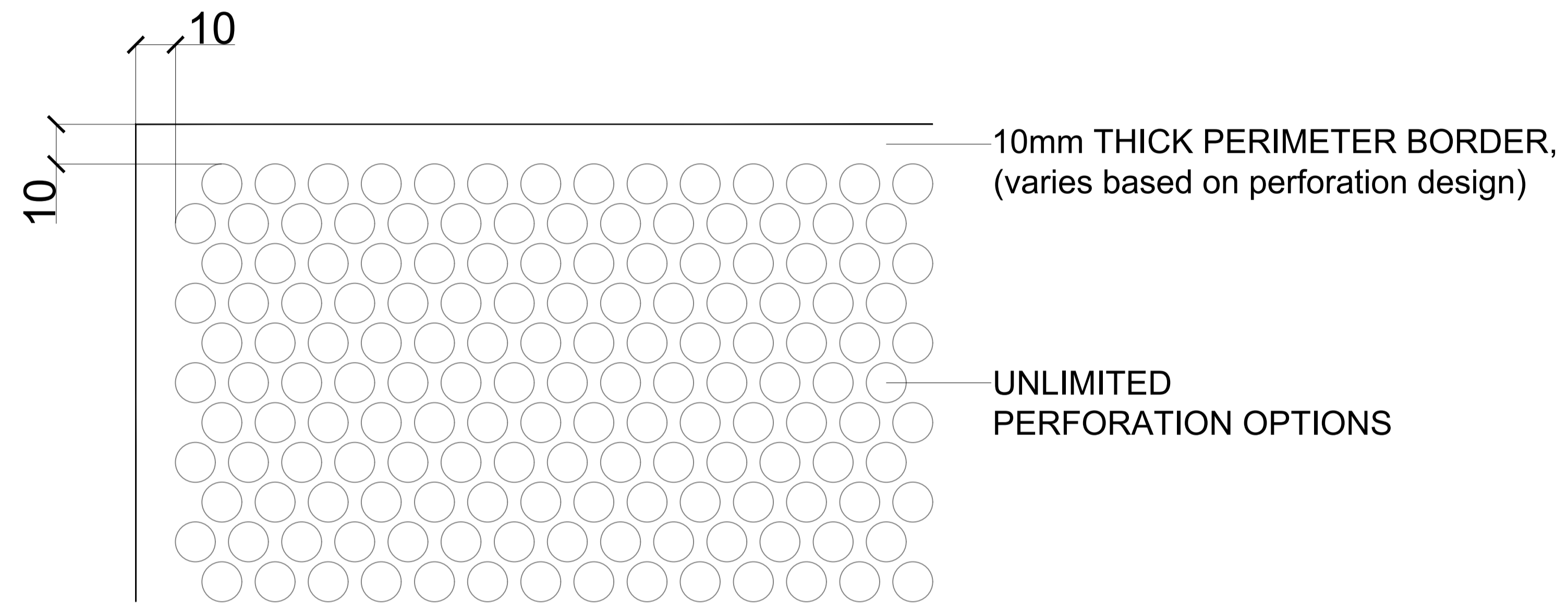
SOLIDAL® PMP R2
 Perforated Metal Pressed
 External Corner 120° Detail

- 1 SOLIDAL® PMP T2® | T3® | T4®
- 2 S/S Metal Tek screw w/ EPDM Gasket
- 3 Isolation Barrier
- 4 Powder Coated RHS Support Frame
- 5 Anchor Bolt
- 6 Packing as required
- 7 Building Structure
- 8 SOLIDAL® PMP IC (Internal Corner) Module



○ PMP R2 Internal Corner
 1:1

○ PMP R2 Internal Corner Detail
 1:2



1:5

MODULE PERFORATION
BORDER DETAILS

NOTE:

All design related drawings and concepts are property of SOLIDAL®.
Protected under Copyright Law.

PAGE:

4

DWG NAME:

Module Perforation Details

SCALE:

1:5 @ A1

DATE:

21 / JUN / 2023

PMP

SOLIDAL®

SOLIDAL[®]

HEAD OFFICE

10/450 Elizabeth Street,
Surry Hills, Sydney,
NSW, Australia 2010

1300 252 325
info@solidal.com

solidal.com

DISCLAIMER:

All design related drawings and concepts are property of SOLIDAL[®].
Protected under Copyright Law.

SOLIDAL[®] PMP[®] is designed as a rainscreen cladding system.

Separation barrier to be used between dissimilar metals.

For SOLIDAL[®] Custom PMP[®] Modules, please discuss with SOLIDAL[®] representative.