



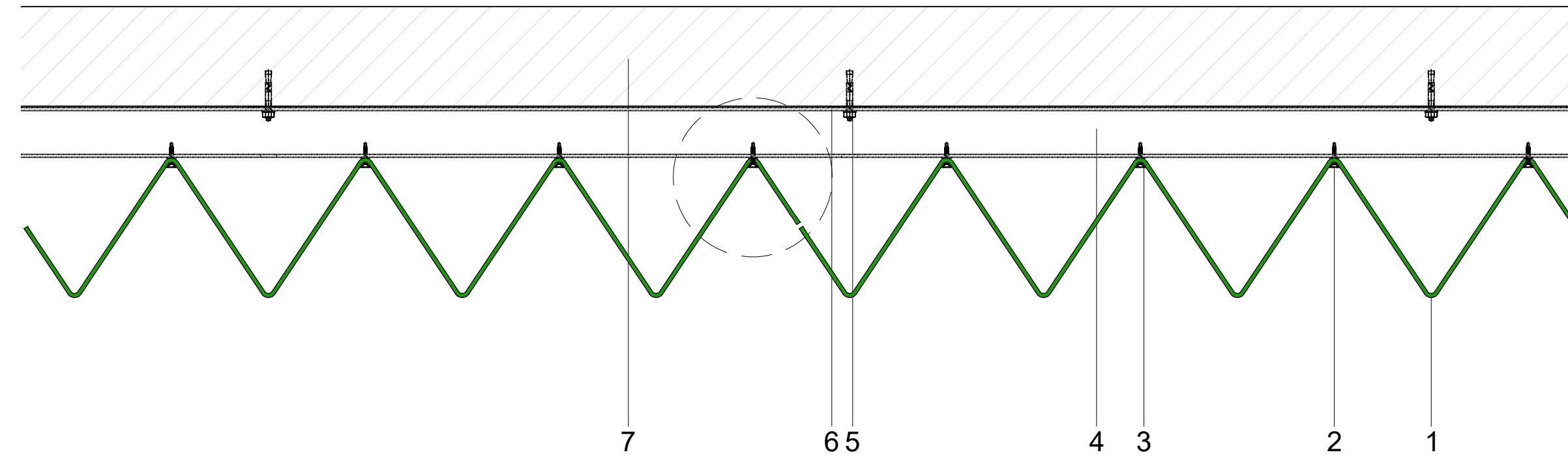
**SOLIDAL® PMP**  
Perforated Metal Pressed Screens  
**V1 Details**

**INDEX:**

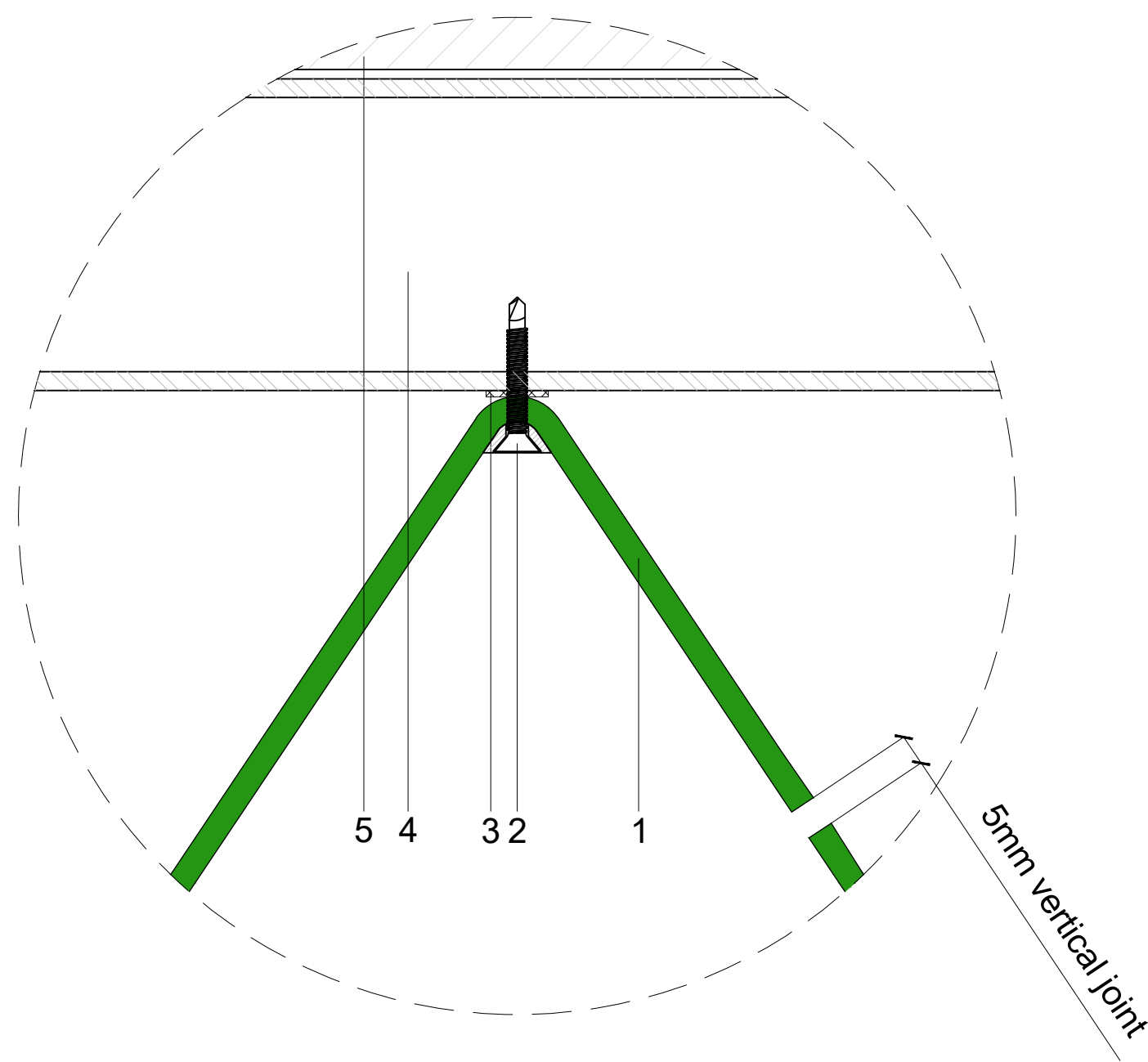
---

<b>V1</b>	
V1 Vertical Joint Detail	1
V1 External Corner Detail	2
V1 Internal Corner Detail	3
Module Perforation Detail	4

---



○ PMP V1 Vertical Joint  
1 : 1



○ PMP V1 Vertical Joint Detail  
1 : 5

SOLIDAL® PMP V1  
Perforated Metal Pressed  
Vertical Joint - Typical Detail

- 1 SOLIDAL® PMP T2® | T3® | T4®
- 2 S/S Metal Tek screw w/ EPDM Gasket
- 3 Isolation Barrier
- 4 Powder Coated RHS Support Frame
- 5 Anchor Bolt
- 6 Packing as required
- 7 Building Structure

**NOTE:**  
All design related drawings and concepts are property of SOLIDAL®.  
Protected under Copyright Law.

**PAGE:**  
**1**

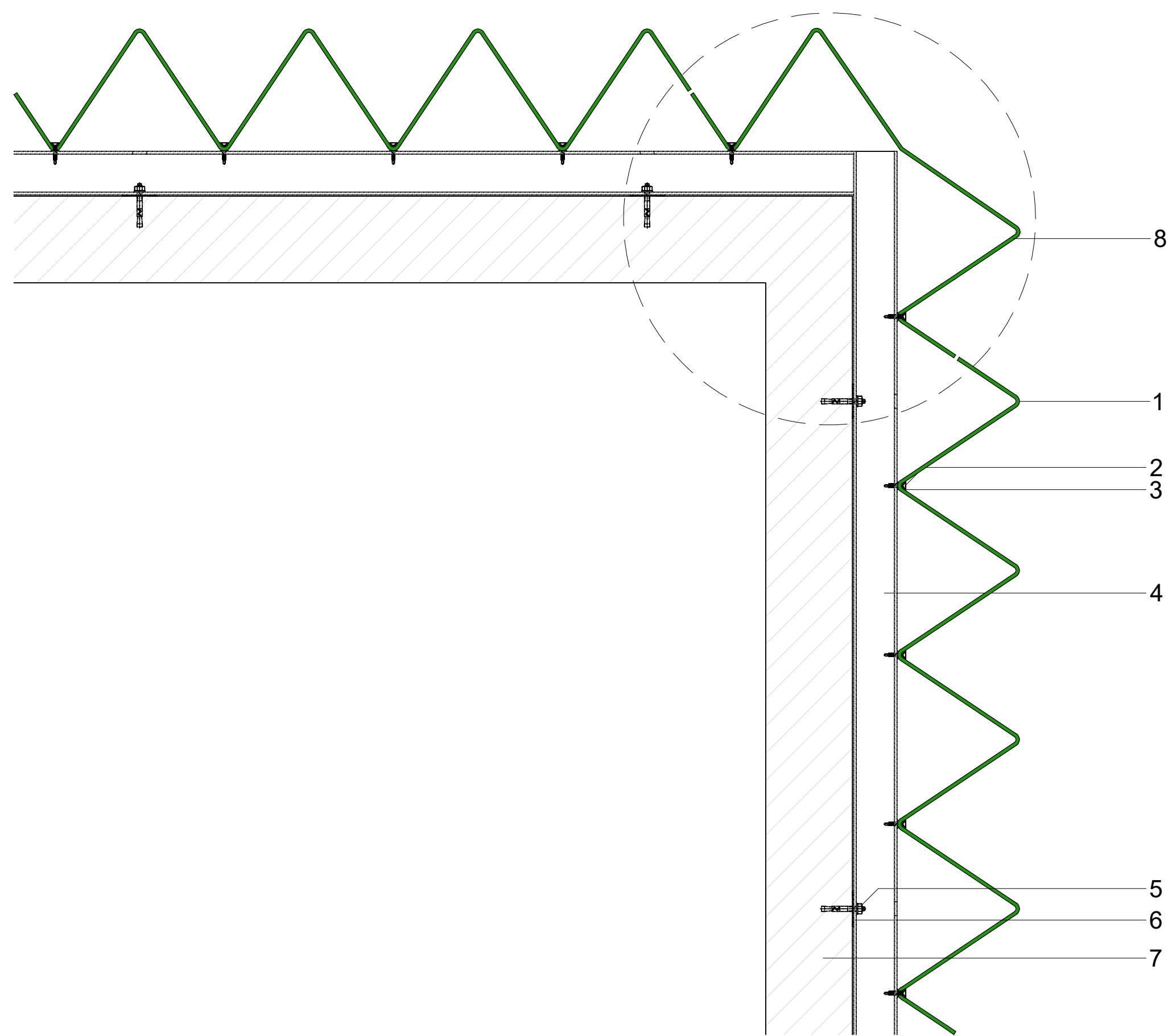
**DWG NAME:**  
SOLIDAL® PMP V1  
Vertical Joint Detail

**SCALE:**  
1:1 & 1:5 @ A1  
**DATE:**  
21 / JUN / 2023

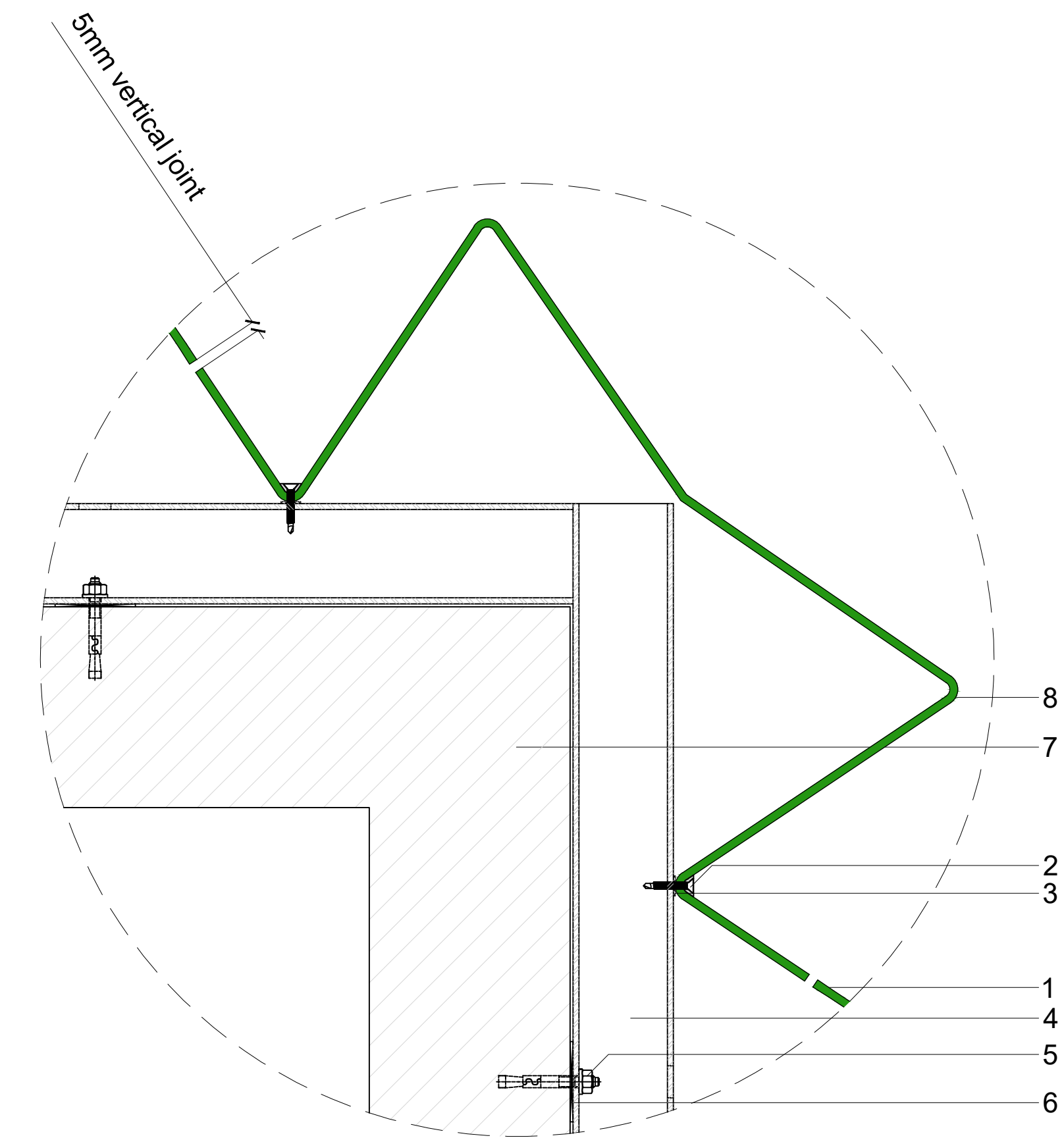
**PMP**  
**SOLIDAL®**

**SOLIDAL® PMP V1**  
 Perforated Metal Pressed  
 External Corner 90° Detail

- 1 SOLIDAL® PMP T2® | T3® | T4®
- 2 S/S Metal Tek screw w/ EPDM Gasket
- 3 Isolation Barrier
- 4 Powder Coated RHS Support Frame
- 5 Anchor Bolt
- 6 Packing as required
- 7 Building Structure
- 8 SOLIDAL® PMP EC (External Corner) Module



○ PMP V1 External Corner 90°  
 1 : 1



○ PMP V1 External Corner 90° Optional Detail  
 1 : 2

**NOTE:**  
 All design related drawings and concepts are property of SOLIDAL®.  
 Protected under Copyright Law.

**PAGE:**  
 2

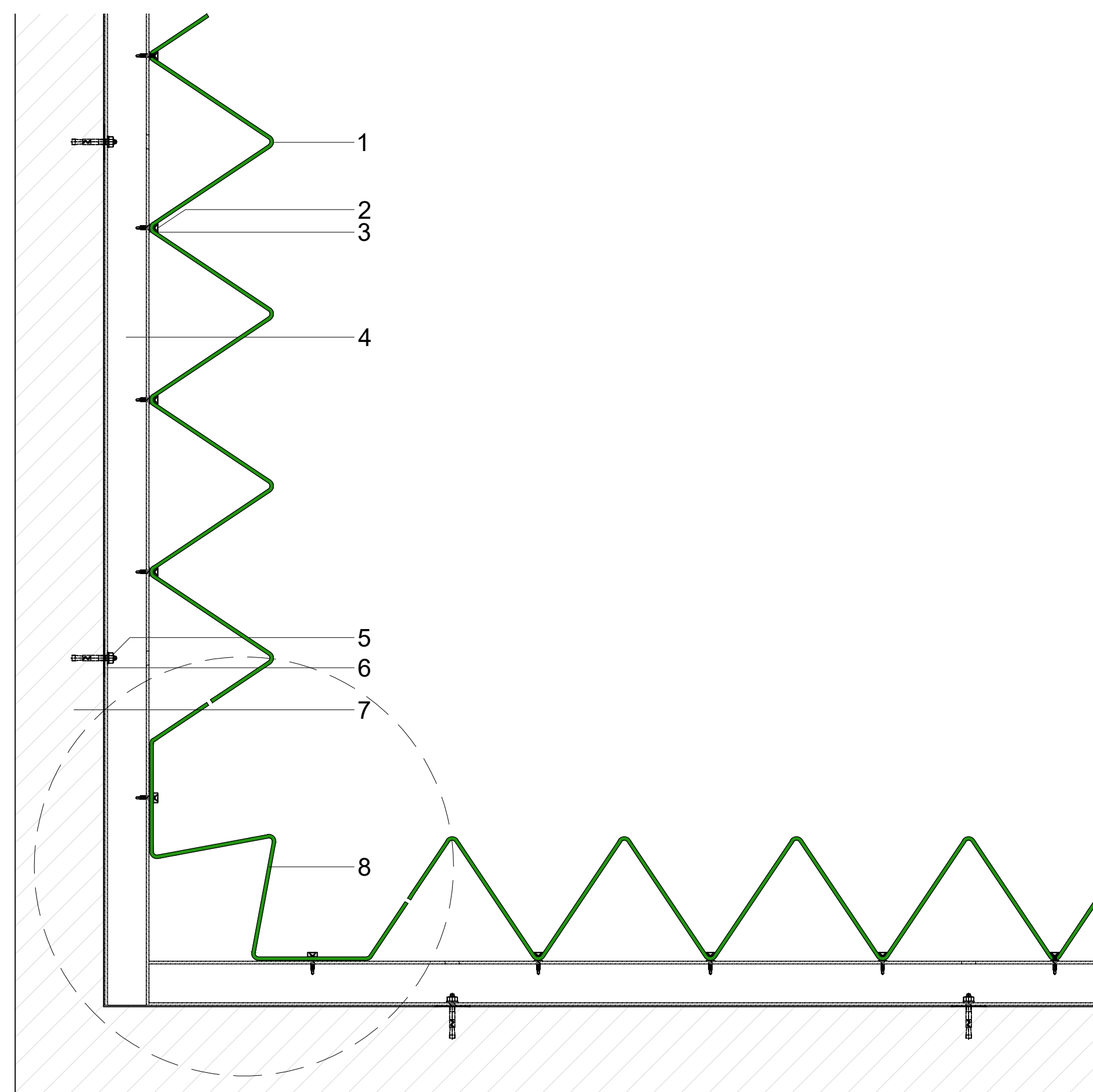
**DWG NAME:**  
 SOLIDAL® PMP V1  
 External Corner 90° Details

**SCALE:**  
 1:1 & 1:2 @ A1  
**DATE:**  
 21 / JUN / 2023

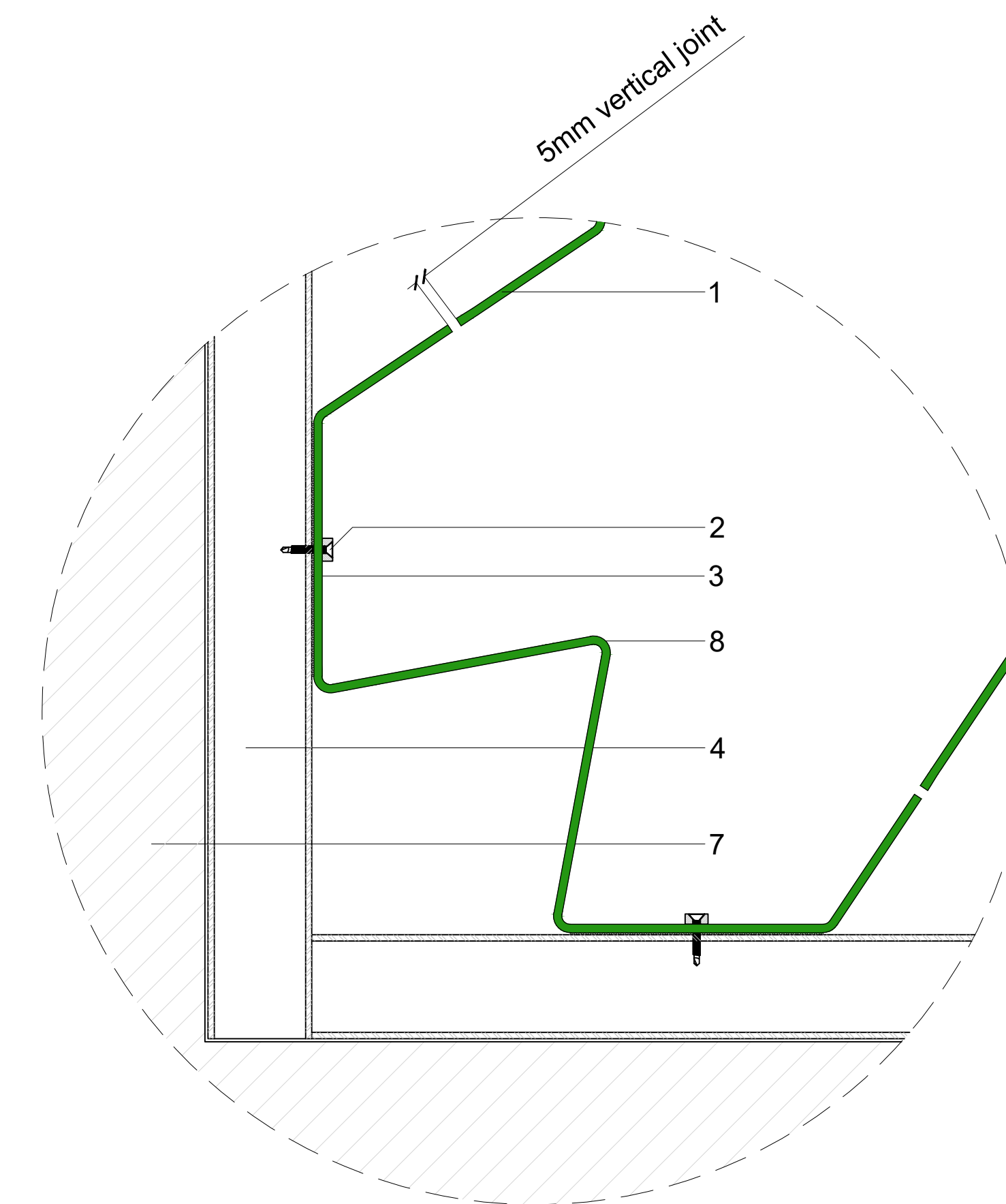
**PMP**  
**SOLIDAL®**

**SOLIDAL® PMP V1**  
Perforated Metal Pressed  
Internal Corner 90° Detail

- 1 SOLIDAL® PMP T2®|T3®|T4®
- 2 S/S Metal Tek screw w/ EPDM Gasket
- 3 Isolation Barrier
- 4 Powder Coated RHS Support Frame
- 5 Anchor Bolt
- 6 Packing as required
- 7 Building Structure
- 8 SOLIDAL® PMP (Internal Corner) Module



○ PMP V1 Internal Corner 90°  
1 : 1



○ PMP V1 Internal Corner 90° Optional Detail  
1 : 2

**NOTE:**

All design related drawings and concepts are property of SOLIDAL®.  
Protected under Copyright Law.

**PAGE:**

**3**

**DWG NAME:**

SOLIDAL® PMP V1  
Internal Corner Details

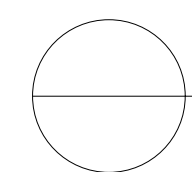
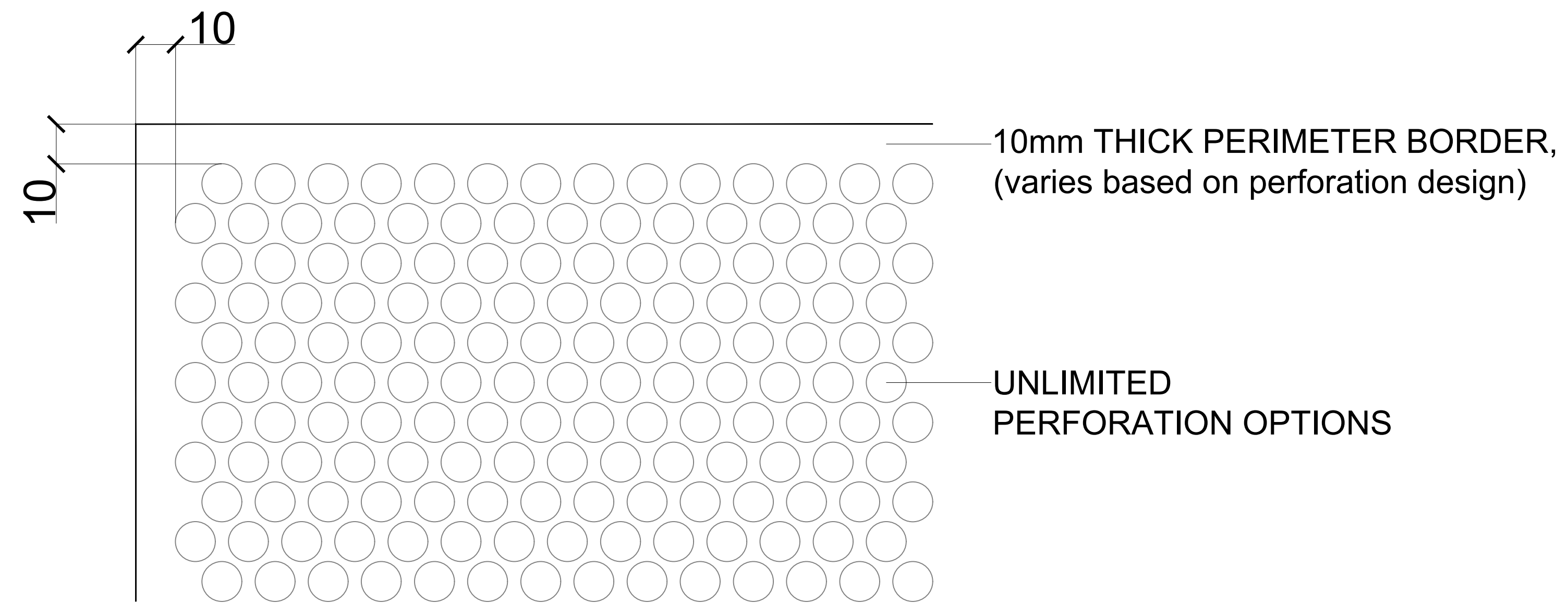
**SCALE:**

1:1 & 1:2 @ A1

**DATE:**

21 / JUN / 2023

**PMP**  
**SOLIDAL®**



1:5

MODULE PERFORATION  
BORDER DETAILS

NOTE:

All design related drawings and concepts are property of SOLIDAL®.  
Protected under Copyright Law.

PAGE:

4

DWG NAME:

Module Perforation Details

SCALE:

1:5 @ A1

DATE:

21 / JUN / 2023

PMP

SOLIDAL®

# SOLIDAL<sup>®</sup>

## HEAD OFFICE

10/450 Elizabeth Street,  
Surry Hills, Sydney,  
NSW, Australia 2010

1300 252 325  
info@solidal.com

solidal.com

### **DISCLAIMER:**

All design related drawings and concepts are property of SOLIDAL<sup>®</sup>.  
Protected under Copyright Law.

SOLIDAL<sup>®</sup> PMP<sup>®</sup> is designed as a rainscreen cladding system.

Separation barrier to be used between dissimilar metals.

For SOLIDAL<sup>®</sup> Custom PMP<sup>®</sup> Modules, please discuss with SOLIDAL<sup>®</sup> representative.