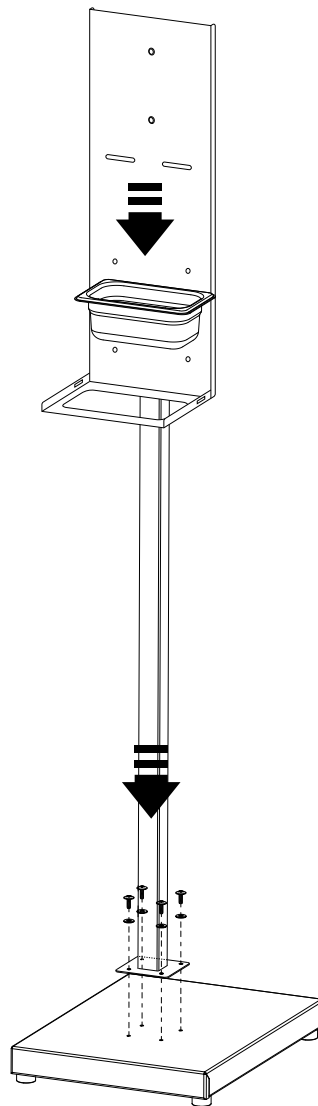


Installation Manual

Hand Sanitiser Stand



Model:
SPPL.HSS.01

Contact Stoddart on 1300 79 1954 to enquire about our Australian manufactured Hand Sanitiser Dispenser or email info@stoddart.com.au

**HAND SANITISER
DISPENSER***
STANDARD SECURITY
/ HSD.STS.001

Refillable Stainless Steel Container
151mm W x 100mm D x 271mm H

- Made from 0.9mm 304 grade stainless steel
- Lockable cabinet with additional locking shroud to prevent out of hours use
- Theft / Vandal / Tamper resistant
- Wall Mounted or Stand Mounted
- 1 litre holding capacity
- Capable of being refilled from any container (large or small)
- Easy to Clean hygienic stainless steel surfaces
- Sanitiser not included



**HAND SANITISER
DISPENSER***
HIGH SECURITY
/ HSD.HS.001

Refillable Stainless Steel Container
191mm W x 161mm D x 253mm H

- Made from heavy duty 1.2mm 304 grade stainless steel with 2mm stainless steel support bracket
- Lockable dispenser, drip tray and separate removable locking shroud (Padlock included)
- Theft / Vandal / Tamper resistant
- Ideal for high security applications eg. Service stations, Military bases
- Wall Mounted (Stand Mounted option available upon request)
- 1 litre holding capacity
- Capable of being refilled from any container (large or small)
- Easy to Clean hygienic stainless steel surfaces
- Sanitiser not included



*Limited Stock

Hand Sanitiser Dispenser Stand

SPPL.HSS.01

In the box

- 1 x Stand Body
- 1 x Stand Base
- 1 x 1/9 GN Pan
- 6 x M5 16mm Mushroom Phillips Head Screws
- 2 x M5 Flat Washers
- 2 x M5 Nylock Nuts

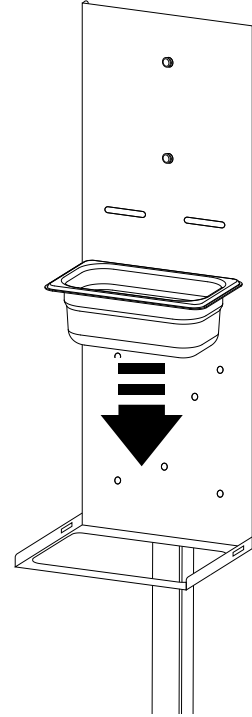
Tools Required

- Phillips Head Screwdriver #2
- Socket Set and/or Shifting Spanner

1.

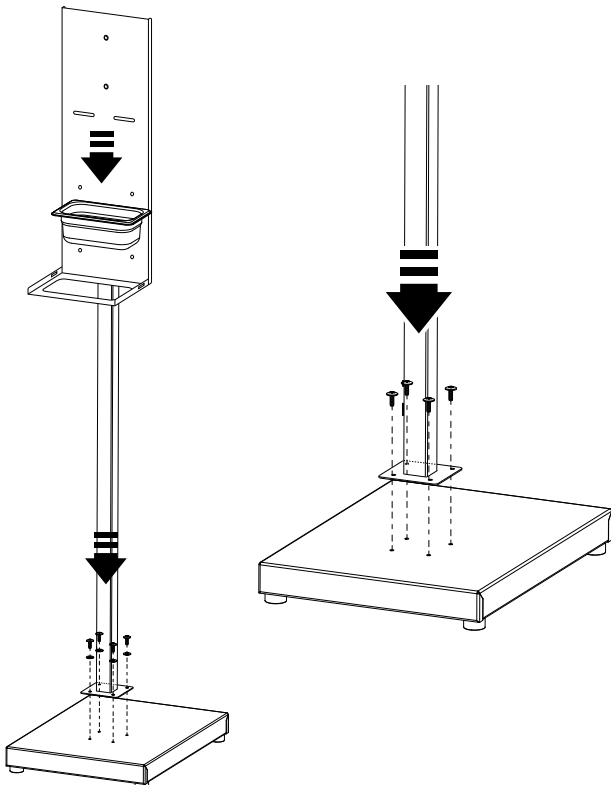
Assembly

- Insert 1/9 GN pan into the stand body



2.

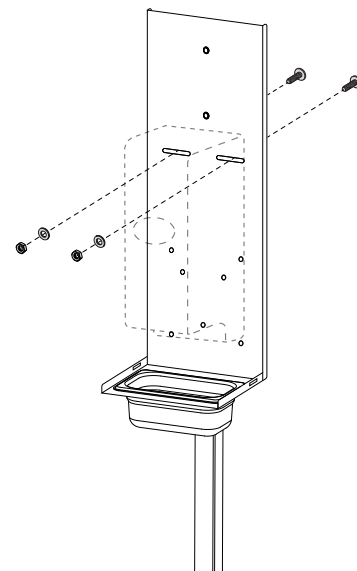
- Using a Phillips head screwdriver, secure the stand body to the stand base with 4 M5 mushroom head screws



3.

For other company supplied dispensers

- Using a Phillips head screwdriver and shifting spanner, secure the dispenser to the stand (use the hole locations that best suited to the dispenser) with the supplied M5 mushroom head screws, M5 washers and M5 nylock nuts
- For dispenser units supplied with double sided tape, install the dispenser as per the instructions supplied by the dispenser manufacturer



Australia

Service / Spare Parts

Tel: 1300 307 289

Email: service@stoddart.com.au

Email: spares@stoddart.com.au

Sales

Tel: 1300 79 1954

Email: sales@stoddart.com.au

www.stoddart.com.au

Australian Business Number: 16009690251

New Zealand

Service / Spare Parts

Tel: 0800 935 714

Email: service@stoddart.co.nz

Email: spares@stoddart.co.nz

Sales

Tel: 0800 79 1954

Email: sales@stoddart.co.nz

www.stoddart.co.nz

New Zealand Business Number: 6837694

International

Service / Spare Parts

Tel: +617 3440 7600

Email: service@stoddart.com.au

Email: spares@stoddart.com.au

Sales

Tel: +617 3440 7600

Email: sales@stoddart.com.au

www.stoddart.com.au