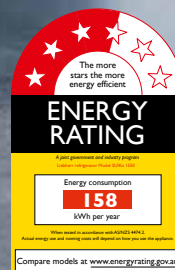


The Smooth Operator

Quality, Design and Innovation



SUIKo 1550



LIEBHERR



Door-on-door technology: Allows custom panels to be affixed directly onto the appliance door so that the hinges are concealed, plus the cabinet and the fridge door open as one, ensuring a wide range of design options and easy installation.



SoftTelescopic: A highly practical self-retracting, self-closing feature. Our SoftTelescopic technology guarantees elimination of slamming even when the shelf is fully loaded.



MagicEye control system: Our LED control panel ensures all functions are easy and convenient to use as well as guaranteeing that the settings selected remain accurate and constant.

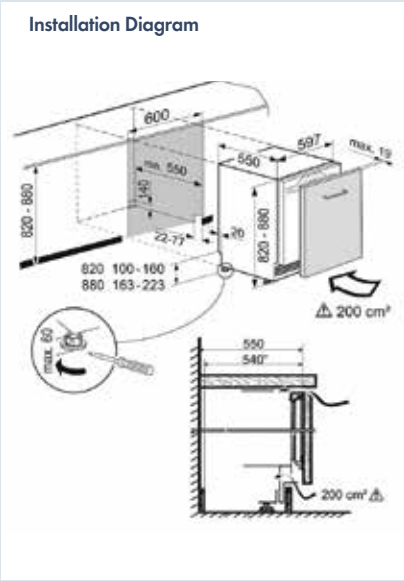
The precision control system of the **SUIKo 1550** creates a stunning visual impact and enhances the ease and convenience of use. The SuperCool function quickly reduces the temperature of the fridge compartment; ideal for rapidly cooling down freshly stored food. The innovative LED light and the special satin finish of the light cover produces a pleasant lighting atmosphere.

The pull-out fridge compartment is mounted on soft telescopic rails. It has a practical bottle shelf and a removable fruit and vegetable drawer. The large drawer can also be divided into two equal-sized compartments, with more storage space underneath.

Additionally you can opt for our high-quality, easy-to-fit stainless steel panel and handle¹ which enable the model's seamless integration into any kitchen!

SUIKo 1550 Premium **Soft Telescopic**

Energy consumption (kWh/yr) Star rating	158 3.5
Compressors	1
Total Usable Litres	124
Refrigerator Usable Litres	124
MagicEye control system Display	• Digital
Child proof setting for display & temperature	•
Standard lighting	•
Door open warning signal	•
Optional extra stainless steel panel & handle	•
Fruit & vegetable drawer on telescopic rails	1
SuperCool	•
GlassLine shelves	•
Egg tray	•
Automatic refrigerator defrosting	•
Door hinges	Pull-out trolley
Voltage (V) Rated Current (A)	220-240 / 1.2
Made in	Germany



Note: Whilst every effort is made to ensure all specifications and information in this flyer are accurate, Liebherr reserves the right to make changes without notification. Where actual appliance measurements, specifications, and ratings are crucial, we recommend that the actual appliance installation instructions that accompany each appliance be checked. Liebherr will not be liable for any loss.