

Quality Wines Deserve Quality Storage

Quality, Design and Innovation



Wkt 6451



LIEBHERR



Electronic LCD Display: Intuitive navigation of touch electronic control system enables tailored storage options.



Wooden shelves: Liebherr's natural untreated beechwood shelves are ideal for storing Bordeaux bottles. Store bottles in opposite directions to make full use of the capacity.



Activated charcoal filter: Liebherr wine cabinets have a permanent supply of odourless, fresh air via an easily exchangeable activated charcoal filter.

The **WKt 6451** wine storage offers similar conditions to a wine cellar. Temperature can be set to exactly what you require, within the range of +5°C to +20°C, and is maintained constantly and uniformly throughout the interior.

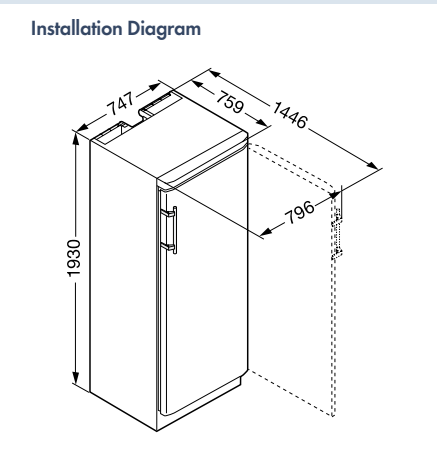
Liebherr wine cabinets are perfect for storing wines for long periods of time to allow them to mature to perfection. Depending on what temperature the appliances are set to, they can also be used for keeping white wine or red wine at exactly the right temperature for serving.

WKt 6451
GrandCru

LED

Wine

°Energy consumption (kWh/yr) 24hr	°143 0.391
Bottle capacity (750ml Bordeaux)	312
Control system Display	Buttons Digital
Digital temperature display	External
Tinted glazed door	Solid door
Temperature zones	1
Temperature range (°C) Min Max °C	5 20
Suitable for ambient temperature Min Max°C	16 43
Interior light	Bulb
Hand crafted beech wood shelves	6
Base shelves	1
Recirculated air cooling Fresh air supply via activated charcoal filter	• 1
Child proof lock (control panel)	•
Handle design	Aluminium
Integrated door opening device	•
Key lock Label holders	• •
Temp alarm Door open warning signal Malfunction warning signal	• • •
Ventilation switch Automatic defrosting	• •
Door hinge	Right, reversible
Gross weight (kg) Net weight (kg)	99 86
Voltage (V) Rated Current (A)	220-240 1.0
Made In	Austria



° = Measurements taken at +25°C ambient and +12°C interior temperature tested by Liebherr Germany (not to Australian standards).

Note: Whilst every effort is made to ensure all specifications and information in this flyer are accurate, Liebherr reserves the right to make changes without notification. Where actual appliance measurements, specifications, and ratings are crucial, we recommend that the actual appliance installation instructions that accompany each appliance be checked. Liebherr will not be liable for any loss.