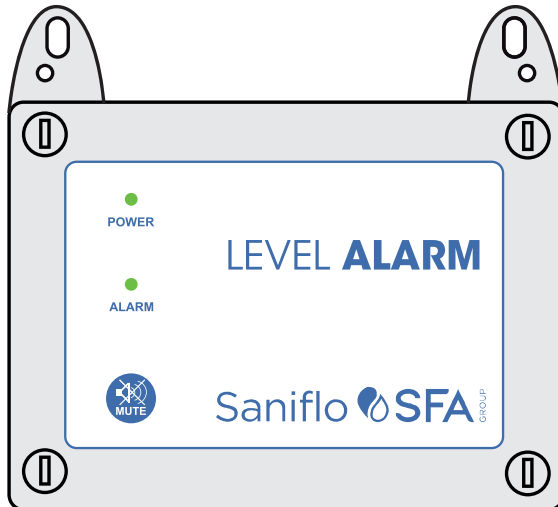


SANI ALARM INTERLOCK OWNER'S OPERATION MANUAL

AUSTRALIA/NEW ZEALAND

SANIFLO (Australia)
Unit 10, 25 Gibbes Street
Chatswood, NSW 2067
Tel: 1300 554 779 (AU)
Tel: 0800 107 264 (NZ)

MODEL: SANI12661



WELCOME TO UNDERSINK/SULLAGE CHAMBER ALARM

Your Under-sink/Sullage Chamber Alarm reflects the superior quality and attention to detail in design, engineering and manufacturing that has distinguished SANIFLO Products for decades. The controller incorporates the very latest in micro-processor technology, ensuring you, the owner/operator, of many years of functional, reliable and 'user friendly' operation.

Please read this manual prior to installation and operation of the controller.

CONTENTS

SAFETY	2
FUNCTIONAL OVER VIEW	3
OPERATIONS	3
SCHEMATIC	3
CONNECTION DETAILS	4
MAGNETIC FLOAT SWITCH FITTING GUIDE	5
WIRING DIAGRAM	10

WARNING: All electrical connections must be carried out by a suitably qualified and registered electrician

SAFETY

- Prior to Installation, ensure power supply is isolated.
- Power supply must be RCD Protected. (Qualified Electrician to determine appropriate amp rating.)
- Electrical connection to the panel must be carried out in accordance with 'Connection Instructions', see page 4.
- Addition or modifications to the control panel are not permitted and will void warranty.
- The controller is not intended for use by children or infirm persons without supervision.
- Repairs to the Controller must only be carried out by a suitably qualified Electrician

UNDERSINK / SULLAGE CHAMBER ALARM

SANIALARM INTERLOCK - WITH VALVE & DISHWASHER INTERLOCK

FUNCTIONAL OVERVIEW

In addition to both audible and visual alarms being activated when a high level occurs, the controller is designed to provide dishwasher and mains water interlock. This ensures that no further 'inflow' to the chamber from the Dishwasher occurs, until the level has subsided.

OPERATION

In the event of 'high level', the high level light will commence flashing, the audible buzzer will commence sounding, the valve, located on the mains water line, will close and the power outlet, into which the dishwasher is plugged, will automatically switch off.

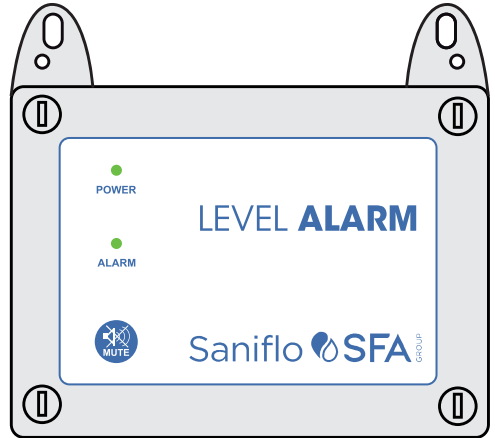
NOTE: DO NOT PLUG PUMP INTO THIS POWER OUTLET

The high level indicator light will remain flashing until the level in the chamber subsides.

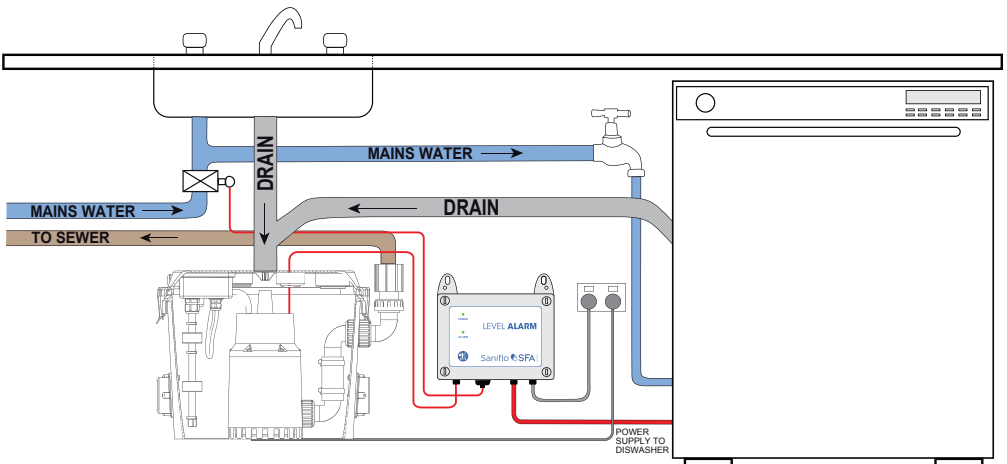
The audible buzzer can be muted by way of the mute button located on the front of the panel.

The valve will remain closed and the power to the dishwasher will remain off until the water level in the chamber subsides.

Another feature of the unit is, if the power supply to the controller is switched off, the valve immediately closes.



SCHEMATIC



UNDERSINK / SULLAGE CHAMBER ALARM

SANIALARM INTERLOCK - WITH VALVE & DISHWASHER INTERLOCK

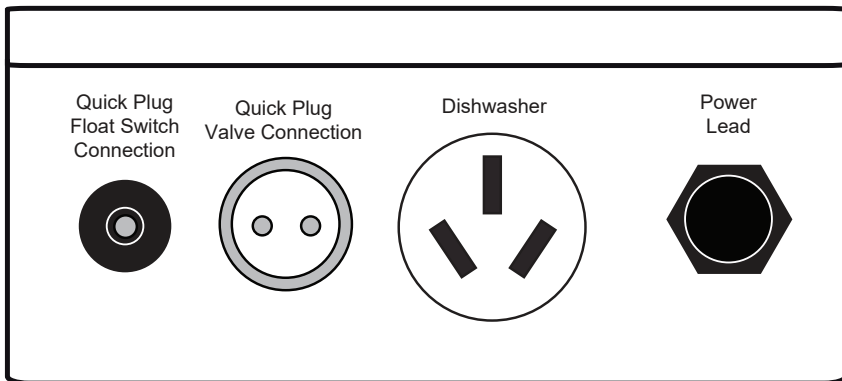
CONNECTION DETAILS

1. Ensure power to the unit is disconnected before carrying out installation.
2. Mount Panel in a dry area and in a vertical position so that cable connections are on the underside of the panel.
3. Ensure valve is installed in accordance with local Plumbing Codes.
4. Install Float Switch in tank as indicated in supplied fitting guide.
5. Plug dishwasher into power outlet provided. (See Figure 1)

NOTE: DO NOT PLUG PUMP INTO THIS POWER OUTLET

6. Plug the unit's power lead into RCD protected GPO, and switch power on.
7. Your unit is now ready for use.

Figure 1

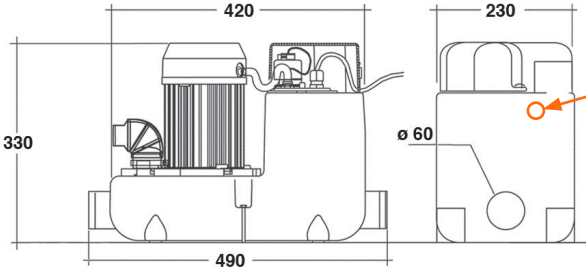


SANIALARM INTERLOCK MAGNETIC FLOAT SWITCH

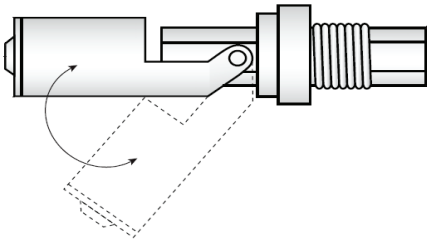
FITTING GUIDE

USE MAGNETIC FLOAT SWITCH SUPPLIED WITH SANIALARM INTERLOCK ONLY

SANICOM 1

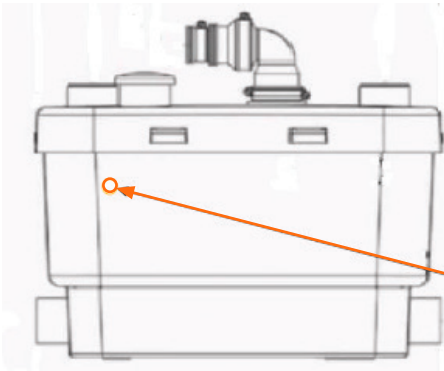


Drill a 22mm hole and insert the probe here, make sure the hole is 60mm down from the top of the grey cabinet and 60mm from the side.



Please ensure that the magnetic float switch is positioned as shown above, with the arm swinging down inside the pump case

SANIVITE / SANISPEED +



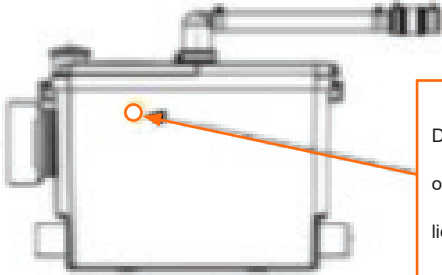
Drill 22mm hole 60mm in from the LH side of the case by 60mm down from the top of the lid to insert the magnetic finger float switch

SANIALARM INTERLOCK MAGNETIC FLOAT SWITCH

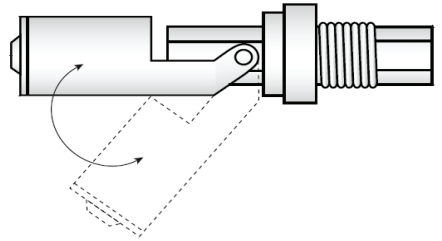
FITTING GUIDE

USE MAGNETIC FLOAT SWITCH SUPPLIED WITH SANIALARM INTERLOCK ONLY

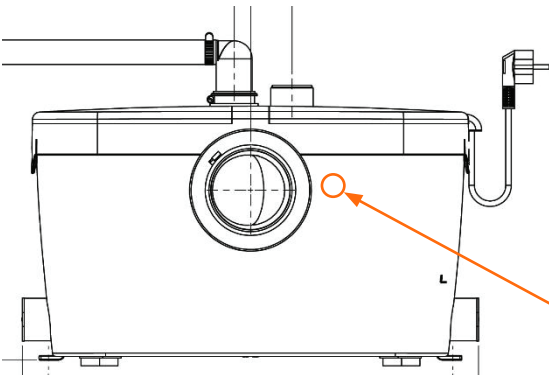
SANIPACK PRO UP



Drill a 22mm hole 185mm from the LH side of case by 65mm down from the top of the lid to insert the magnetic finger switch



SANIACCESS 3



Please ensure that the magnetic float switch is positioned as shown above, with the arm swinging down inside the pump case.

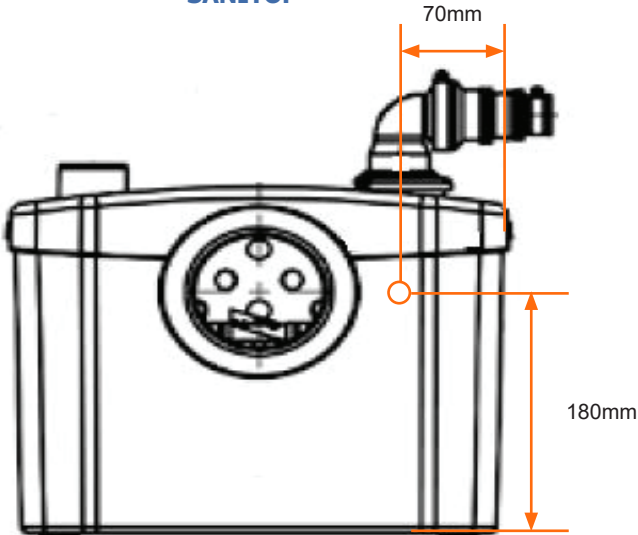
Drill a 22mm hole and insert the probe here, make sure the hole is 110mm down from the top and 140mm from the side.

SANIALARM INTERLOCK MAGNETIC FLOAT SWITCH

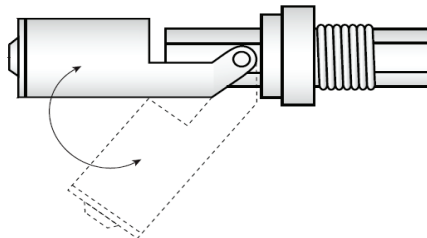
FITTING GUIDE

USE MAGNETIC FLOAT SWITCH SUPPLIED WITH SANIALARM INTERLOCK ONLY

SANITOP



Drill a 22mm hole and insert the probe here, make sure the hole is 180mm up from the bottom of the case and 70mm from the outside edge to centre



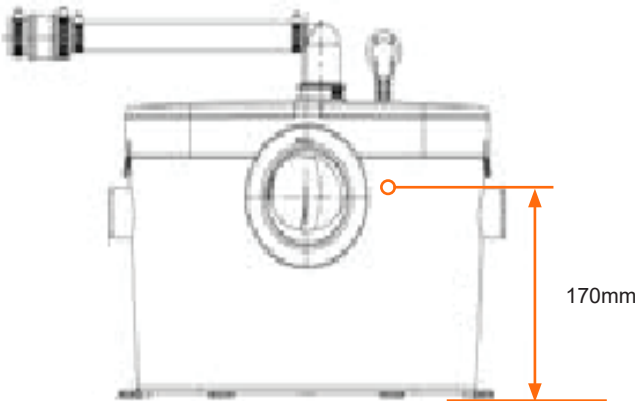
Please ensure that the magnetic float switch is positioned as shown above, with the arm swinging down inside the pump case.

SANIALARM INTERLOCK MAGNETIC FLOAT SWITCH

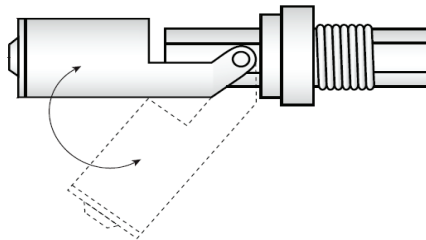
FITTING GUIDE

USE MAGNETIC FLOAT SWITCH SUPPLIED WITH SANIALARM INTERLOCK ONLY

SANIAACCESS 2



Drill a 22mm hole and insert the probe here, make sure the hole is 170mm up from the bottom and 120mm from the side.



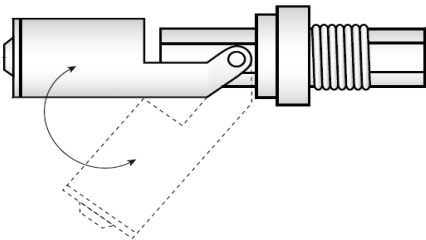
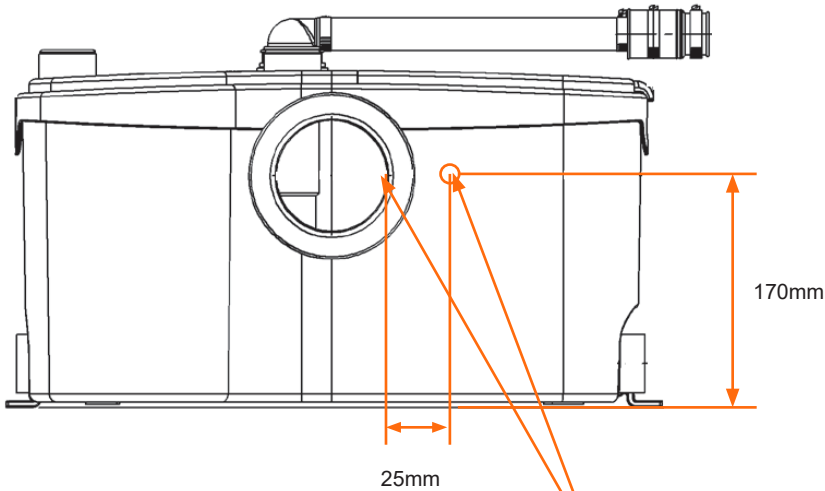
Please ensure that the magnetic float switch is positioned as shown above, with the arm swinging down inside the pump case.

SANIALARM INTERLOCK MAGNETIC FLOAT SWITCH

FITTING GUIDE

USE MAGNETIC FLOAT SWITCH SUPPLIED WITH SANIALARM INTERLOCK ONLY

SANIBEST PRO



Drill a 22mm hole and insert the probe here, make sure the hole is 170mm up from the bottom of the case and 25mm from the inside edge of the spigot connector opening.

Please ensure that the magnetic float switch is positioned as shown above, with the arm swinging down inside the pump case.

CIRCUIT DIAGRAM

