

CUBIC 2 VX

171

04.14

SFA



SANICUBIC[®] 2 VX

FR NOTICE D'INSTALLATION

UK INSTALLATION INSTRUCTIONS

DE INSTALLATIONSHINWEISE

IT STRUZIONI PER L'INSTALLAZIONE

ES MANUAL DE INSTALACIÓN

PT MANUAL DE INSTALAÇÃO

NL INSTALLATIE VOORSCHRIFTEN

SE INSTALLATIONSANVISNING

DK INSTALLATIONSVEJLEDNING

NO INSTALLASJONSANVISING

FI ASENNUSOHJEET

HU FELSZERELÉSI ÉS KEZELÉSI ÚTMUTATÓ

PL INSTRUKCJA INSTALACJI

RU ИНСТРУКЦИЯ ПО МОНТАЖУ И ЭКСПЛУАТАЦИИ

RO MANUAL DE INSTALARE

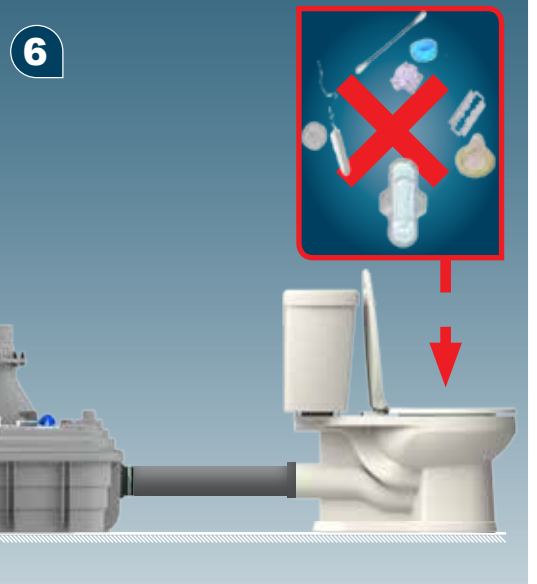
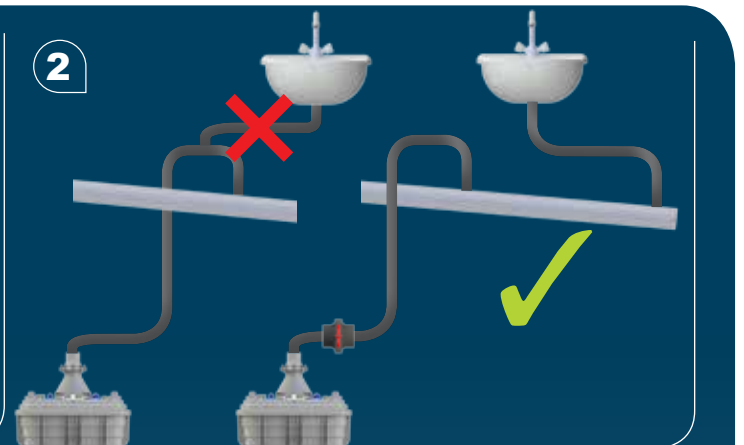
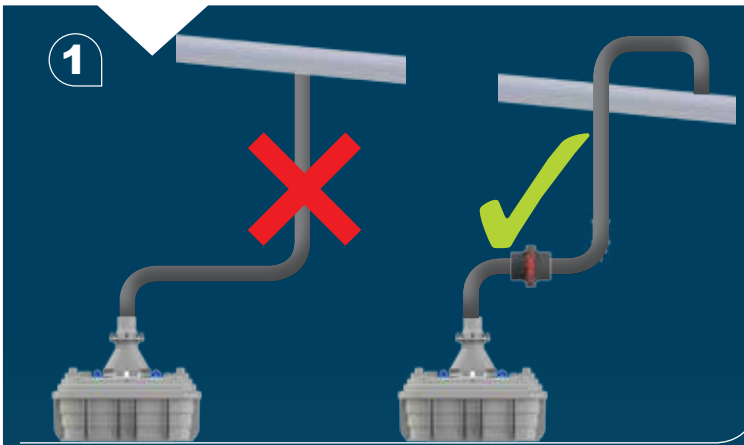
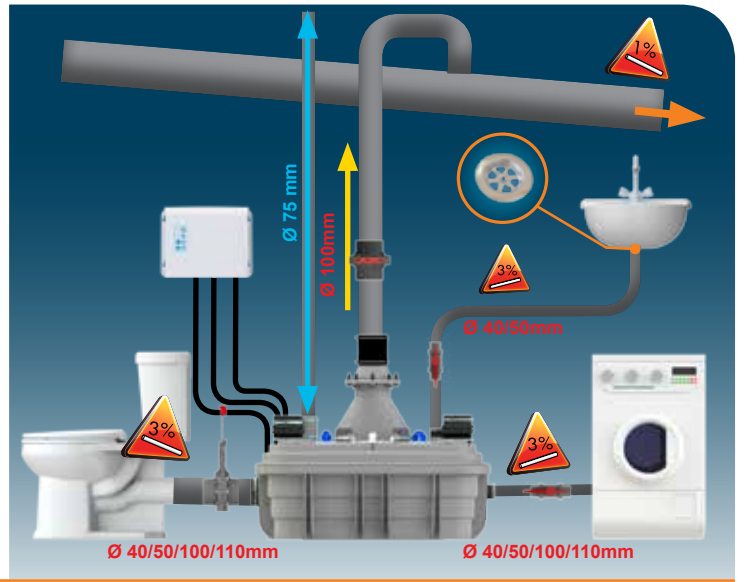
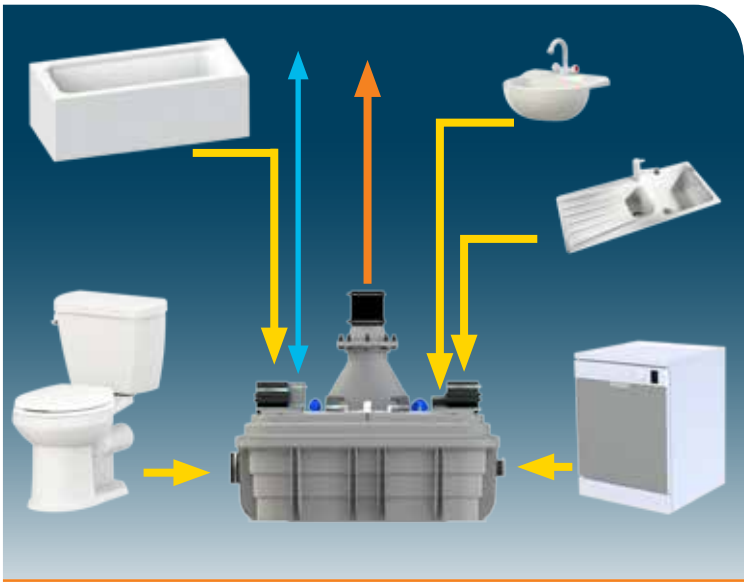
CZ NÁVOD K INSTALACI A POUŽÍVÁNÍ

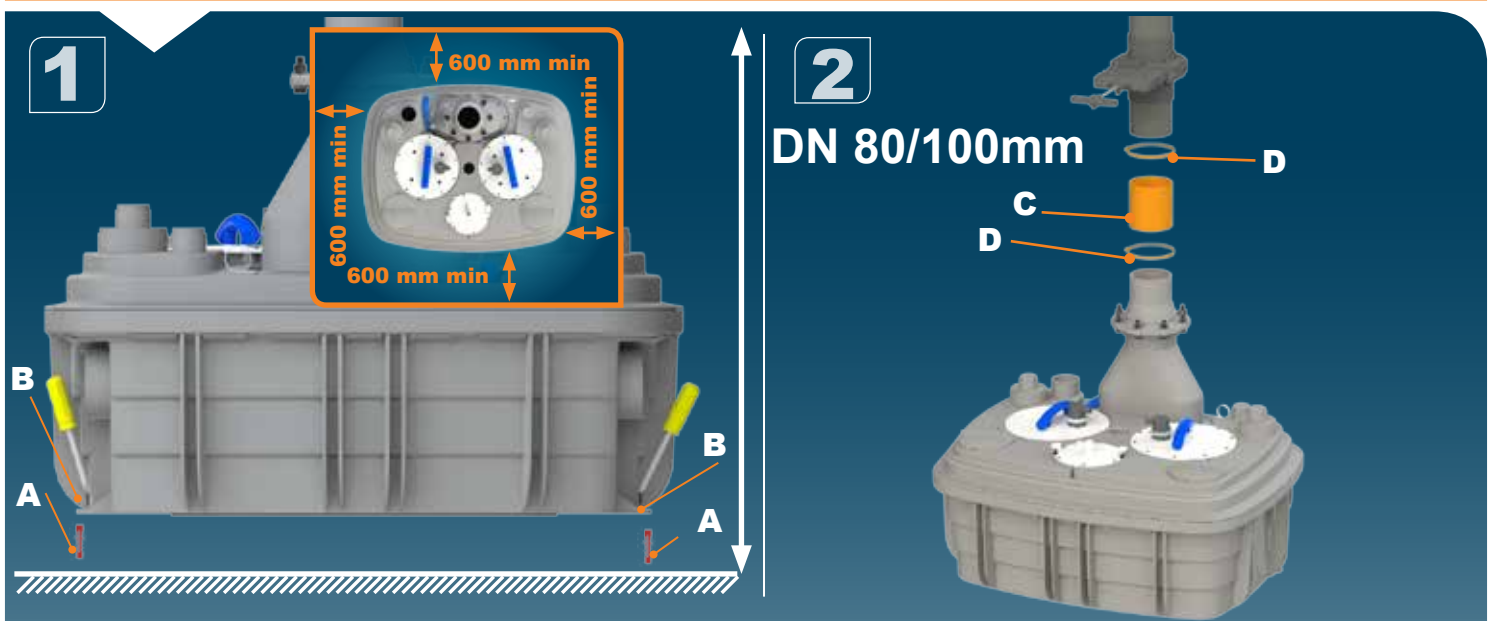
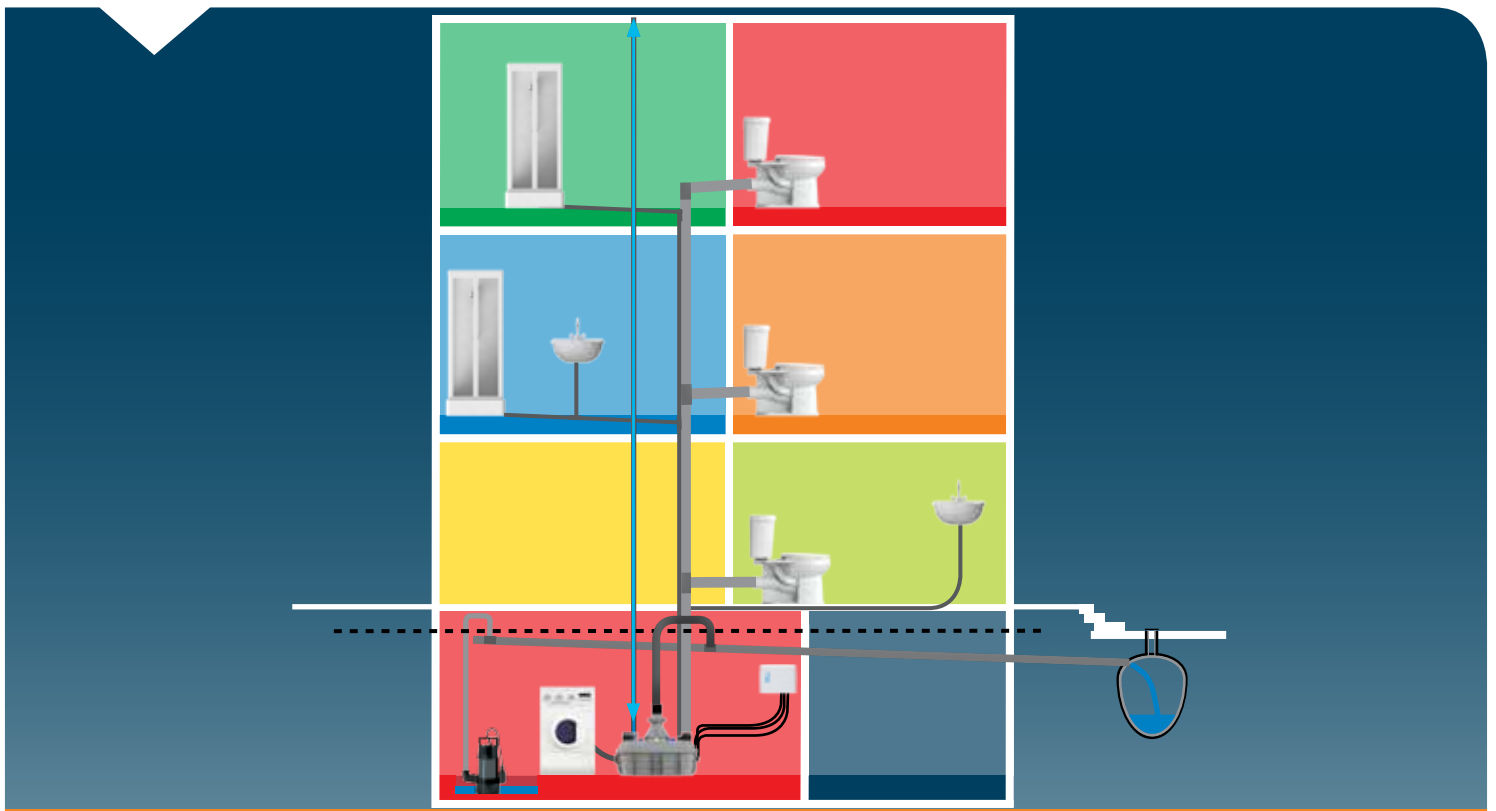
TR KURULUM KILAVUZU

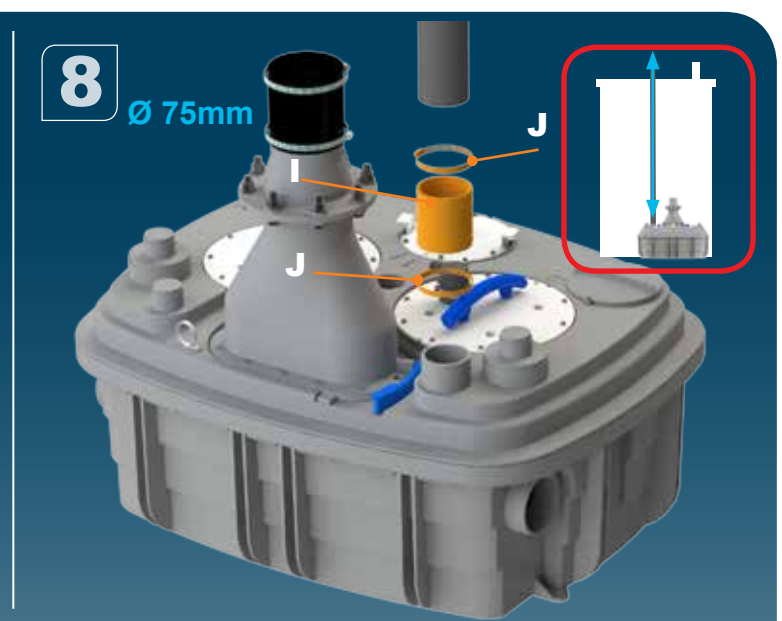
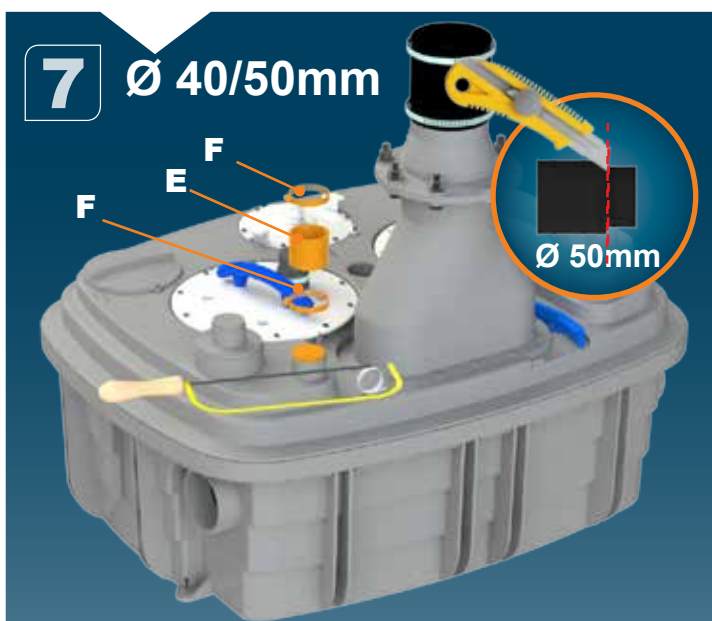
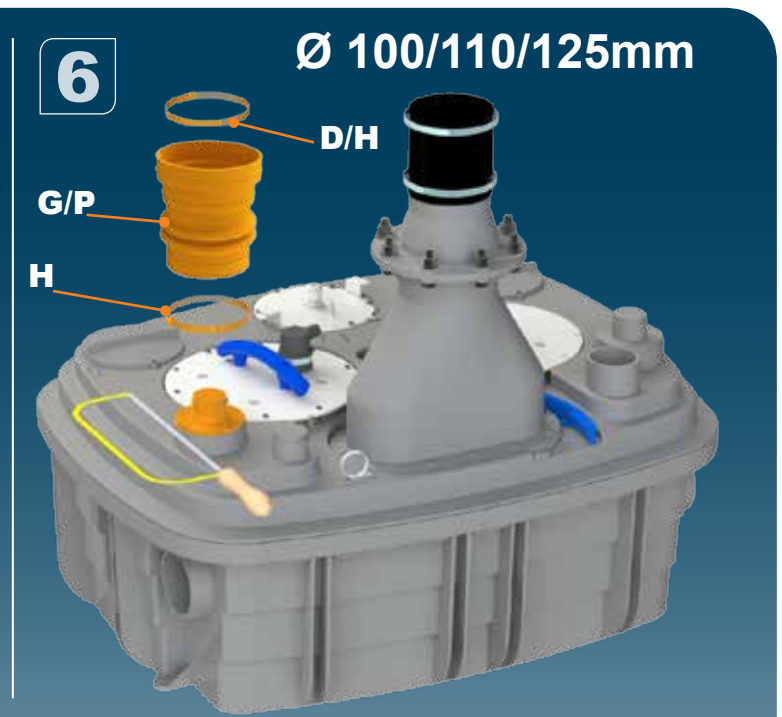
CN 用户应保留安装指南以备用

KR 설치내용서

CE



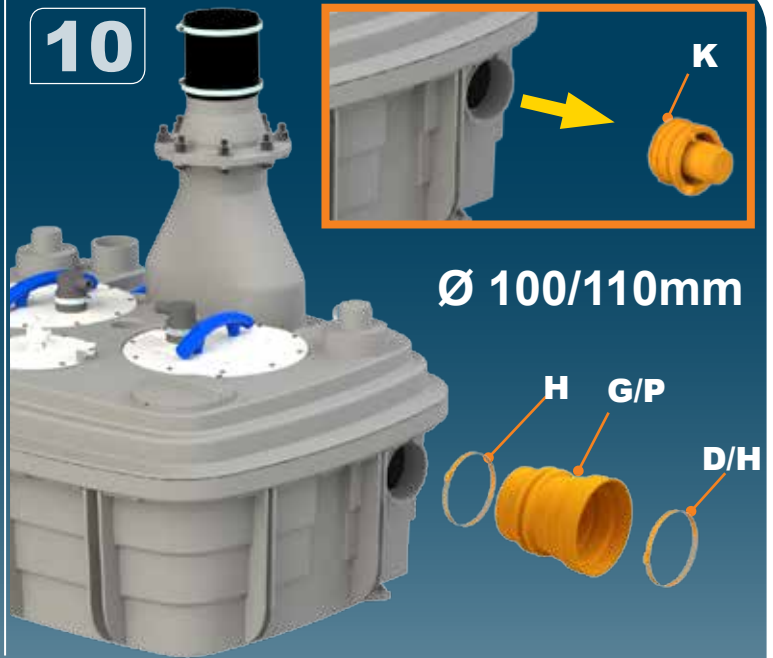




9



10



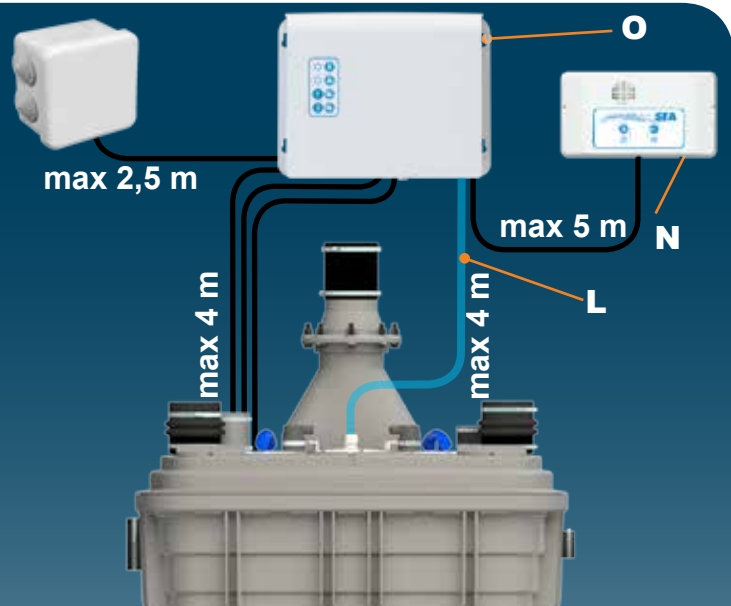
Ø 100/110mm

11a



Ø 50mm

Ø 40/50mm

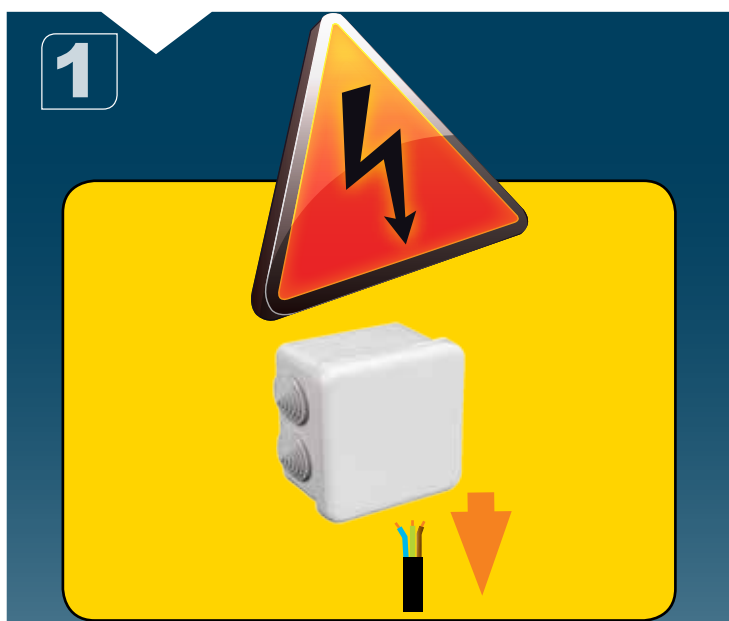
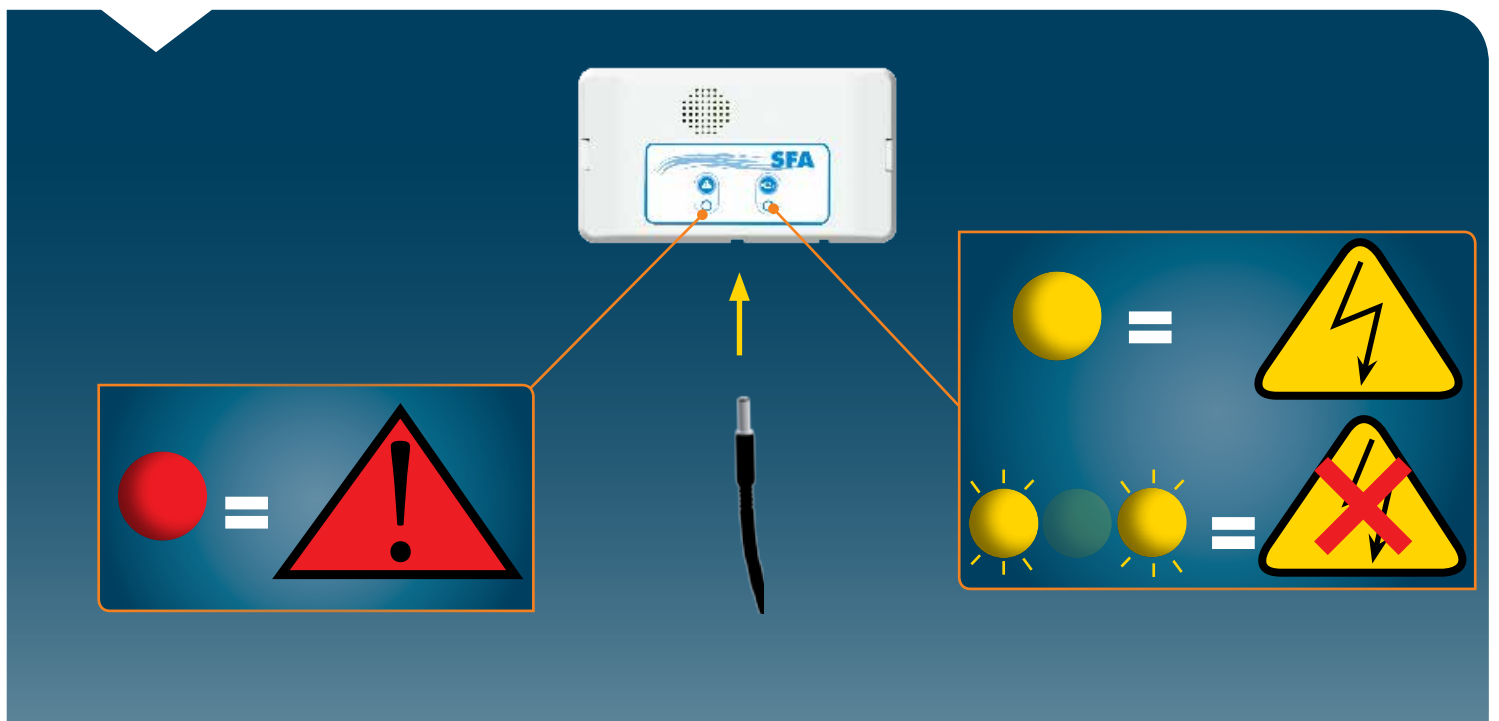
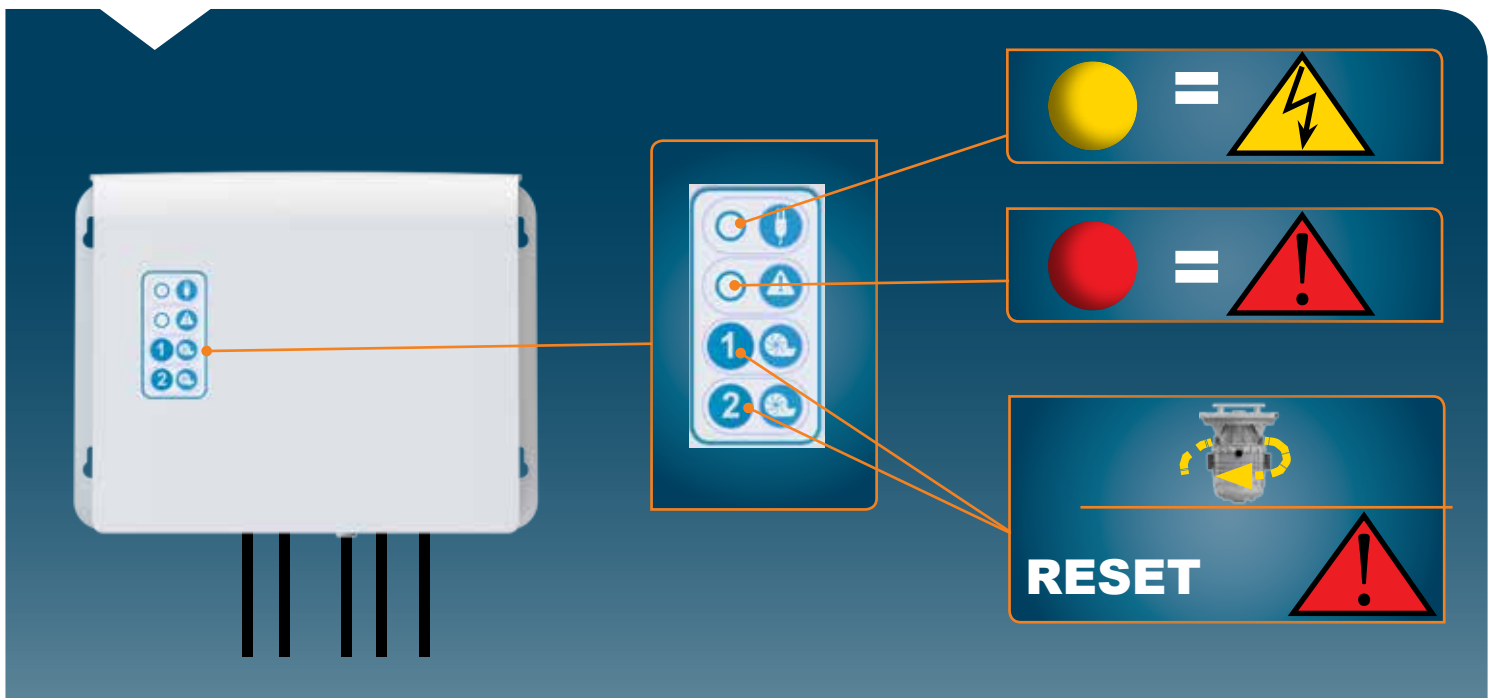


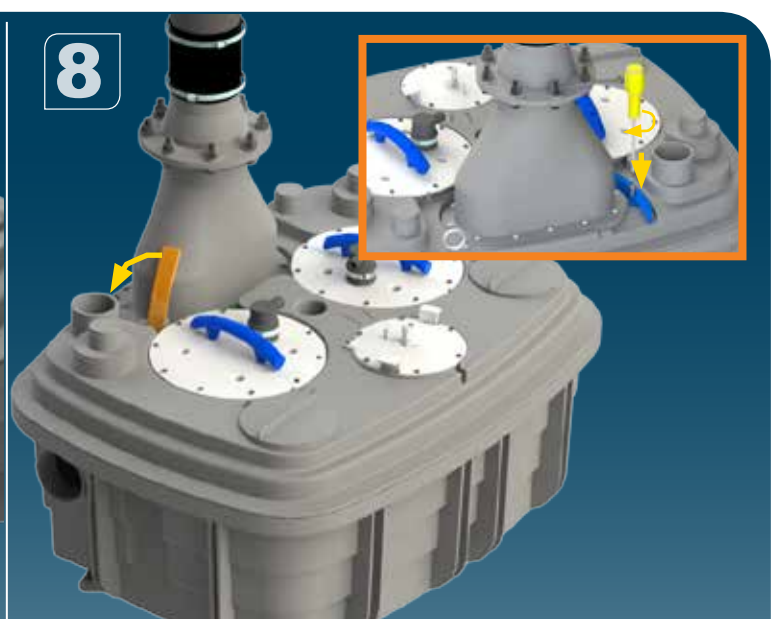
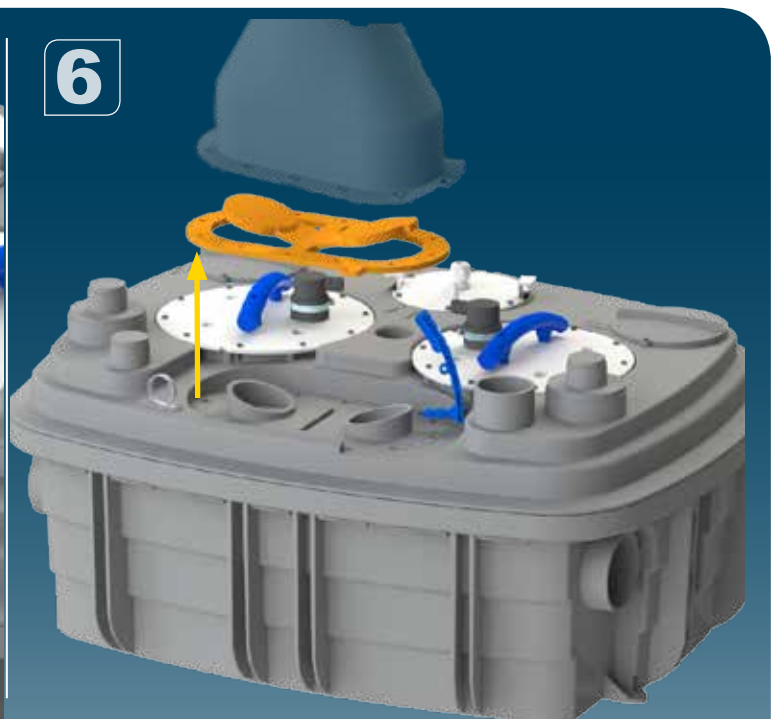
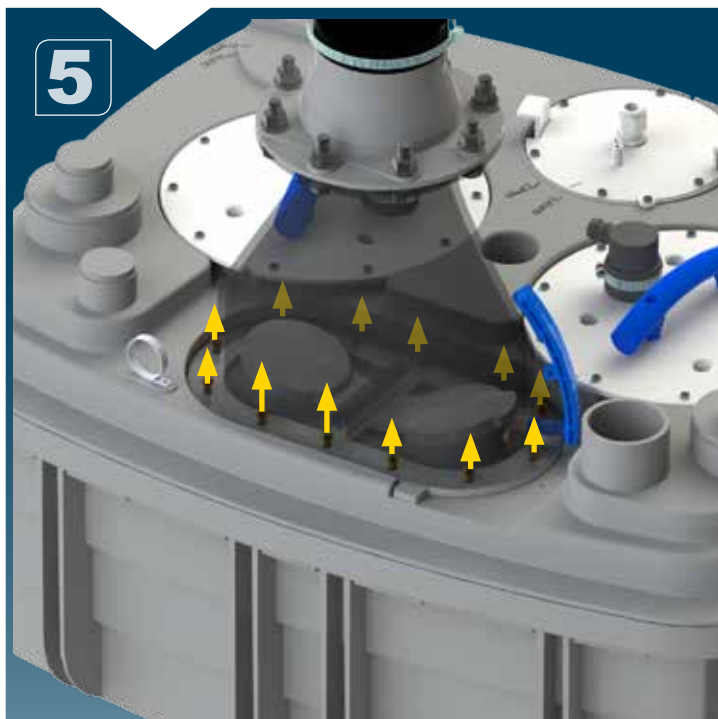
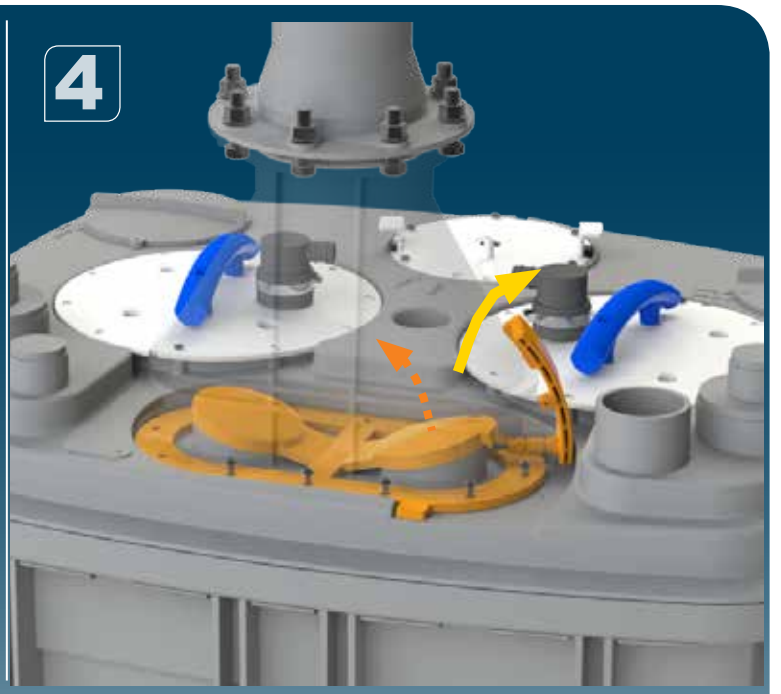
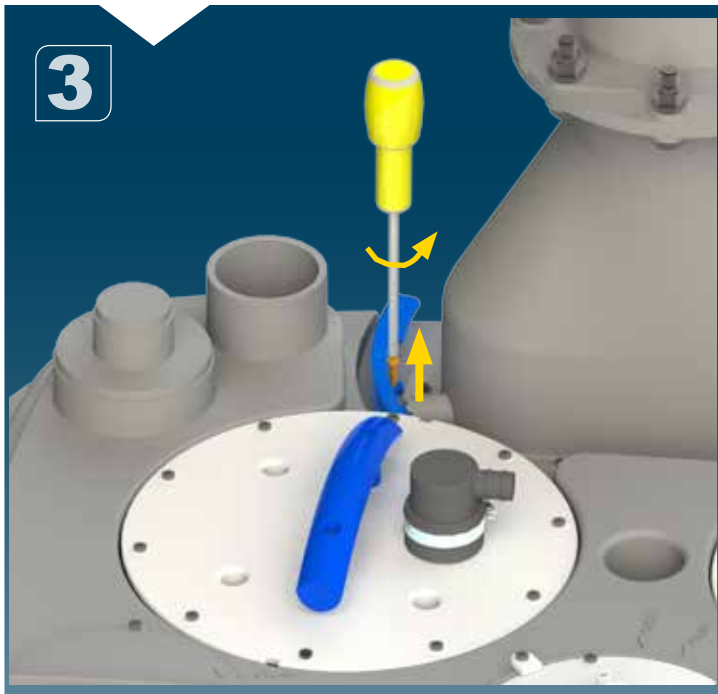
max 2,5 m

max 5 m

max 4 m

max 4 m





1



2



3

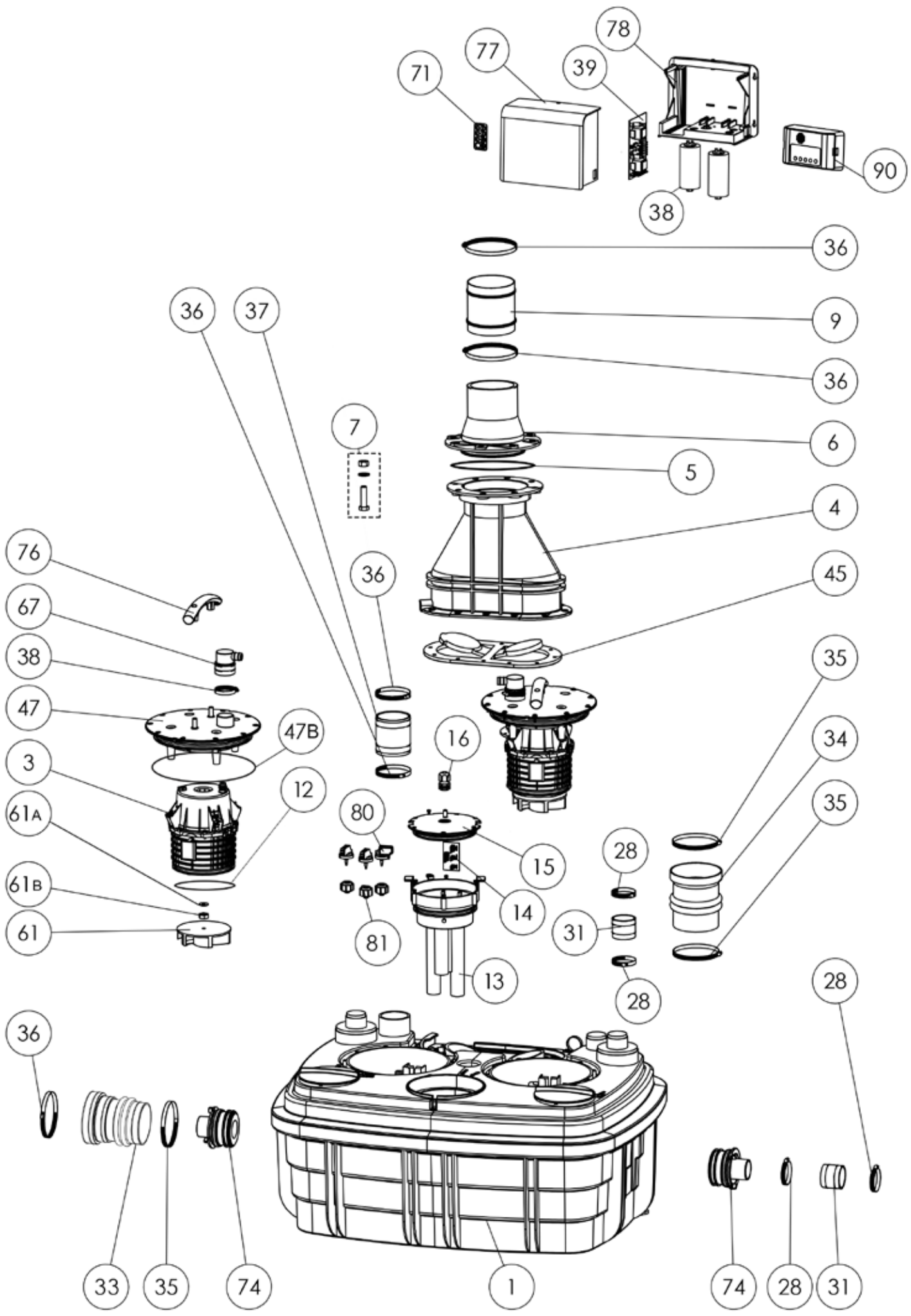


4

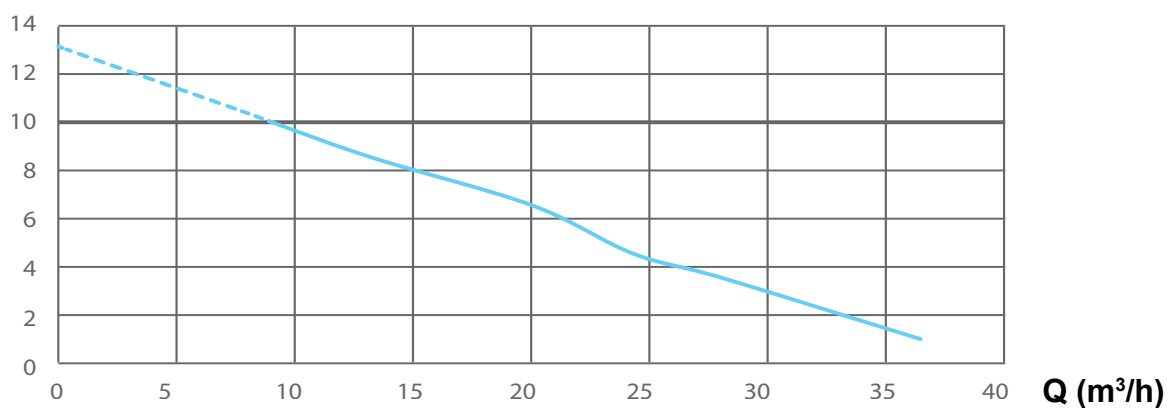


5





H (m)



SANICUBIC 2 XL

EN 12050-1

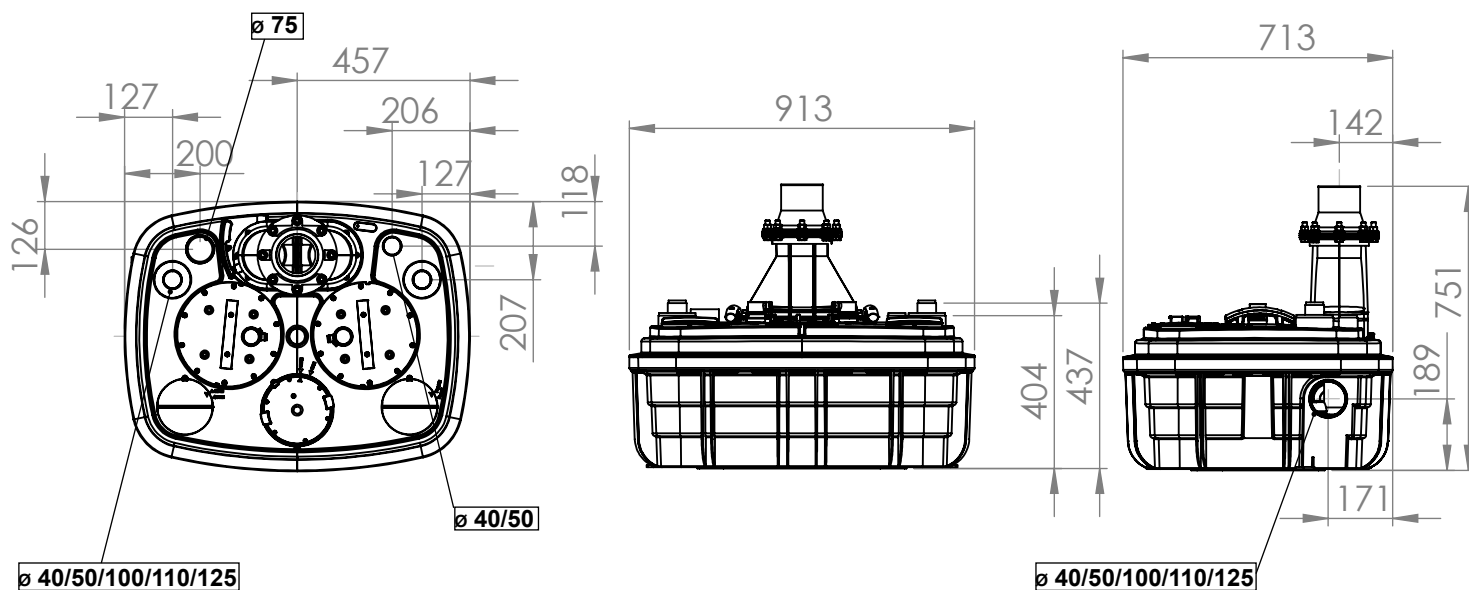
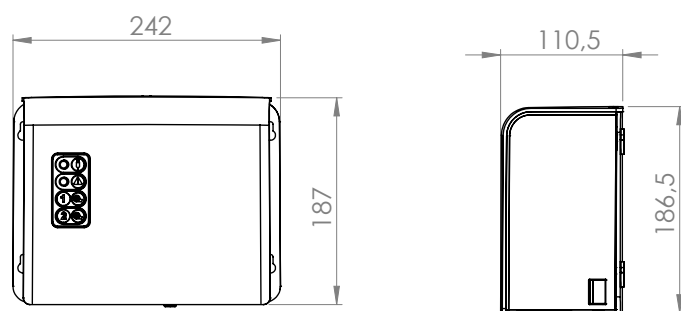
220-240 V - 50 Hz

2 x 2000 W - 16A - \oplus CLASS 1

IP68 - 55 Kg

Max temperature 70°C (max 5min)

Tank volume : 120 L



FRANCE

**SOCIÉTÉ FRANÇAISE
D'ASSAINISSEMENT**
8, rue d'Aboukir - 75002 Paris
Tél. +33 1 44 82 39 00
Fax +33 1 44 82 39 01

UNITED KINGDOM

SANIFLO Ltd.,
Howard House, The Runway
South Ruislip Middx.,
HA4 6 SE
Tel. +44 208 842 0033
Fax +44 208 842 1671

IRELAND

SANIRISH Ltd
IDA Industrial Estate
Edenderry - County Offaly
Tel. +353 46 9733 102
Fax +353 46 97 33 093

AUSTRALIA

SANIFLO (Australasia) Pty Ltd
Unit 9/10, 25 Gibbes Street
Chatswood NSW 2067
Tel. +61 298 826 200
Fax +61 298 826 950

DEUTSCHLAND

SFA SANIBROY GmbH
Waldstr. 23 Geb. B5 -
63128 Dietzenbach
Tel. (060 74) 30928-0
Fax (060 74) 30928-90

ITALIA

SFA ITALIA spa
Via del Benessere, 9
27010 Sizzano (PV)
Tel. 03 82 61 81
Fax 03 82 61 8200

ESPAÑA

GRUPO SFA
C/ Vinyalets, 1 - Pl. Can Vinyalets
08130 Sta. - Perpètua de Mogoda -
Barcelona
Tel. +34 93 544 60 76
Fax +34 93 462 18 96

PORTUGAL

SFA, Lda.
SintraBusinessPark, ed.01-1°P2710-089
Sintra
Tel. +35 21 911 27 85
Fax +35 21 957 70 00

РОССИЯ

SFA РОССИЯ
101000 Москва - Колпачный переулок 9а
Тел.: (495) 258 29 51
Факс: (495) 258 29 51

SUISSE SCHWEIZ SVIZZERA

SFA SANIBROY AG
Vorstadt 4
3380 Wangen a. A.
Tel. +41 (0)32 631 04 74
Fax +41 (0)32 631 04 75

BENELUX

SFA BENELUX B.V.
Voltaweg 4
6101 XK Echt (NL)
Tel. +31 475 487100
Fax +31 475 486515

SVERIGE

SANIFLO AB
BOX 797
S-191 27 Sollentuna
Tel. +46 (0)8-404 15 30
info@saniflo.se

POLSKA

SFA POLAND
ul. Kolejowa 33
05-092 Łomianki/Warszawa
Tel. (+4822) 732 00 32
Fax (+4822) 751 35 16

ČESKÁ REPUBLIKA

SFA-SANIBROY, spol. s r.o.
Na Košince č.ev. 681- 180 00 PRAHA8 -
Libeň
Tel. +420 266 712 855
Fax, +420 266 712 856

ROMANIA

SFA SANIFLO S.R.L.
Strada Leonard Nicolae, nr. 2A
Timișoara 300454
Tel. +40 256 245 092
Fax +40 256 245 029

TÜRKIYE

SFA SANIHYDRO LTD STI
Mecidiye Cad No:36-B Sevensan Apt
34394 MECIDIYEKÖY - ISTANBUL
Tel. +90 212 275 30 88
Fax, +90 212 275 90 58

CHINA

SFA 中国
上海市静安区石门二路333弄3号
振安广场恒安大厦27C (200004)
Tel. +86(0)21 6218 8969
Fax. +86(0)21 6218 8970

KOREA

www.SFA.biz
sales@saniflo-korea.kr

SERVICE HELPLINES

	TEL	FAX			
France	N°Azur 0 810 05 90 02 * LIT (par appel)	03 44 94 46 19	Benelux	+31 475 487100	+31 475 486515
United Kingdom	08457 650011 (Call from a land line)	020 8842 1671	Sverige	+46 (0)8-404 15 30	
Ireland	1850 23 24 25 (LOW CALL)	+353 46 97 33 093	Norge	+46 (0)8-404 15 30	
Australia	+61 3 9543 3891	+61 3 9543 6851	Polska	(+4822) 732 00 33	(+4822) 751 35 16
Deutschland	0800 82 27 82 0	(060 74) 30928-90	Россия	(495) 258 29 51	(495) 258 29 51
Italia	0382 6181	+39 0382 618200	Česká Republika	+420 266 712 855	+420 266 712 856
España	+34 93 544 60 76	+34 93 462 18 96	România	+40 256 245 092	+40 256 245 029
Portugal	+351 219 112 785	+351 219 577 000	Türkiye	+90 212 275 30 88	+90 212 275 90 58
Suisse Schweiz Svizzera	+41 (0)32 631 04 74	+41 (0)32 631 04 75	中国	+86(0)21 6218 8969	+86(0)21 6218 8970

Service information : www.sfa.biz

FR INFORMATIONS COMPLÉMENTAIRES IMPORTANTES

UK IMPORTANT ADDITIONAL INFORMATION

DE WICHTIGE ZUSÄTZLICHE INFORMATIONEN

IT INFORMAZIONI AGGIUNTIVE IMPORTANTI

ES INFORMACIÓN COMPLEMENTARIA IMPORTANTE

PT INFORMAÇÕES COMPLEMENTARES IMPORTANTES

NL BELANGRIJKE EXTRA INFORMATIE

SE ANNAN VIKTIG INFORMATION

DK VIGTIGE SUPPLERENDE OPLYSNINGER

NO VIKTIG TILLEGGSINFORMASJON

FI TÄRKEITÄ LISÄTIETOJA

PL WAŻNE INFORMACJE DODATKOWE

RU ВАЖНАЯ ДОПОЛНИТЕЛЬНАЯ ИНФОРМАЦИЯ

RO INFORMAȚII SUPPLEMENTARE IMPORTANTE

CZ DŮLEŽITÉ DOPLŇUJÍCÍ INFORMACE

TR ÖNEMLİ EK BİLGİLER

JP 重要な説明事項

CN 重要补充信息

KR 중요한 추가 정보

TW 重要補充信息

1 DESCRIPTION

This pumping station is (manufactured in a factory which is quality) certified to ISO 9001. Installed and used correctly, the unit will give consistent and reliable service.

⚠ This device is not designed for persons (including children) with limited physical, sensory or mental abilities, or those with minimal experience and knowledge, unless they are monitored and are given the necessary instructions for using the device, with the help of a person responsible for their safety. Monitor children and make sure they do not play with the device.

2 APPLICATIONS

SANICUBIC® 1 and SANICUBIC® 1 WP are pumping stations specially developed for individual use (detached house or small commercial premises).

SANICUBIC® 2 Classic and SANICUBIC® 2 Pro are pumping stations specially developed for individual, commercial and small community use (small buildings, shops, public places).

SANICUBIC® 2 XL is a pumping station specially designed for community use (professional buildings, restaurants, industries, schools, hotels or shopping centres).

These devices comply with the EN 12050-1 standard (pumping station for waste water containing faeces) as well as the European directives on construction products, electrical safety and electromagnetic compatibility.

3 INSTALLATION

The SANICUBIC® must be installed in compliance with standard EN12056-4. The equipment must be commissioned and maintained by a qualified professional specialist.

1- Attention: the space in which the SANICUBIC® is to be installed must be large enough to leave at least 600 mm of working room around and above the unit to facilitate such maintenance work as may be required.

There must be sufficient lighting, and it must be sufficiently well ventilated and protected from freezing.

2-Isolating valves (not supplied) must be fitted on waste inlets (especially the 110mm inlets) and on the discharge to ensure that any service/maintenance may be carried out safely).

3- The discharge pipe must be fitted so as to avoid all back flow from the drainage system (see the examples in drawing). Back flow can be avoided by installing an anti-back flow riser reaching a high point above the maximum back flow level.

Comment: In the absence of local information to the contrary, the maximum back flow level corresponds to street level (roadway, pavements, etc.). Continue the discharge pipework after the anti-backflow riser, using a larger diameter pipe.

4- If the SANICUBIC® is installed in a space such as a pit for example, we would recommend the fitting of a bilge pump in case of flooding.

5- The lifting station must be vented with an open vent outlet at roof level. Do not fit an air admittance valve as the pump will not function correctly.

ELECTRICAL CONNECTIONS

1- The electrical installation work must be carried out by a qualified electrician.

The electrical installation must comply with the standards in force in the country concerned

2- The power supply must be of the class 1 type. The unit must be connected via an earthed connection box. The electric power circuit must be protected by a high-sensitivity 30 mA differential circuit breaker set at 20 A. The connection must be used solely to power the SANICUBIC®. If the power lead on the unit is damaged, it must be replaced by the manufacturer or its after-sales service to avoid all danger.

4 COMMISSIONING

1- Once the plumbing and electrical connections have been made, check that the connections are watertight by letting water flow successively through each inlet used. Make sure that the unit is operating correctly by carrying out at least two start cycles with water to test the system.

2- **WARNING! Do not operate the motors manually (using the key pad) where no water has entered the SANICUBIC®. Operation without water damages the maceration system.**

5 OPERATING PRINCIPLE

- SANICUBIC® 1/SANICUBIC® 1° WP contains 1 pump equipped with a high performance shredding system.

- SANICUBIC® 2 Classic/SANICUBIC® 2 Pro contains two independent pumps. Each of these pumps is equipped with a high performance shredding system.

Both pumps operate alternately to ensure even wear. In case of surcharge operation, both motors run simultaneously (or if one pump fails, the other takes over).

- SANICUBIC® 2 XL contains two independent pumps, each with a clearance of 55 mm.

The tank is equipped with three dip tubes, two of which control motor activation for double security, and the third controls the alarm system.

• 2 Long dip tubes

During normal operation, as soon as the effluents reach the long tube's activation level in the tank, the pumping system switches on.

• Short dip tube

During surcharge operation, if the effluents reach the highest level in the tank (short tube), an audible and visual alarm system is activated and the pumping system switches on (if it is not faulty).

6 CONTROL BOX OPERATION

SANICUBIC® 1 CONTROL KEYPAD OPERATION (IP67)

1/ General alarms:

Level alarm:

If the water level inside the device is abnormally high, the high level diptube microswitch will activate the motor and the alarm LED lights up red. If this LED flashes red, it indicates a detection problem for the normal water level (Long dip tube).

Time alarm:

If the motor runs continuously for more than 1 minute, the red LED alarm lights up.

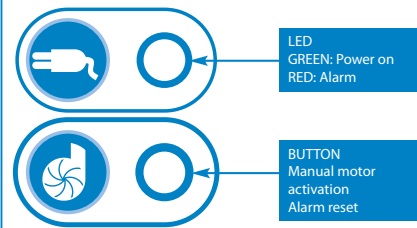
2/ Reset alarm:

The button on the keypad will only allow you to turn off the red LED (it will turn green) if the problem that triggered the alarm has been resolved. It also allows you to stop the buzzing from the remote alarm control.

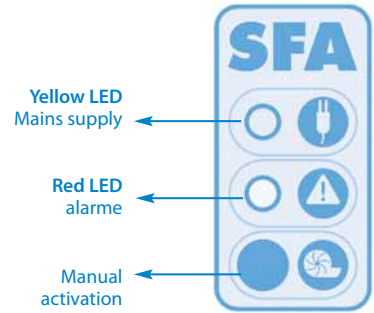
Mains alarm:

- If the LED is off, there is no power supply.

- When the device is powered on again, and the LED flashes green, this indicates that the mains voltage has temporarily disappeared.



OPERATION OF THE SANICUBIC® 1 WP REMOTE CONTROL BOX



OPERATION OF THE ALARM

1/ General alarms:

Level alarm:

If the water level inside the device is abnormally high: the buzzer is triggered + the red alarm LED lights up + the motor starts-up. If this LED flashes red, it indicates a detection problem for the normal water level (Long dip tube).

Temporary alarm:

If the motor runs for more than 1 minute: the buzzer is triggered + the red alarm LED lights up.

Mains alarm:

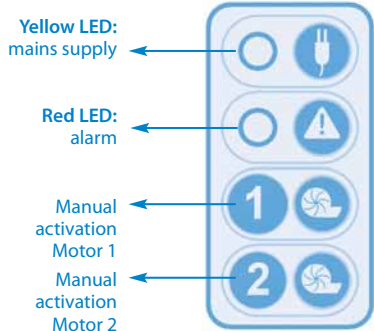
In case of power failure (or when unplugging the device): the buzzer is triggered + the red alarm LED lights up + the yellow mains LED flashes.

2/ General alarm reset:

If the problem that triggered an alarm above disappears, the buzzer stops, but the red alarm LED remains lit as a reminder of the fact that the system encountered a problem.

The keypad key will stop the buzzer in all cases, but it will only turn off the red LED if the problem that triggered the alarm has been resolved. Alarms from the remote box also remain active until the problem has been solved. This prevents the system from being «abandoned» by default.

OPERATION OF THE SANICUBIC® 2 Classic/ SANICUBIC® 2 Pro/SANICUBIC® 2 XL REMOTE CONTROL BOX



OPERATION OF THE ALARM

1/ General alarms:

Level alarm:

If the water level inside the device is abnormally high: the buzzer is triggered + the red alarm LED lights up + both motors start-up. If this LED flashes red, it indicates a detection problem for the normal water level (Long dip tube).

Temporary alarm:

If one of the two motors runs for more than 1 minute: the buzzer is triggered + the red alarm LED lights up + the other motor starts-up.

Mains alarm:

In case of power failure (or when unplugging the device): the buzzer is triggered + the red alarm LED lights up + the yellow mains LED flashes.

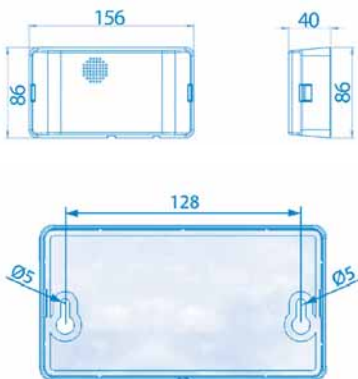
2/ General alarm reset:

If the problem that triggered an alarm above disappears, the buzzer stops, but the red alarm LED remains lit as a reminder of the fact that the system encountered a problem.

One of the two keypad keys will stop the buzzer in all cases, but it will only turn off the red LED if the problem that triggered the alarm has been resolved. Alarms from the remote box also remain active until the problem has been solved. This prevents the system from being left unknowingly in a faulty state

7 OPERATION OF THE ALARM UNIT

For wall mounting of the unit, use the following image as a guide:



OPERATION OF THE SANICUBIC® 1/SANICUBIC® 1 WP/SANICUBIC® 2 Classic/SANICUBIC® 2 XL WIRED ALARM UNIT

The SANICUBIC® alarm unit does not require a separate power supply. The power is supplied through the SANICUBIC®. In case of power failure, the alarm unit's battery takes over.



Reset (*):

Connection of the alarm unit to the device:

Connect the alarm cable directly to the unit.

1/ The red general alarm LED reproduces the operation of the corresponding LED on the SANICUBIC® control panel. The alarm unit sounds as long as the fault is present. To stop the alarm, press the reset (*) button on the device's keypad or the button under the alarm unit.

2/ The yellow «mains» LED indicates the power supply status of the alarm unit

-steadily glowing light = live SANICUBIC® connected to the mains supply

-flashing = power failure on the SANICUBIC®.

OPERATION OF THE SANICUBIC® 2 PRO H/F ALARM UNIT



RED LED
général alarm

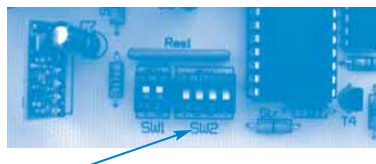
Yellow LED
Alarm
transmission

Green LED
mains alarm

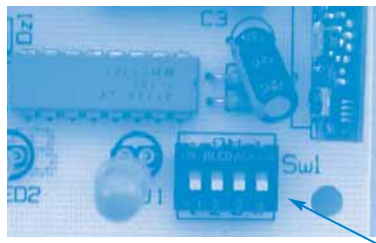
The alarm unit is in HF connection -868 Mhz HF with the SANICUBIC® 2 Pro. It receives various alarm information from it. If other devices operating in HF are disrupted by the system

(or vice versa), a commutation of the HF -868 Mhz coding has been anticipated, which connects the base card and the remote alarm unit.

In the event of interference with other HF devices or other SANICUBIC® 2 Pro devices nearby, unplug the unit and the remote module, switch one or more of the 4 switches of the device's card (SW2).



and do the same on the remote unit's card.



Warning: the code must be the same for the 2 cards.

The alarm unit has 3 LEDs and 1 buzzer.

1/ The red «general alarm» LED reproduces the operation of the corresponding LED on the SANICUBIC® control panel.

2/ The yellow «HF reception» LED reproduces the operation of the SANICUBIC® control panel's yellow mains LED:

- steady light = transmission OK, the SANICUBIC® control panel connected to the mains supply

- blinking = transmission OK, but power failure on the SANICUBIC® control panel (which then runs on battery)

- off = no HF reception (check that the code is the same as the SANICUBIC® control panel or loss of HF signal (too far away) discharged or failure of the SANICUBIC® control panel.

3/ Green «mains» LED indicates the power status of the alarm remote unit:

- steady light = live unit connected to the mains supply

- flashing = mains failure on the unit (which is therefore operating on battery)

- off = failure of the unit or discharged battery

4/ The buzzer sounds continuously during an alarm. It stops buzzing if the cause of the alarms disappear or if you press the general alarm reset button.

8 DEVICE MAINTENANCE

The correct functioning of the pumping station should be checked visually once a month and must be checked regularly by qualified personnel (annually). If, however, you encounter technical problems, please consult the after-sales service.

9 FAULT FINDING GUIDE



IN ALL CASES, YOU MUST DISCONNECT THE PUMPING STATION FROM THE POWER SUPPLY

Alarm on Sanicubic® 1 device (IP67)

FAULT DETECTED	POSSIBLE CAUSES	ACTION TO BE TAKEN
flashing red alarm LED	• Water level detection system faulty	• Consult SFA after-sales service
Steady red alarm LED	• Blocked vent pipe • Blocked discharge • Blocked pump or out of order • Discharge too high or excessive inflow	• Check that air flows freely in both directions in the vent pipe • Review installation • Consult the SFA customer services
LED off	• Power outage • Faulty printed circuit board	• Check the electrical system • Consult the SFA customer services

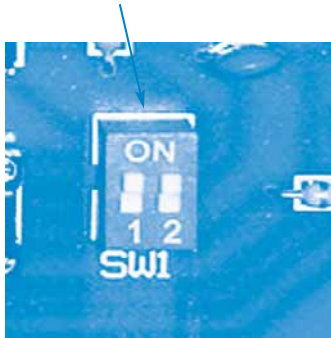
Alarm on the Sanicubic® 1 WP/ Sanicubic® 2 Classic/Sanicubic® 2 Pro/ Sanicubic® 2 XL control box

FAULT DETECTED	POSSIBLE CAUSES	ACTION TO BE TAKEN
Siren + flashing red general alarm LED	• Water level detection system faulty	• Consult the SFA customer services
Siren + steady red general alarm LED	• Blocked vent pipe • The device has encountered the following problem: blocked pipe, pump(s) blocked • The device has encountered a power failure	• Check that air flows freely in both directions in the vent pipe • Press the manual start button to reset the device (alarm off) • Consult SFA customer services
Siren + general alarm LED + flashing yellow mains LED	• Mains cut	• To stop the siren, press on the Force Start button • Check the electrical system • Consult the SFA customer services

10 DISMANTLING

INSTRUCTIONS RESERVED EXCLUSIVELY FOR QUALIFIED PROFESSIONAL SPECIALISTS

If one of the motors cannot be made to operate correctly, use of that motor can be “disabled” by setting the corresponding switch on the board (SW1: switches 1 and 2 for motors 1 and 2).

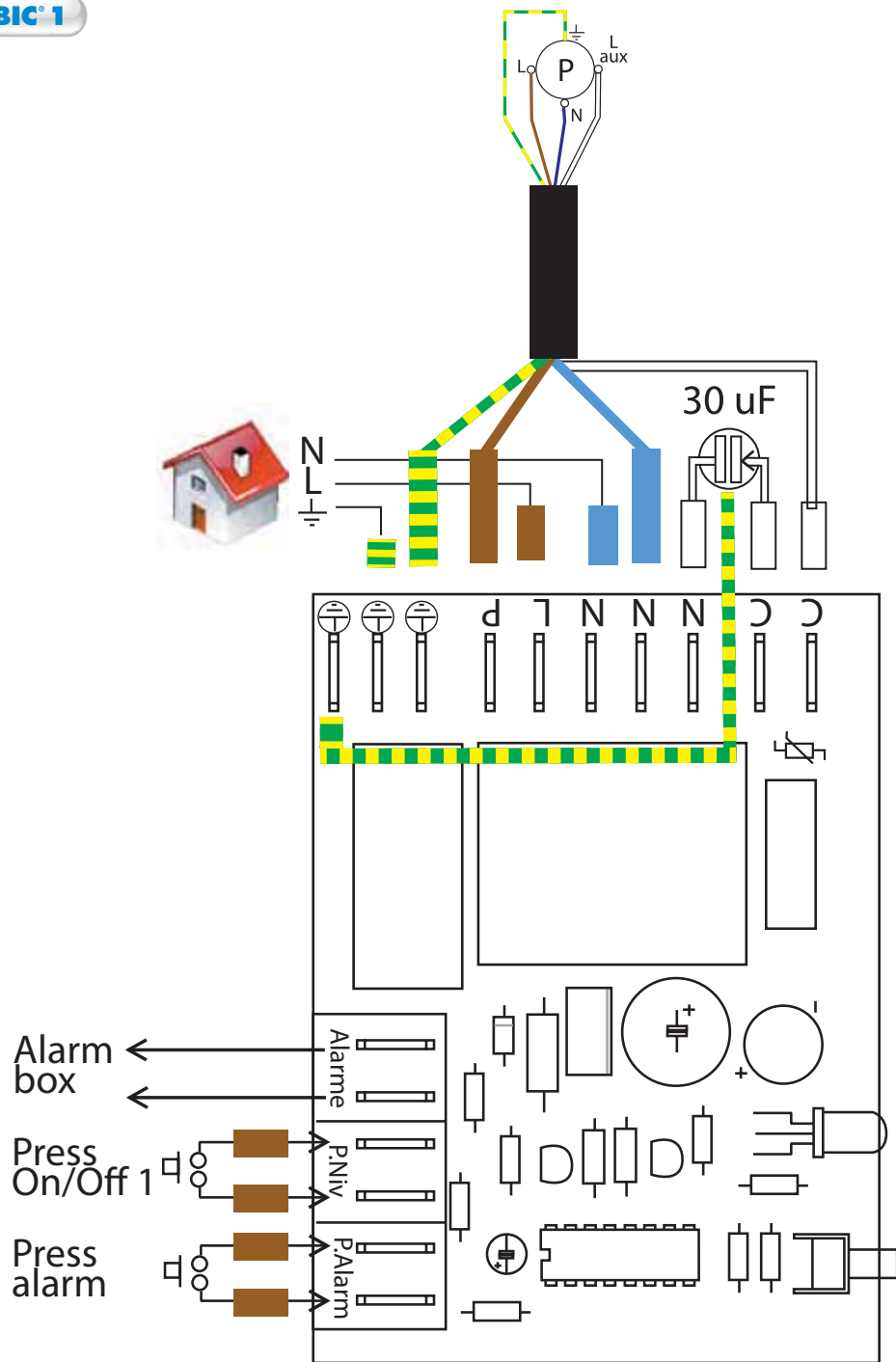


The motor thus “disabled” can be removed. The unit operates on the other motor.

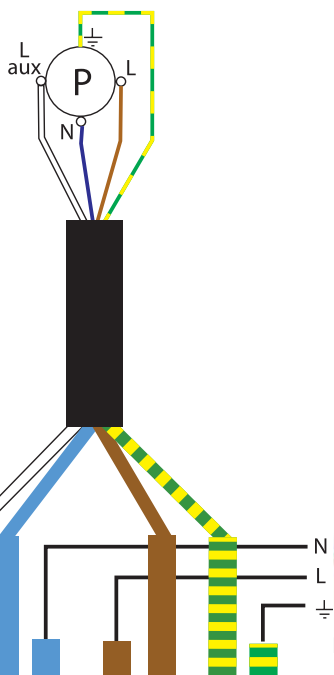
11 GUARANTEE

2 years guarantee as from its date of purchase subject to correct installation and correct use.

Only the disposal of toilet paper, faecal matter, and waste water will be under guarantee. Any damage due to foreign bodies such as cotton, condoms, sanitary towels, wet wipes, food, hair, metal, wood or plastic objects, will not be under guarantee. Solvents, acids and other chemicals can also cause damage to the unit, and will invalidate the guarantee.



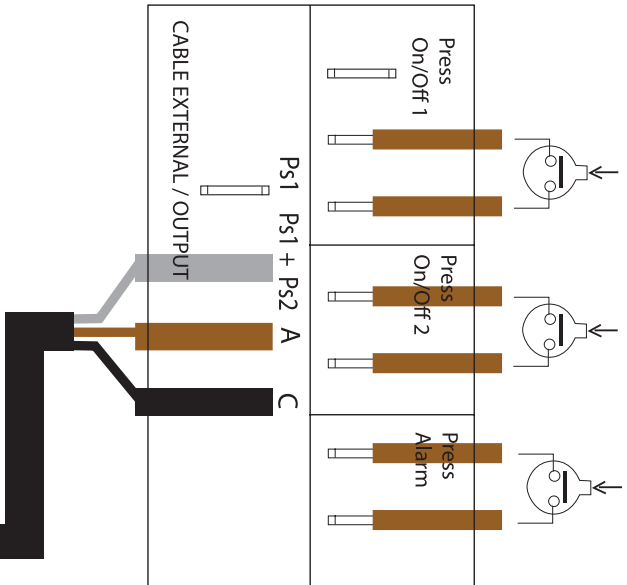
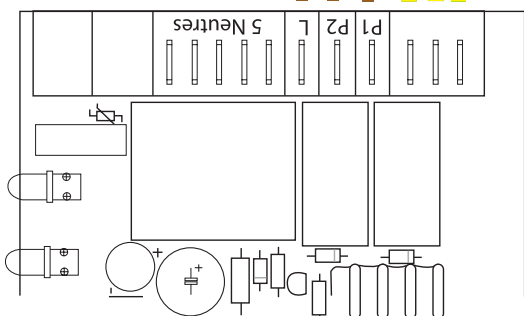
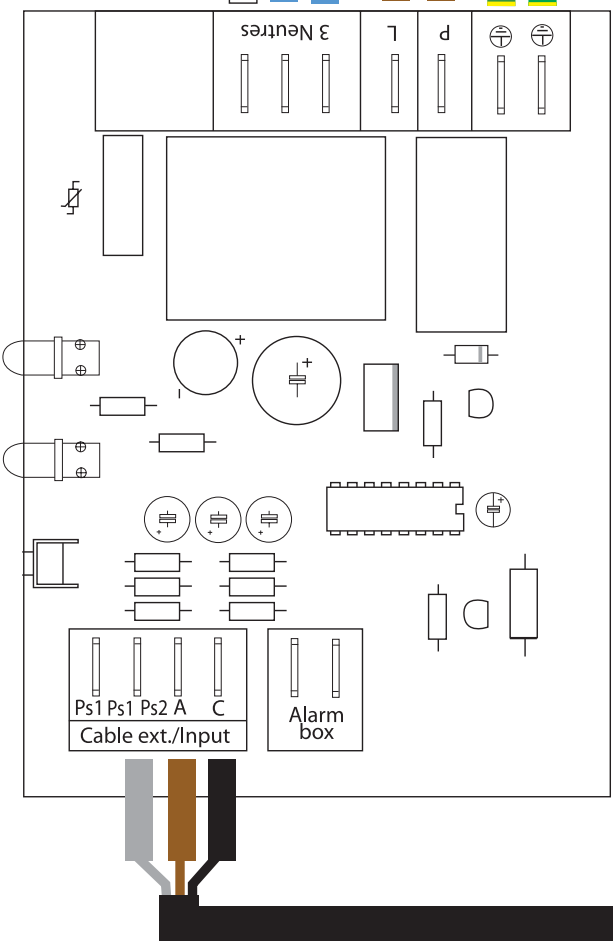
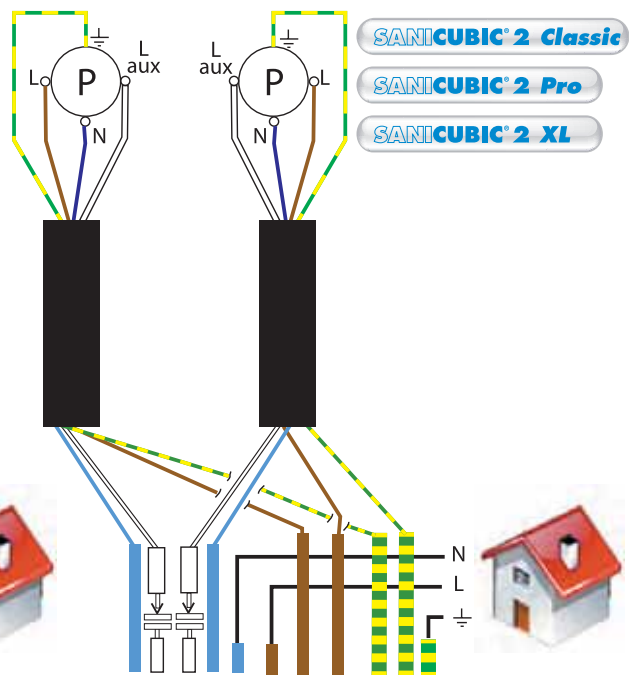
SANICUBIC 1 WP



SANICUBIC 2 Classic

SANICUBIC 2 Pro

SANICUBIC 2 XL



FRANCE

**SOCIÉTÉ FRANÇAISE
D'ASSAINISSEMENT**
8, rue d'Aboukir - 75002 Paris
Tél. + 33 1 44 82 39 00
Fax + 33 1 44 82 39 01

UNITED KINGDOM

SANIFLO Ltd.,
Howard House, The Runway
South Ruislip Middx.,
HA4 6SE
Tel. +44 208 842 0033/4040
Fax +44 208 842 1671

IRELAND

SANIRISH Ltd
IDA Industrial Estate
Edenderry - County Offaly
Tel. + 353 46 9733 102
Fax + 353 46 97 33 093

AUSTRALIA

SANIFLO (Australasia) Pty Ltd
Unit 9-10, 25 Gibbes Street
Chatswood
NSW 2067
Tel. +61 298 826 200
Fax +61 298 826 950

DEUTSCHLAND

SFA SANIBROY GmbH
Waldstr. 23 Geb. B5 - 63128 Dietzenbach
Tel. (060 74) 30928-0
Fax (060 74) 30928-90

ITALIA

SFA ITALIA spa
Via del Benessere, 9
27010 Sizzano (PV)
Tel. 03 82 61 81
Fax 03 82 61 8200

ESPAÑA

SFA SI
C/ Vinyalets,1 - P.I. Can Vinyalets
08130 Sta. - Santa Perpètua de Mogoda -
Barcelona
Tel. +34 93 544 60 76
Fax +34 93 462 18 96

PORTUGAL

SFA, Lda.
Sintra Business Park, ed.01-1ºP
2710-089 Sintra
Tel. +35 21 911 27 85
Fax. +35 21 957 70 00

SUISSE SCHWEIZ SVIZZERA

SFA SANIBROY AG
Vorstadt 4
3380 Wangen a. A.
Tel. +41 (0)32 631 04 74
Fax +41 (0)32 631 04 75

BENELUX

SFA BENELUX B.V.
Völtaweg 4
6101 XK Echt (NL)
Tel. +31 475 487100
Fax +31 475 486515

SVERIGE

SANIFLO AB
BOX 797
S-191 27 Sollentuna
Tel. +08-404 15 30
info@saniflo.se

POLSKA

SFA POLAND
ul. Kolejowa 33
05-092 Łomianki/Warszawa
Tel. (+4822) 732 00 32
Fax (+4822) 751 35 16

РОССИЯ

SFA РОССИЯ
101000 Москва - Колпачный пер.
9а
Тел. (495) 258 29 51
факс (495) 258 29 51

ČESKÁ REPUBLIKA

SFA-SANIBROY, spol. s r.o
Na Košince - 180 00 PRAHA 8 - Libeň
Tel : +420 266 712 855
Fax : +420 266 712 856

ROMANIA

SFA SANIFLO S.R.L.
Strada Leonard Nicolae, nr. 2A
Timis,oara 300454
Tel. +40 256 245 092
Fax +40 256 245 029

TÜRKIYE

SFA SANIHYDRO LTD ŞTİ
Mecidiye Cad No:36-B Sevensan APT
34387 İSTANBUL Mecidiyeköy
Tel : +90 212 275 30 88
Fax : +90 212 275 90 58

CHINA

SFA 中国
上海市静安区石门二路333弄3号振安广
场恒安大厦27C室 (200041)
Tel. +86(0)21 6218 8969
Fax +86(0)21 6218 8970

KOREA

www.SFA.biz
sales@saniflo-korea.kr

JAPON

SFA Japan 株式会社
(エス・エフ・エー ジャパン 株式会社)
103-0016 東京都中央区日本橋小網町17-17
Tel: 03-5643-1770
Fax: 03-3668-505

SERVICE HELPLINES

France
United Kingdom
Ireland
Australia
Deutschland
Italia
España
Portugal
Suisse Schweiz Svizzera
Benelux
Sverige
Norge
Polska
Россия
Česká republika
România
Türkiye
中国
日本

TEL

► **N°Azur 0 810 05 90 02** ^{1 UT par appel}
08457 650011 (Call from a land line)
1850 23 24 25 (LOW CALL)
+61 3 9543 3891
0800 82 27 82 0
0382 6181
+34 93 544 60 76
+35 21 911 27 85
+41 (0)32 631 04 74
+31 475 487100
+08-404 15 30
+08-404 15 30
(+4822) 732 00 33
(495) 258 29 51
+420 266 712 855
+40 256 245 092
+90 212 275 30 88
+86(0)21 6218 8969
03-3669-6330

FAX

03 44 94 46 19
020 8842 1671
+ 353 46 97 33 093
+61 3 9543 6851
(060 74) 30928-90
+39 0382 618200
+34 93 462 18 96
+35 21 957 70 00
+41 (0)32 631 04 75
+31 475 486515

(+4822) 751 35 16
(495) 258 29 51
+420 266 712 856
+40 256 245 029
+90 212 275 90 58
+86(0)21 6218 8970

Service information : www.sfa.biz