

AXIS I1000



Made in France, the Axis I1000 wood fireplace is a display of geometric versatility and artisan engineered construction. This wood fireplace exudes mesmerizing comfort and unsurpassed classical design excellence. The Axis I1000 wood heater is a superb design that will bring a touch of elegance to any space. The viewing area also gives this French hand made wood heater a luxurious ultramodern feel that is highly desired.



Hand made in the Rhone Alps region of France



Equipped with safety damper



Optional outdoor air-kit



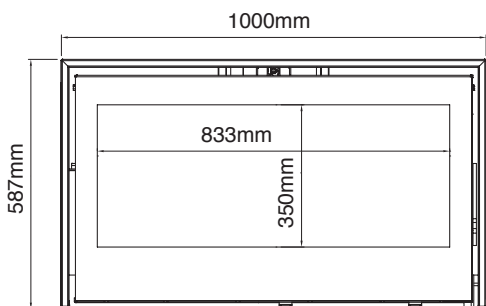
Includes fire grate and ash pan

Heats up to 15-30 squares*

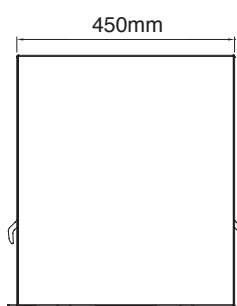
SCULPT™
FIREPLACE COLLECTION

AXIS I1000 specifications

FRONT



SIDE



Material

Heating Capacity

Avg Emissions

Avg Efficiency

Glass door

Minimum flue height

Flue dimension

Outside air kit

Warranty

Weight

Clearances

Minimum hearth

dimensions

Solid steel firebox with fire bricks

Up to 15 to 30 Squares*

1.2g/kg

66%

Secure Swing door opening system

3.6m

197mm, 250mm, 300mm

Recommended for well insulated homes

10 year firebox warranty*

180kg

250mm rear 450mm sides

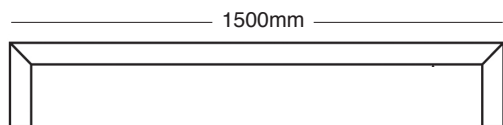
Width:1220mm Depth:1055mm

Thickness:9mm

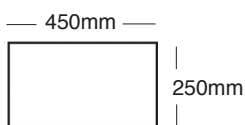
bench options

STEEL

FRONT

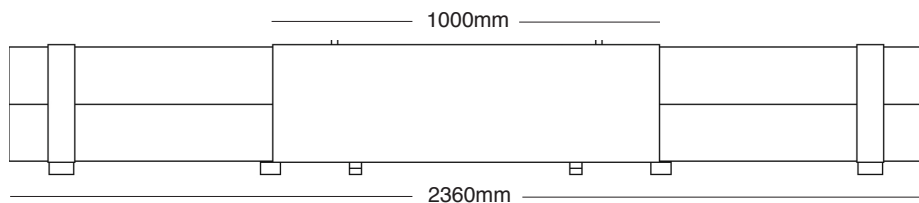


SIDE

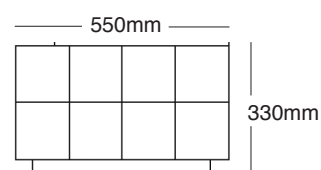


WOOD

FRONT



SIDE



single sided model shown



double sided model shown

AXIS I1000 DS



The artisan engineered Axis I1000 DS is handmade with excellence, this wood fireplace is highly sought after by those who prize the sleek elegance of a panoramic wood heater combined with an unbelievable heating performance and double sided viewing area. The Axis I1000 double sided wood heater make an impressive statement in any space. This slow combustion wood heater discreetly emphasises the art of impeccable design and mastered engineering.



Hand made in the Rhone Alps region of France



Equipped with safety damper



Optional outdoor air-kit



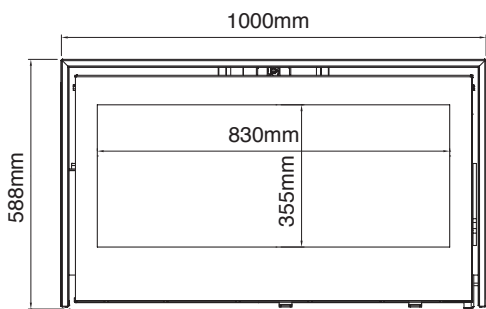
Includes fire grate and ash pan

Heats up to 15 to 30 Squares*

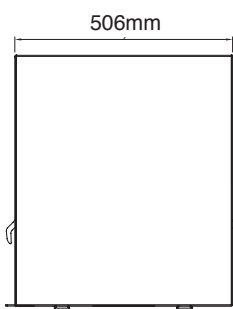
SCULPT™
FIREPLACE COLLECTION

AXIS I1000 DS specifications

FRONT



SIDE



Material

Heating Capacity

Avg Emissions

Avg Efficiency

Glass door

Minimum flue height

Flue dimensions

Outside air kit

Warranty

Weight

Clearances

Minimum hearth

dimensions

Solid steel firebox with fire bricks

Up to 15 to 30 Squares*

1.0g/kg

62%

2X Secure swing door opening systems

3.6m

197mm, 250mm, 300mm

Recommended for well insulated homes

10 year firebox warranty*

180kg

1300mm in front & 450mm on either side

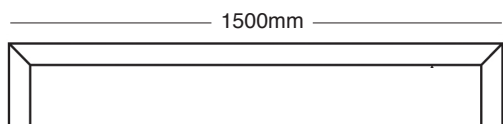
Width: 1220mm Depth: 1605mm

Thickness: 9mm

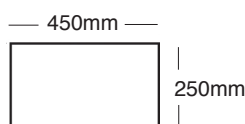
bench options

STEEL

FRONT

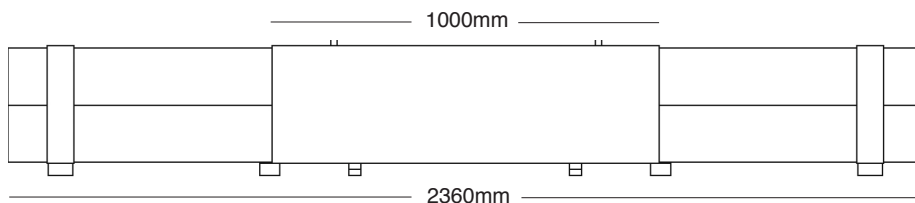


SIDE



WOOD

FRONT



SIDE

