

## Sensys hinges Example Applications



Technik für Möbel

  
**Hettich**

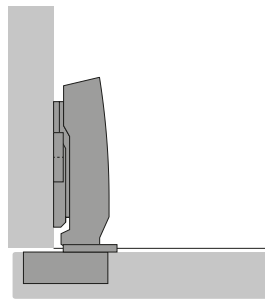
# Example applications

- ▶ Sensys
- ▶ Table of contents



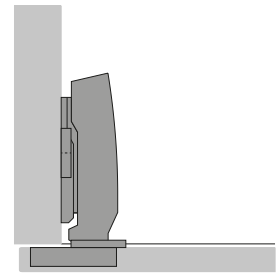
Explanations

4 - 7



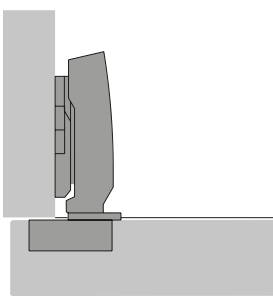
Standard applications

8



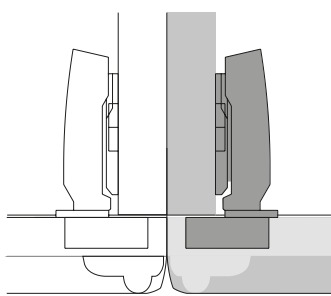
Applications with thin doors

9



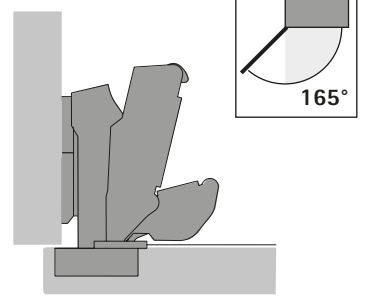
Applications with thick doors

10



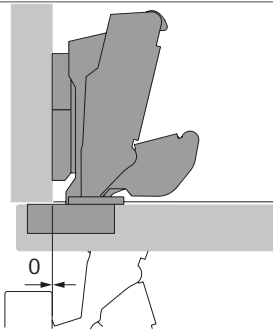
Minimum reveal applications

11



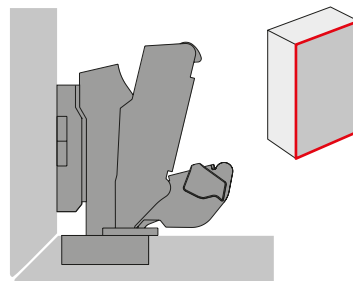
Applications with wide opening angle up to 165°

12



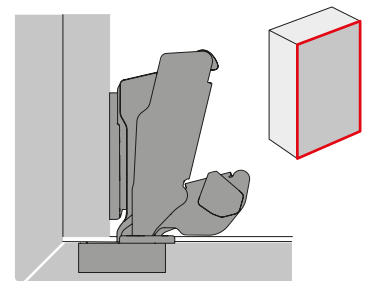
Applications with zero protrusion (drawers behind hinged doors)

13



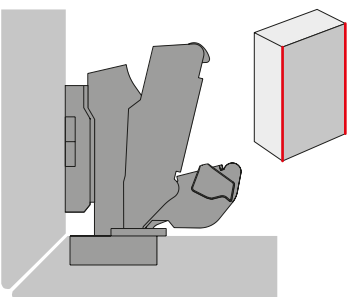
Applications mitred all round

14



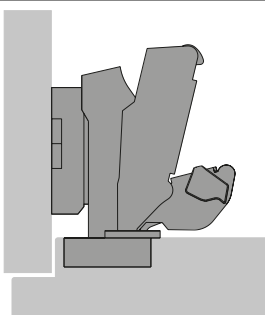
Mitred all round with internal facing panel

15



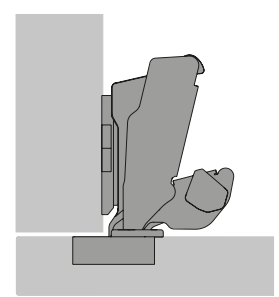
Applications with side mitering

16



Rebated doors

17

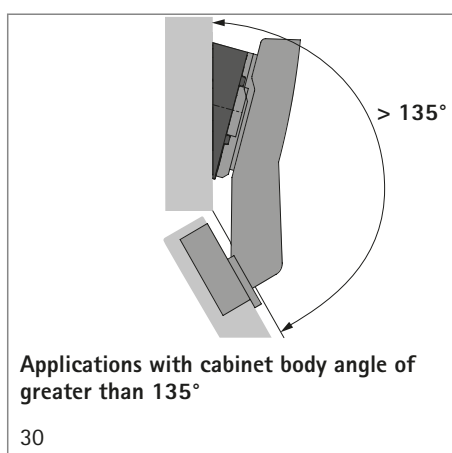
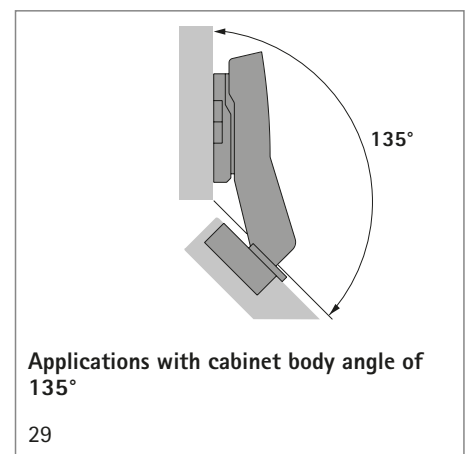
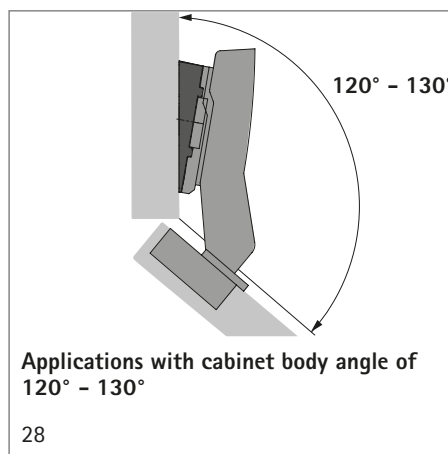
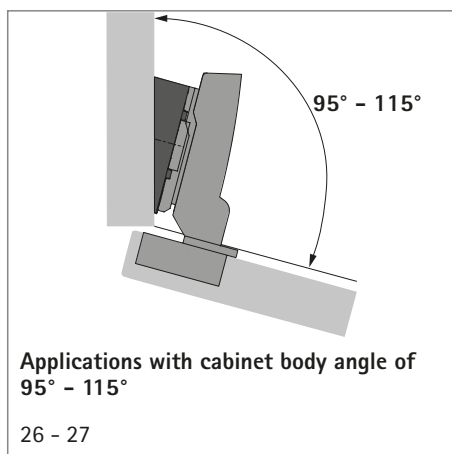
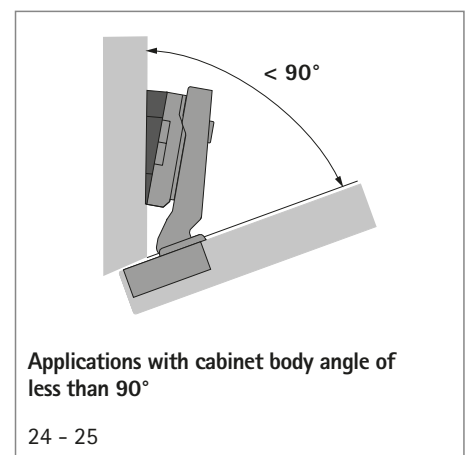
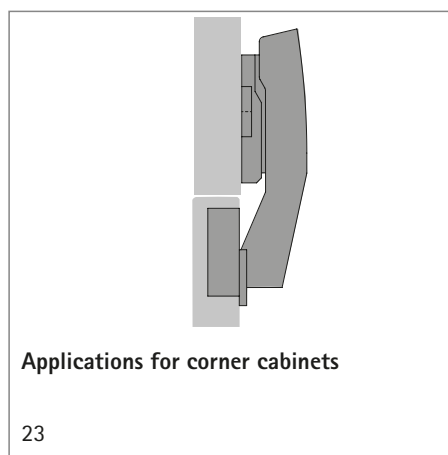
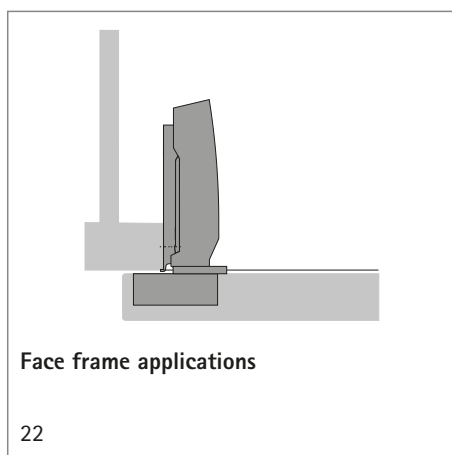
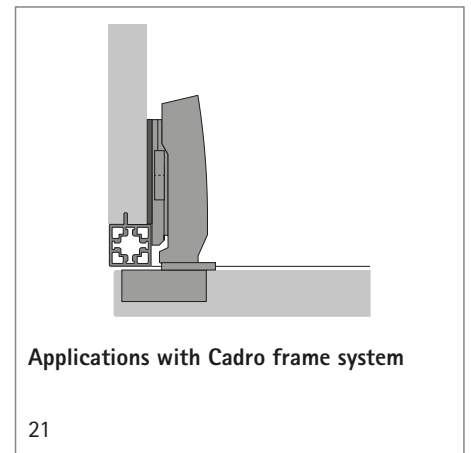
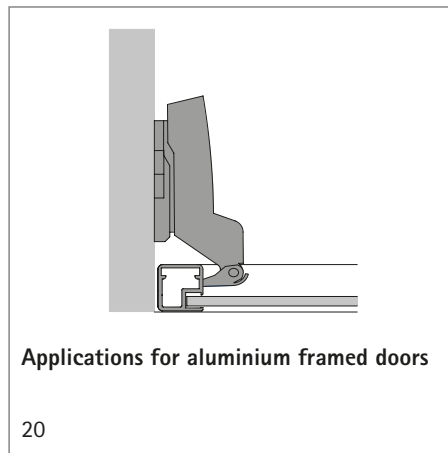
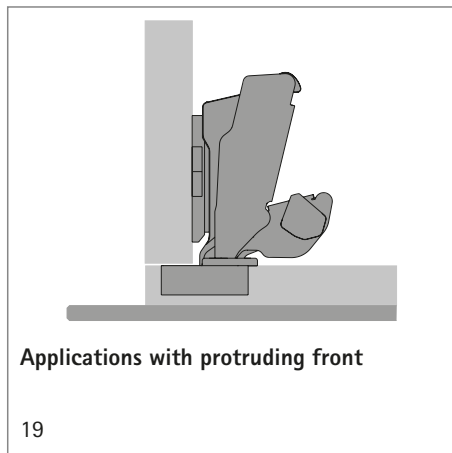


Applications with large overlay

18

# Example applications

- ▶ Sensys
- ▶ Table of contents



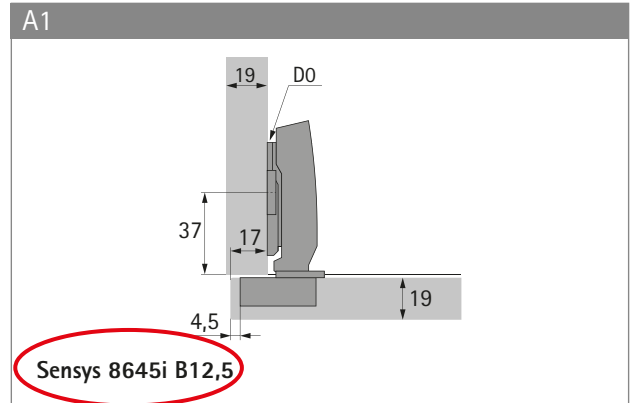
# Example applications

- ▶ Sensys
- ▶ Explanations

## Hinge

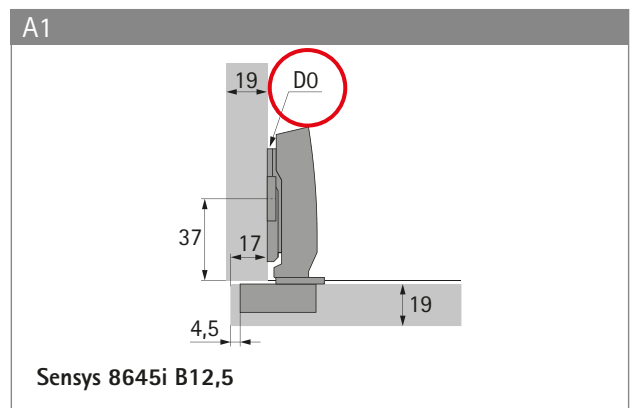
The required hinge is shown with hinge type and base B on the relevant drawings.  
Hinges without Silent System or without self closing feature can be used as well as hinges with integrated Silent System.

Good to know: all Sensys hinges with the same base are completely interchangeable in terms of overlay and required mounting plate distance.

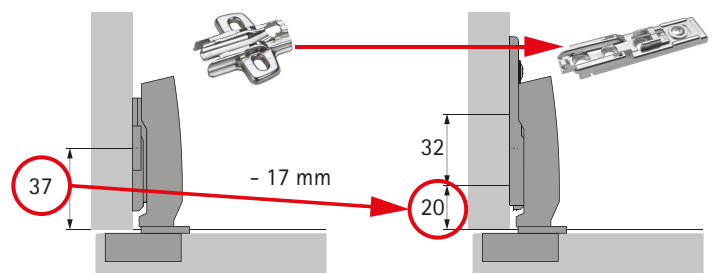


## Mounting plate

The mounting plate distance needed is shown in the drawing.  
Mounting plate distances greater than 8 mm can be provided by using the adapter plate in combination with a parallel adapter.



Unless otherwise stated, the mounting position refers to the use of a cross mounting plate for hole line distance (LR) of 37 mm; if a linear mounting plate is used, the mounting position must be adjusted accordingly.



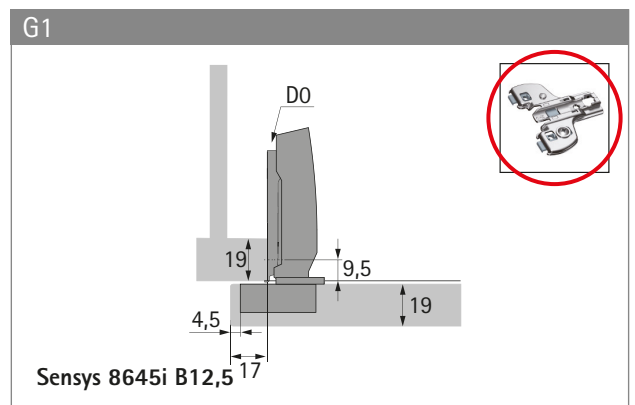
Any other mounting plate required is shown by a pictogram on the drawing.



Linear mounting plate



Face frame mounting plate



# Example applications

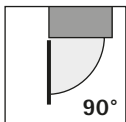
- ▶ Sensys
- ▶ Explanations

## Accessories

Any other accessories required are shown by a pictogram on the relevant drawing.



Adapter for reducing drilling depth, indicating thickness



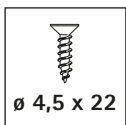
Opening angle limiter, indicating the required angle



Adapter for inset doors on front frame



Angle adapter, indicating the required angle(s)



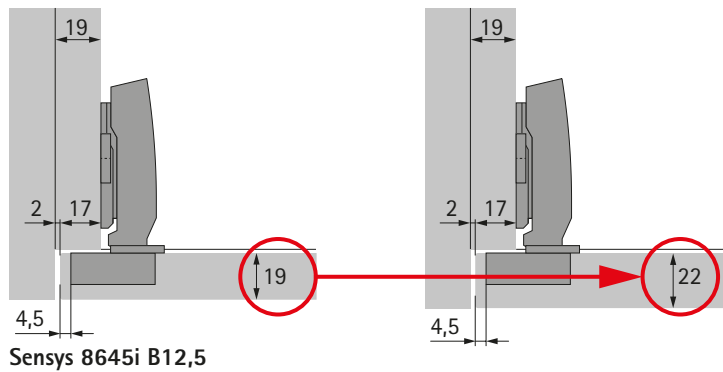
Fixing screws, showing diameter and length

# Example applications

- ▶ Sensys
- ▶ Explanations

## Modification of the example applications: thicker door

The thicker the door, the larger the minimum reveal required. If any components are positioned adjacent to the door on the hinge side, a clear space must be provided that's at least as wide as the minimum reveal.



### Minimum reveal per door

Door thickness mm	Cup distance C mm					
	3,0	4,0	4,5	5,0	6,0	7,0
15	0,2	0,2	0,2	0,2	0,2	0,2
16	0,3	0,3	0,3	0,3	0,3	0,3
17	0,4	0,4	0,4	0,4	0,4	0,4
18	0,6	0,6	0,6	0,6	0,6	0,5
19	0,8	0,8	0,8	0,8	0,7	0,7
20	1,1	1,0	1,0	1,0	1,0	0,9
21	1,4	1,3	1,3	1,3	1,2	1,2
22	2,2	2,0	1,7	1,6	1,6	1,5
23	3,0	2,6	2,4	2,2	2,0	1,9
24	3,9	3,4	3,2	3,0	2,6	2,4

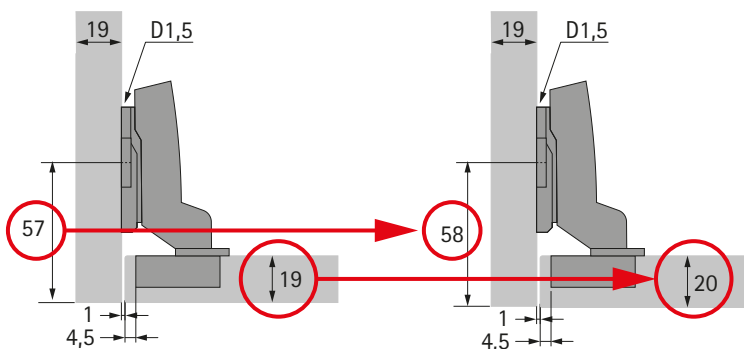
If a thicker door is chosen, the required minimum reveal must be checked against the minimum reveal table on the catalogue page for the hinge concerned.

In the example shown above, the thicker door can be fitted without a problem as the required minimum reveal of 1.7 mm is smaller than the reveal of 2 mm chosen for the furniture.

If this is not the case, the chosen reveal will be narrower than the minimum reveal that's needed. This leaves the following options

- Increase cup distance C (the larger the cup distance, the smaller the minimum reveal), although this can only be done with differences of a few tenths of a millimetre
- Select another hinge with narrower minimum reveal, e.g. Sensys thick door hinge 8631i

For inset doors, the mounting plate drilling positions must be set back by the appropriate distance.



# Example applications

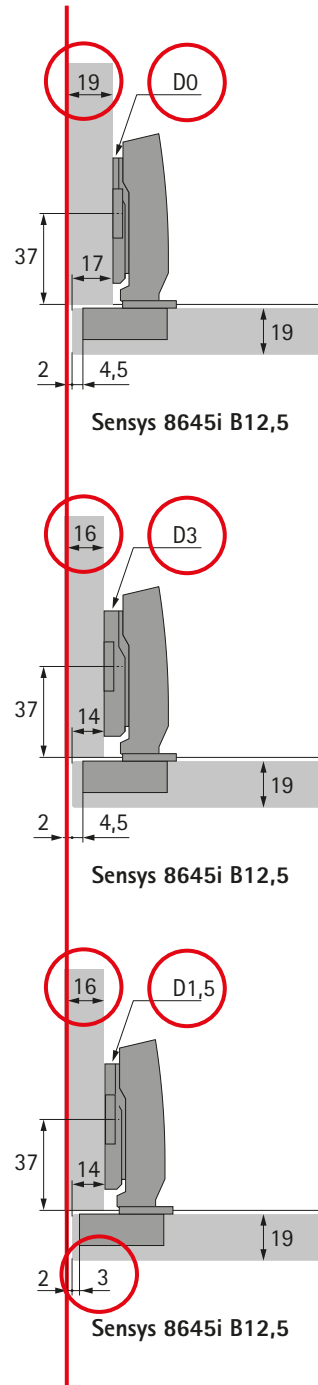
- ▶ Sensys
- ▶ Explanations

## Modification of the example applications: thinner cabinet body side

The easiest way to compensate for a thinner cabinet body side with overlay and half overlay doors is to select a thicker mounting plate distance that suits the application.

Alternatively, cup distance C can also be reduced or achieved with a combination of both.

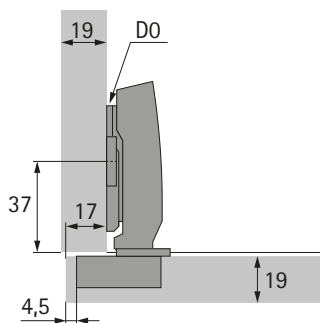
(Note: check minimum reveal when reducing cup distance C)



# Example applications

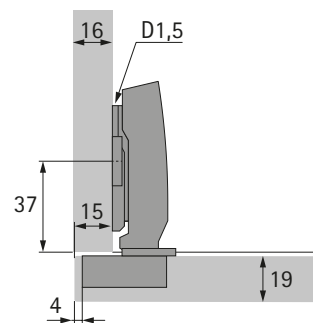
- ▶ Sensys
- ▶ Standard applications

A1



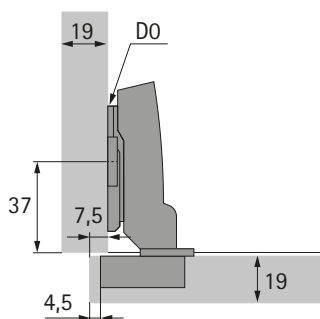
Sensys 8645i B12,5

A2



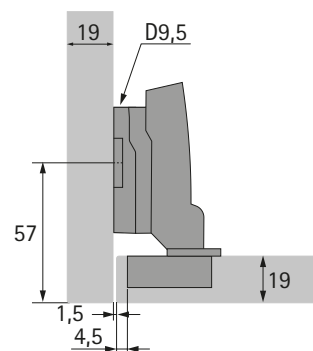
Sensys 8645i B12,5

A3



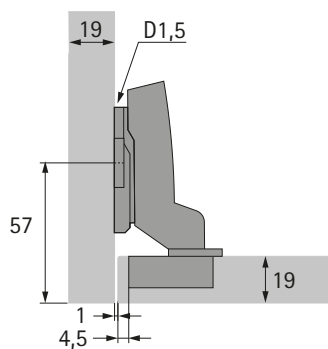
Sensys 8645i B3

A4



Sensys 8645i B3

A5

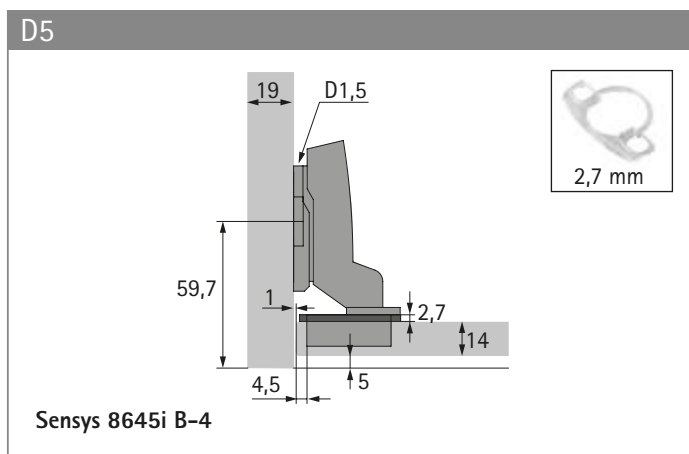
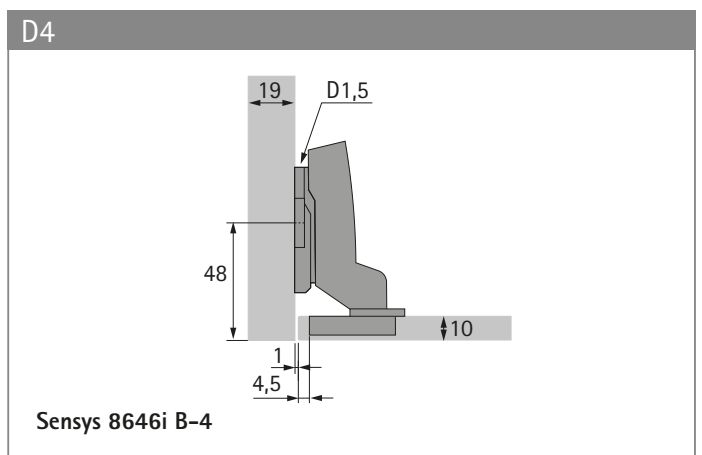
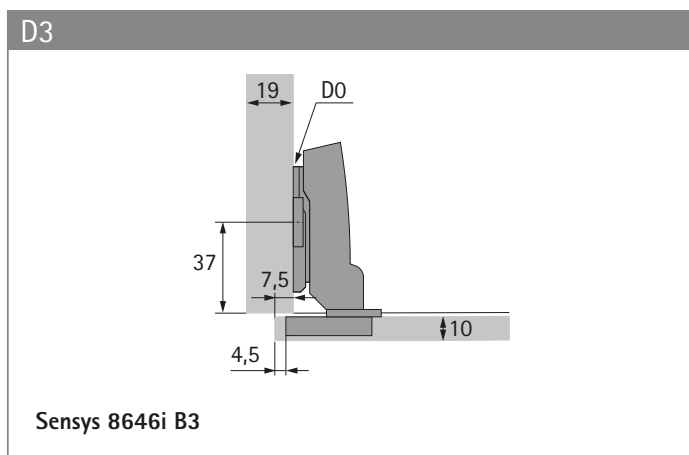
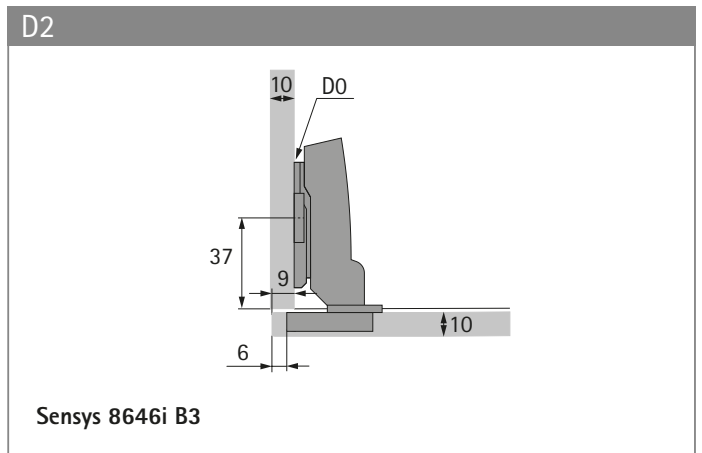
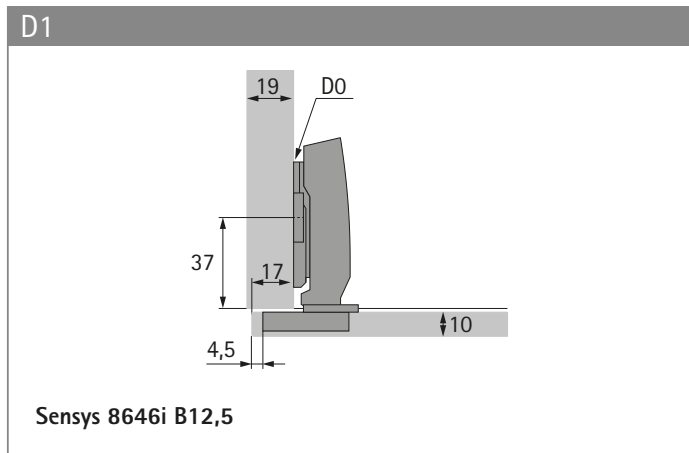


Sensys 8645i B-4



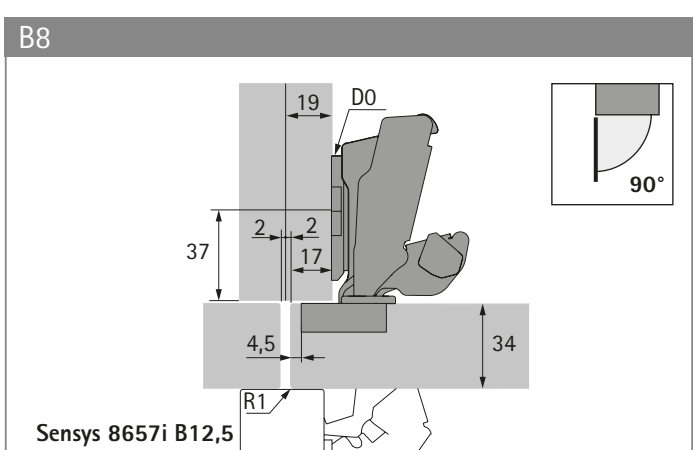
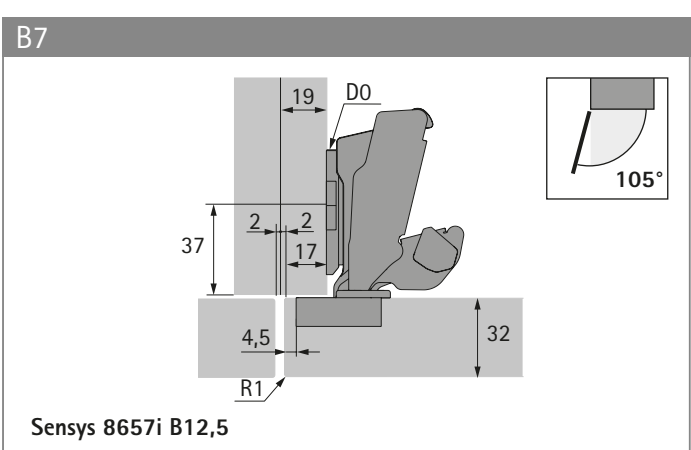
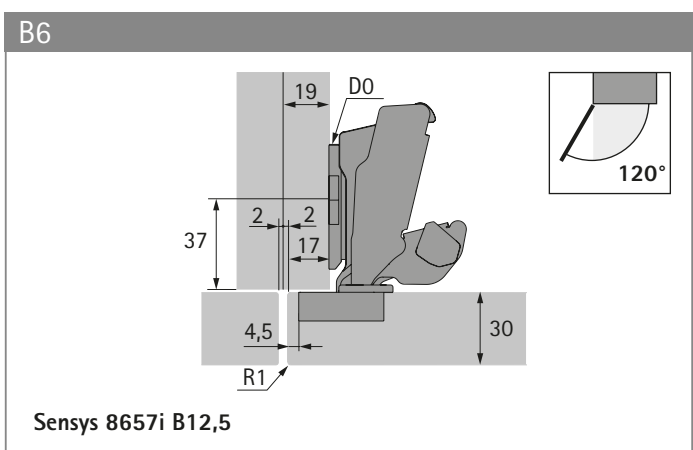
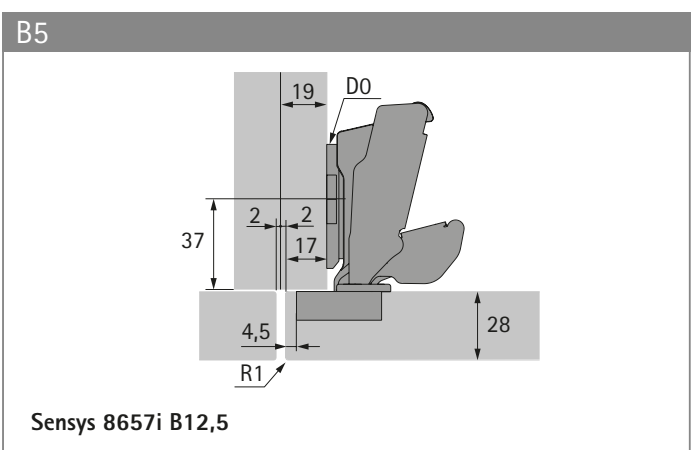
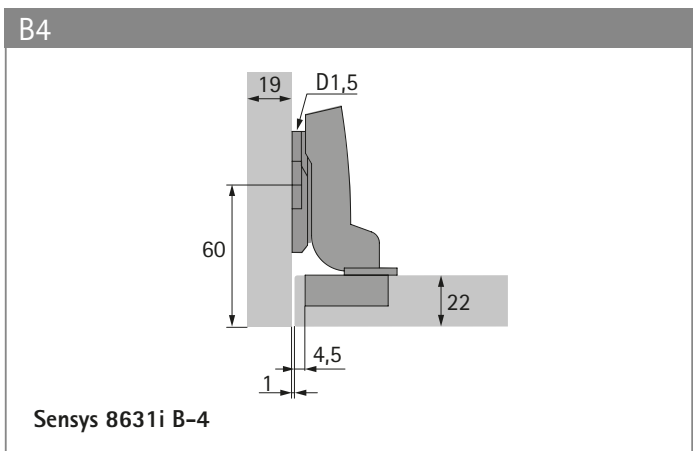
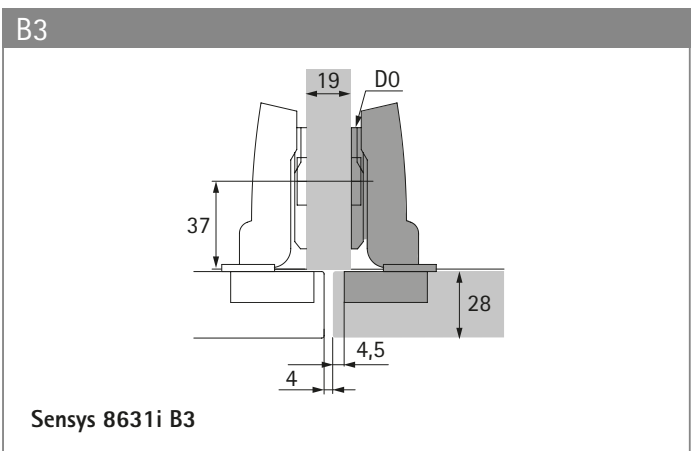
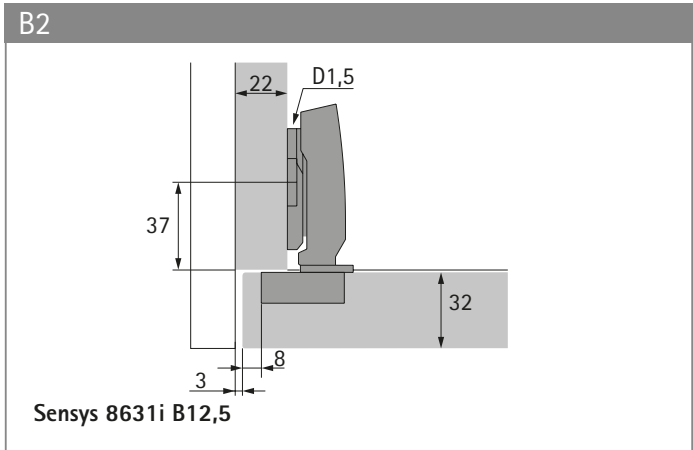
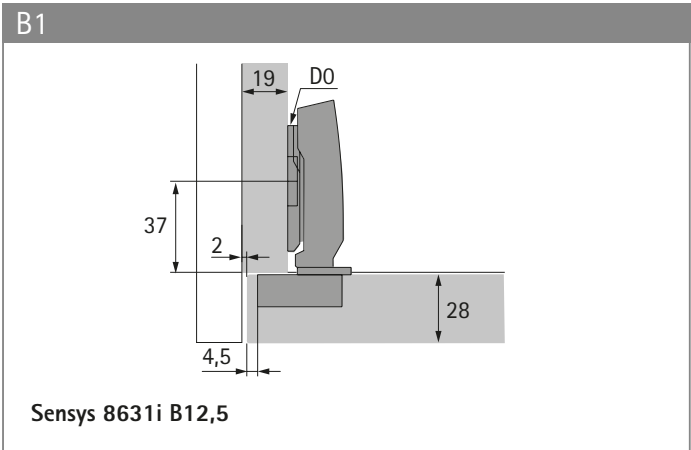
# Example applications

- ▶ Sensys
- ▶ Applications with thin doors



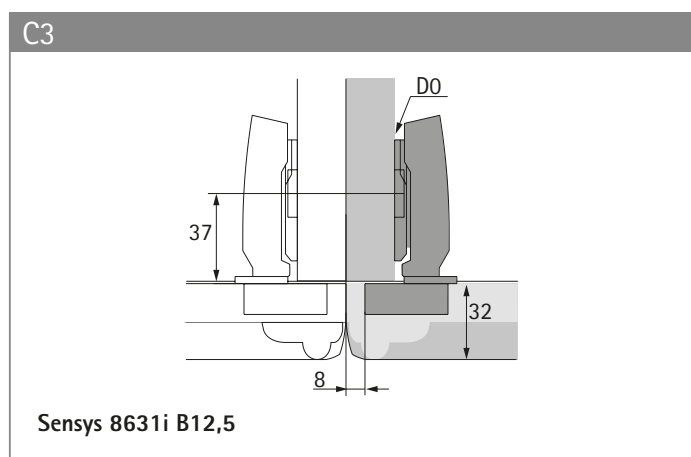
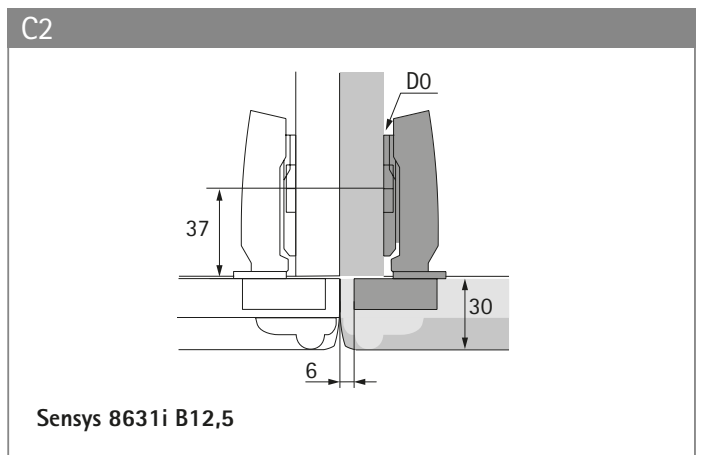
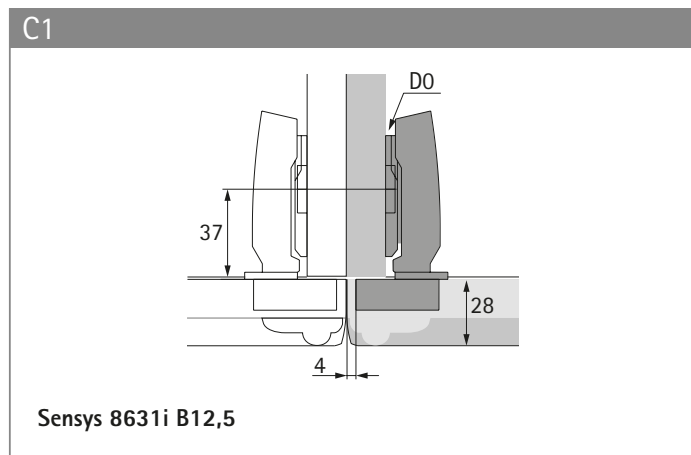
# Example applications

- ▶ Sensys
- ▶ Applications with thick doors



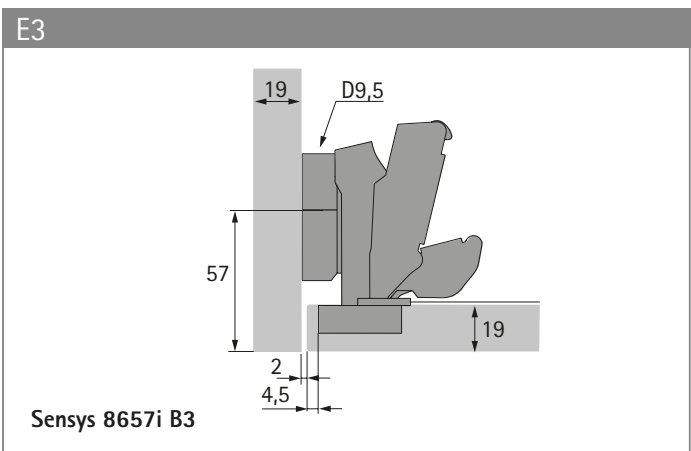
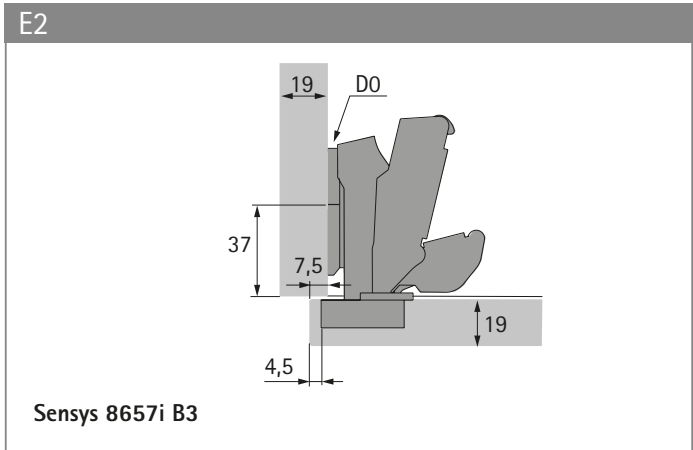
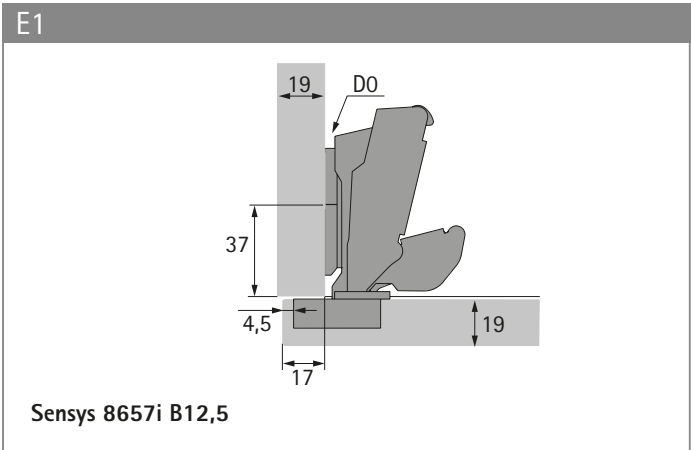
# Example applications

- ▶ Sensys
- ▶ Minimum reveal applications



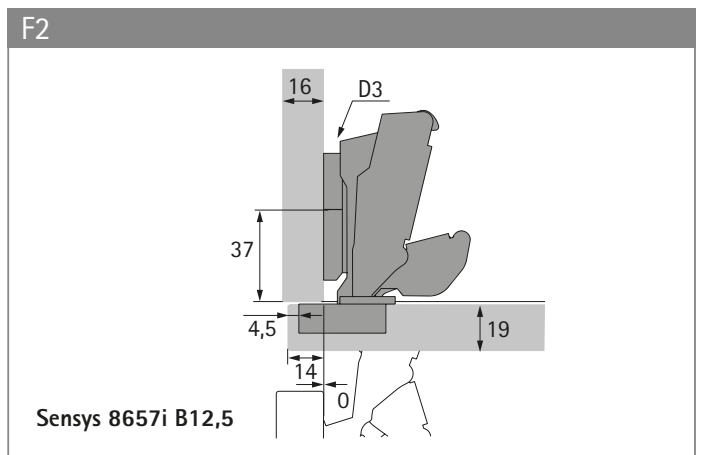
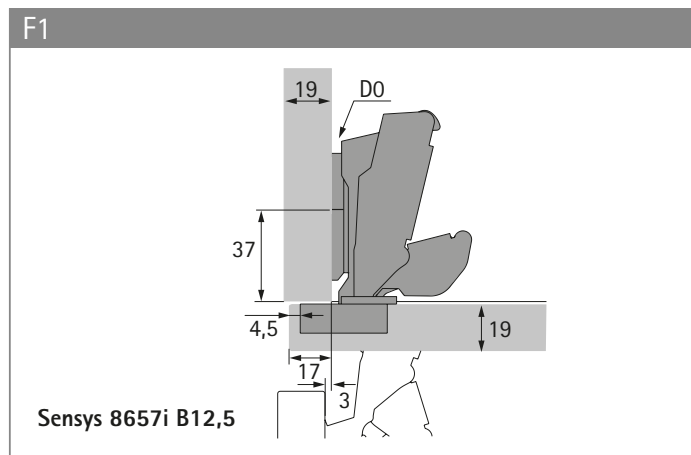
# Example applications

- ▶ Sensys
- ▶ Applications with wide opening angle up to 165°



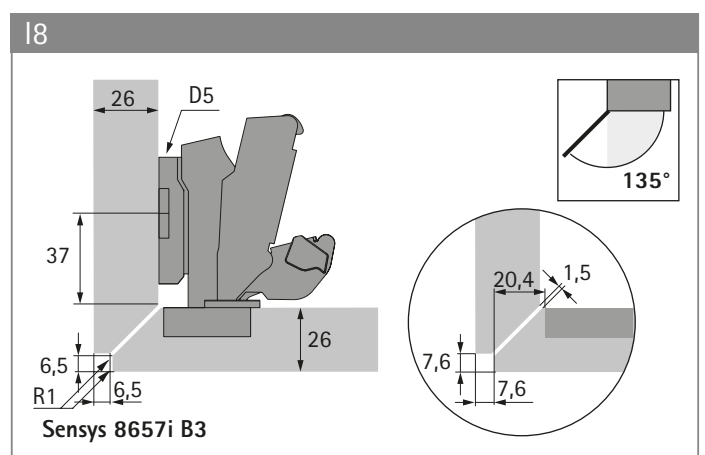
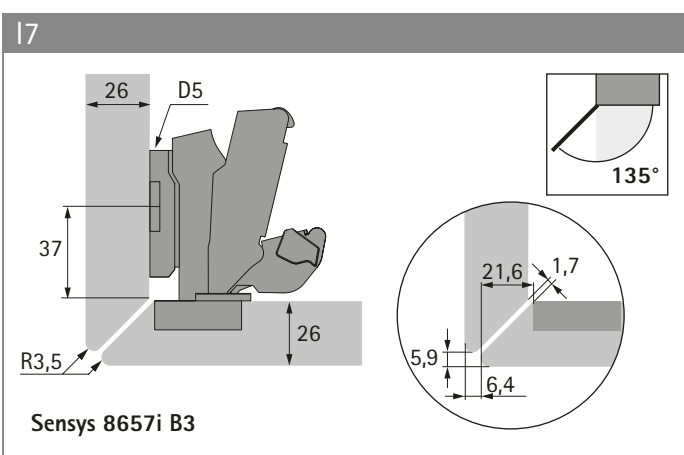
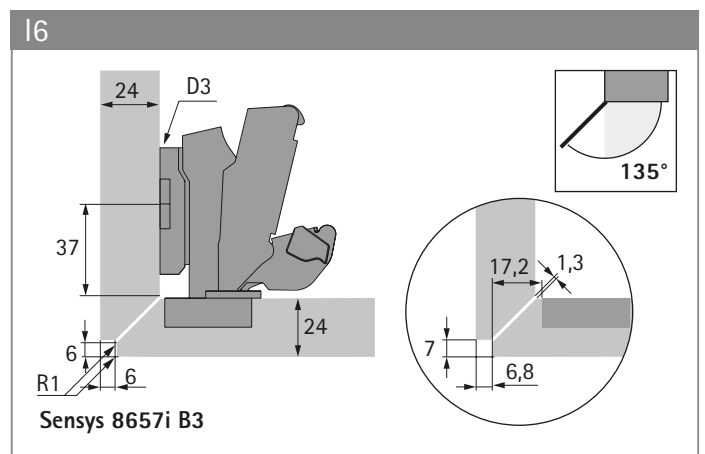
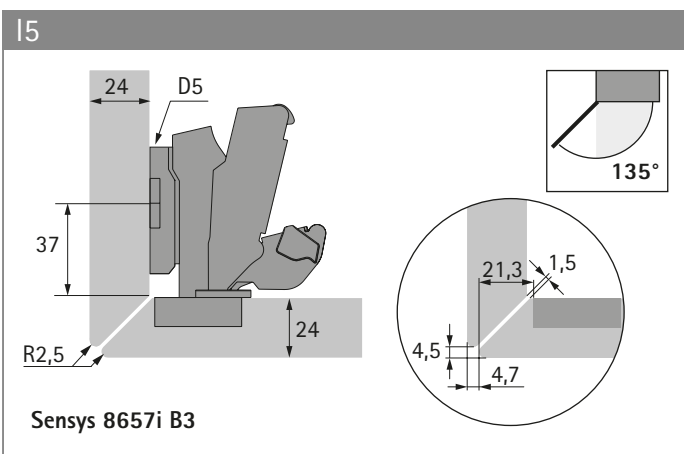
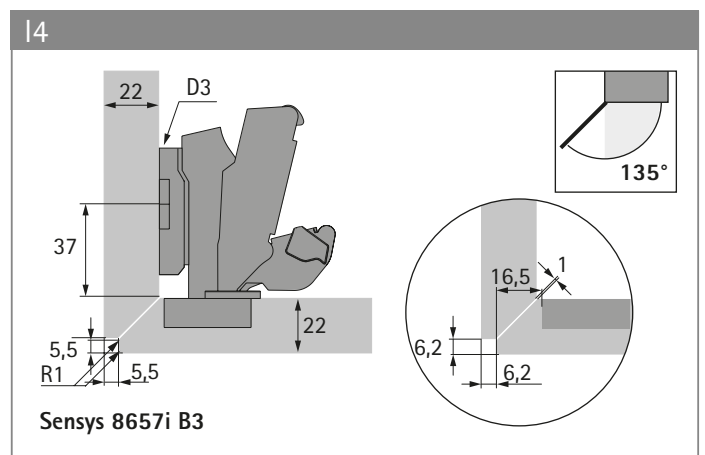
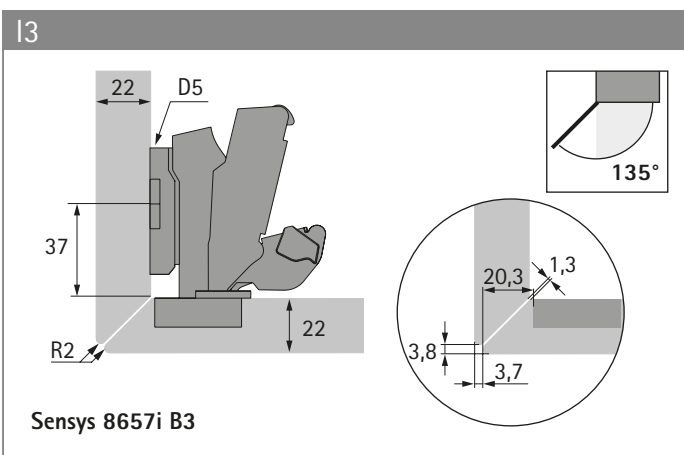
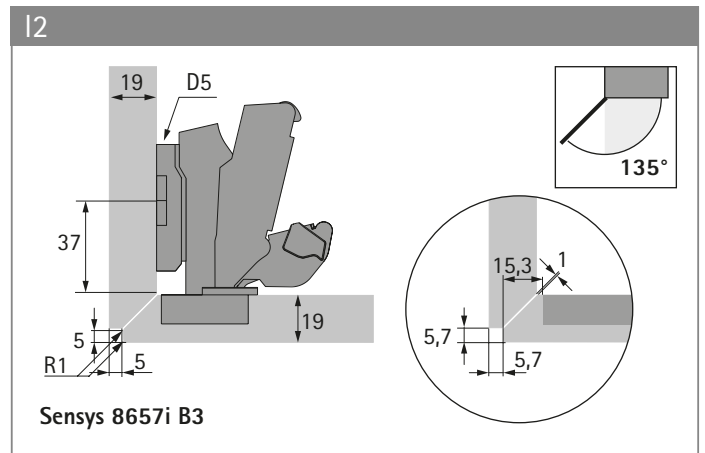
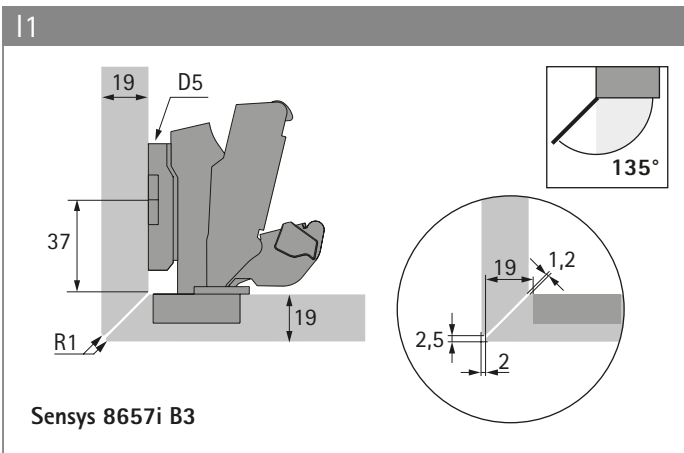
# Example applications

- ▶ Sensys
- ▶ Applications with zero protrusion (drawers behind hinged doors)



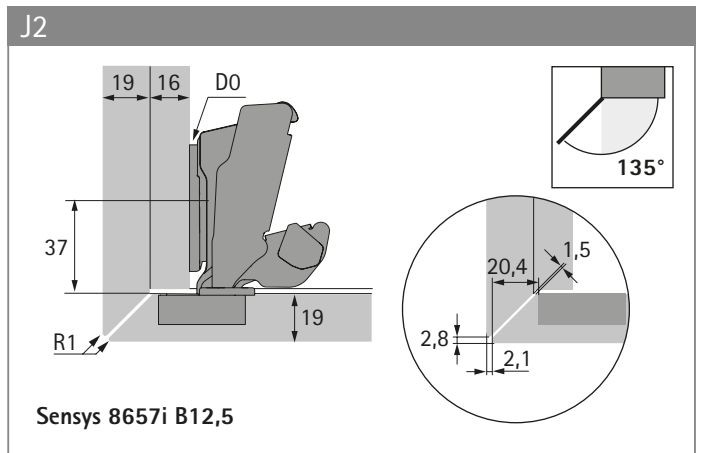
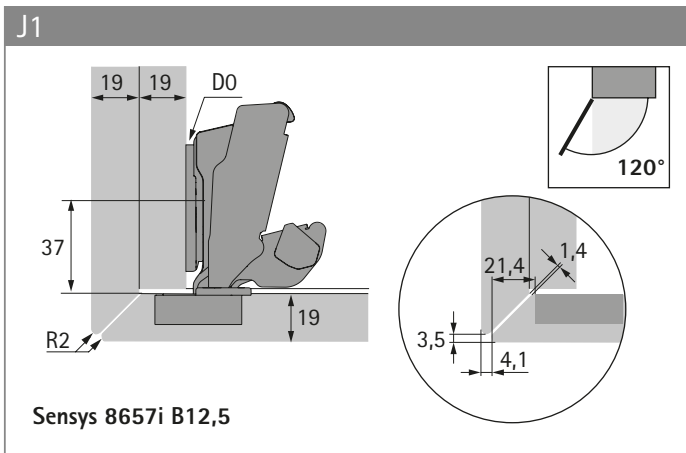
# Example applications

- ▶ Sensys
- ▶ Applications mitred all round



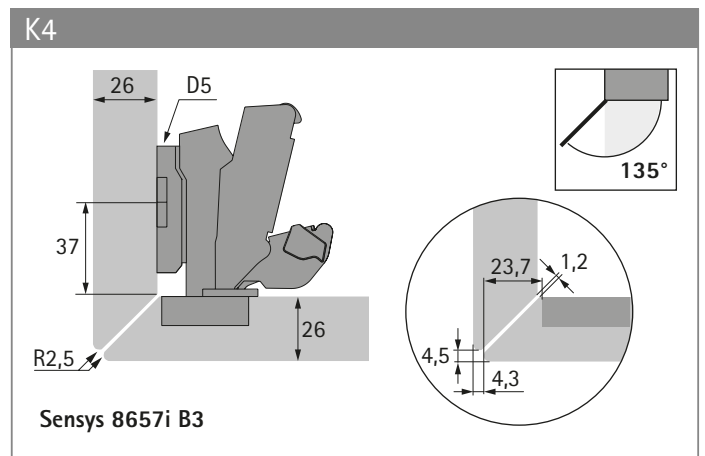
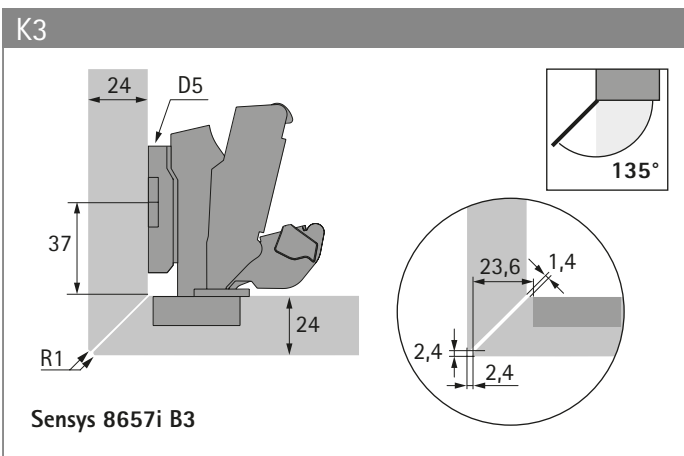
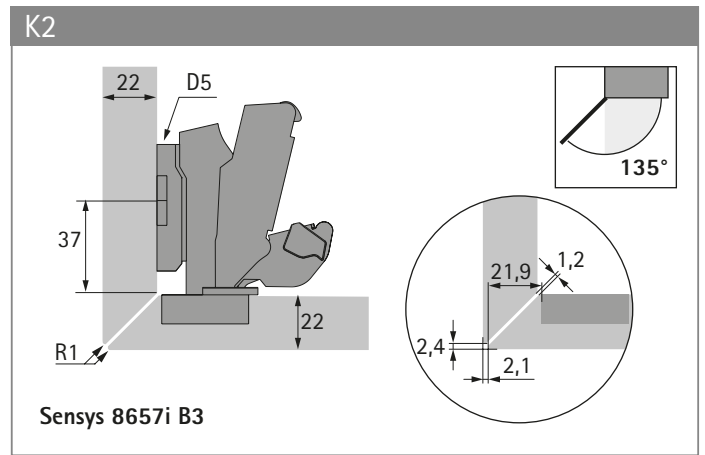
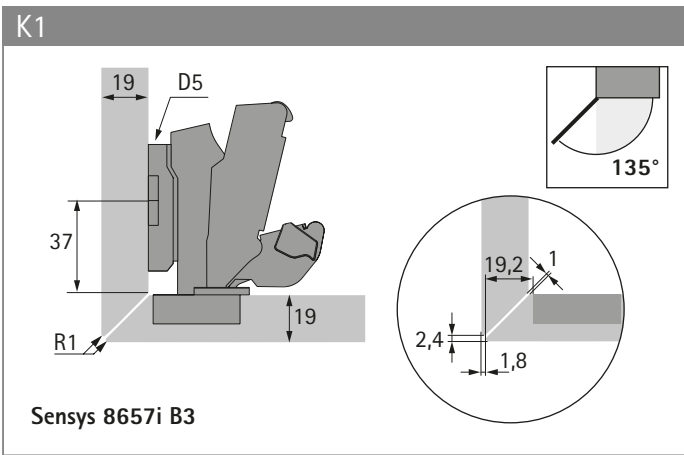
# Example applications

- ▶ Sensys
- ▶ Mitred all round with internal facing panel



# Example applications

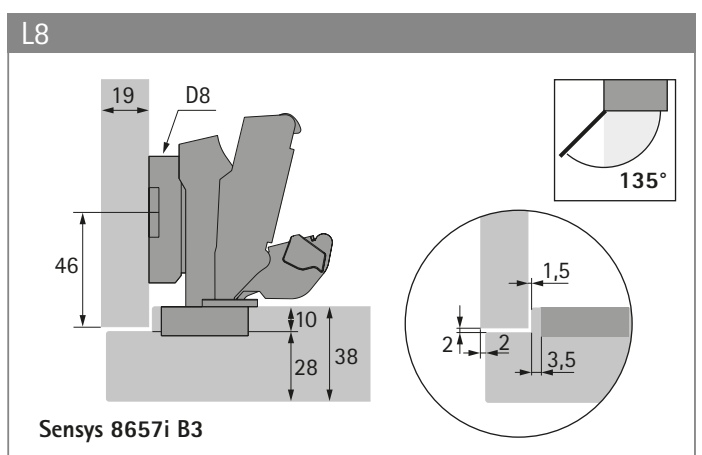
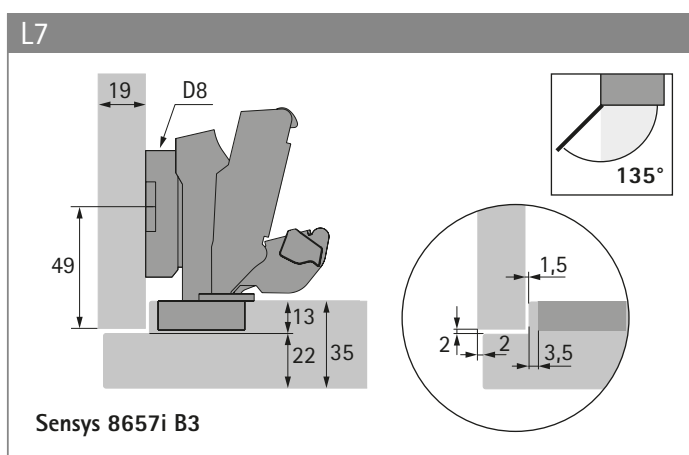
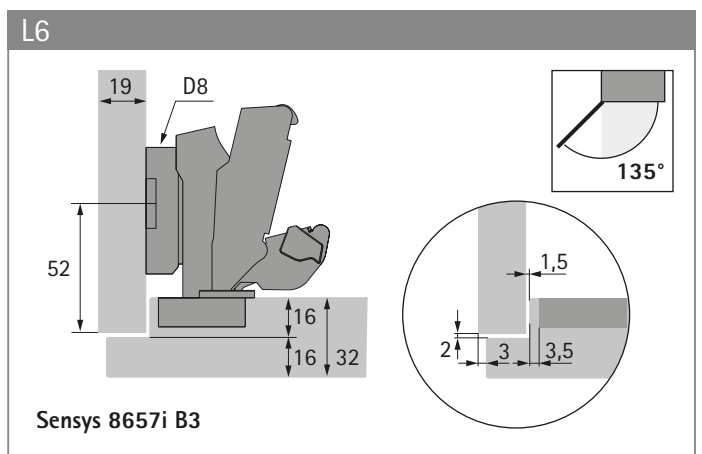
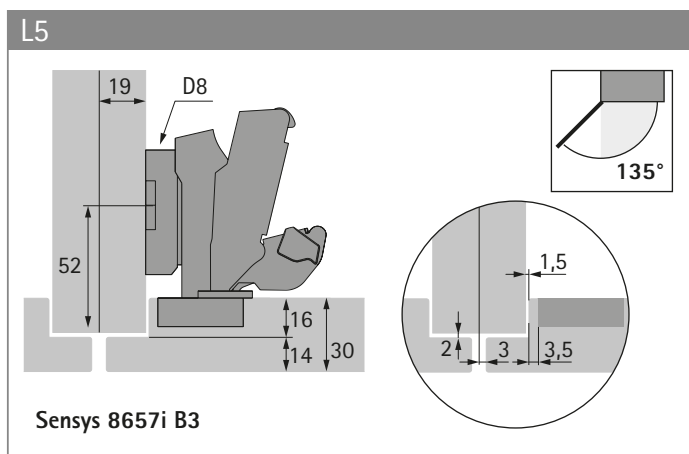
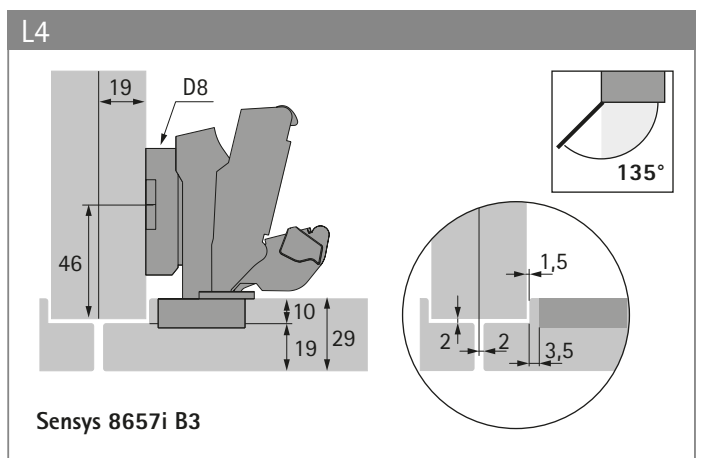
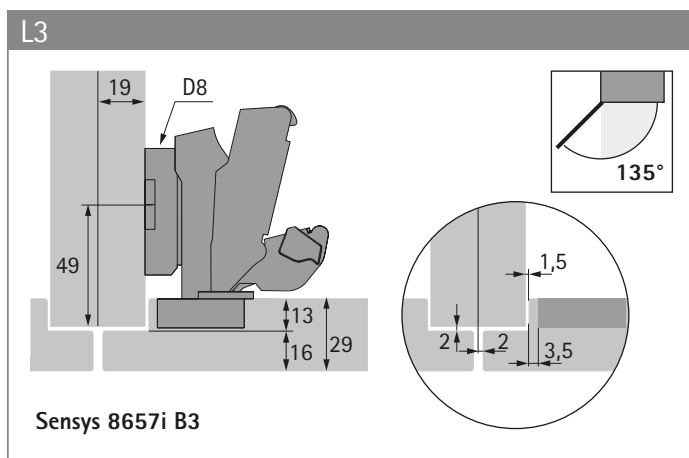
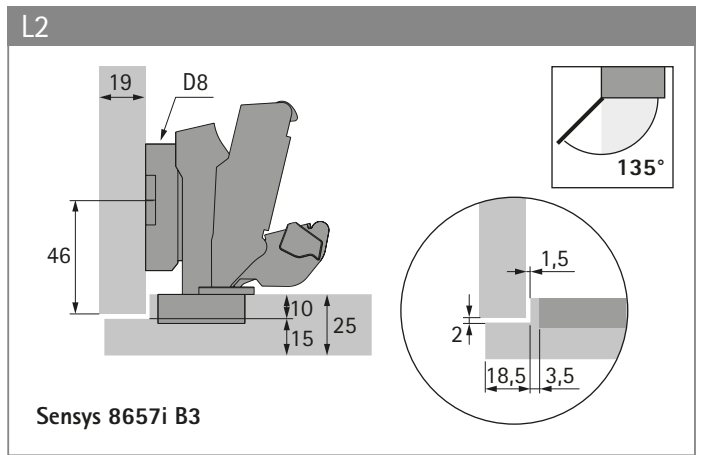
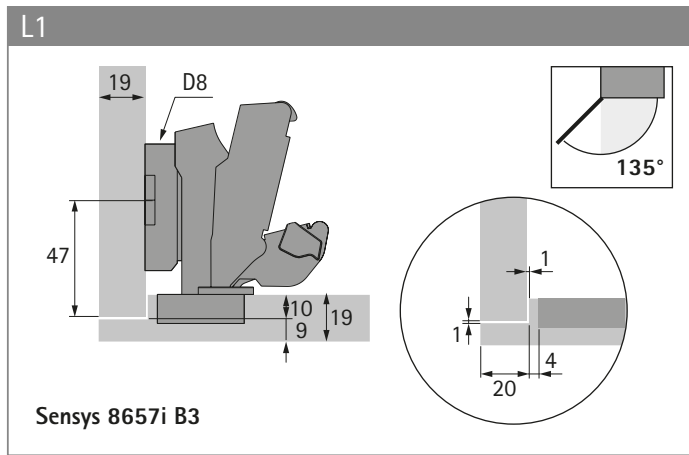
- ▶ Sensys
- ▶ Applications with side mitring





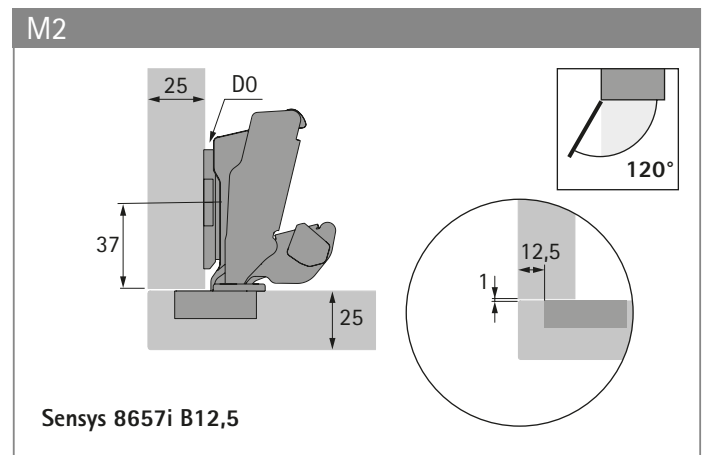
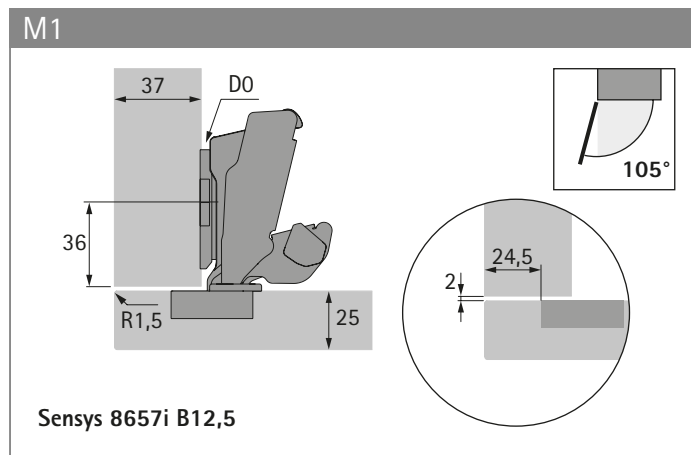
# Example applications

- ▶ Sensys
- ▶ Rebated doors



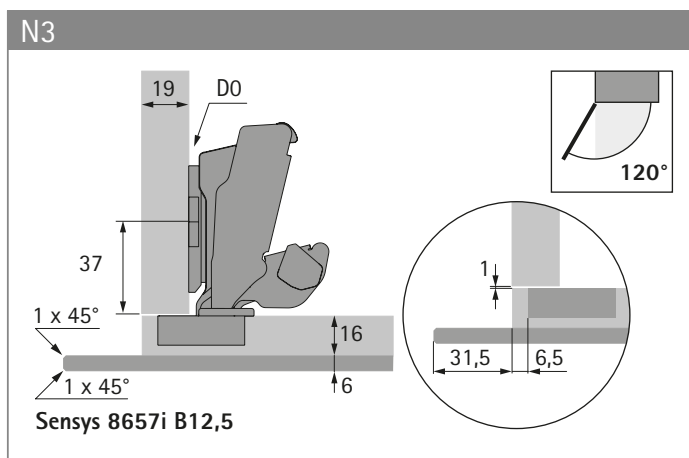
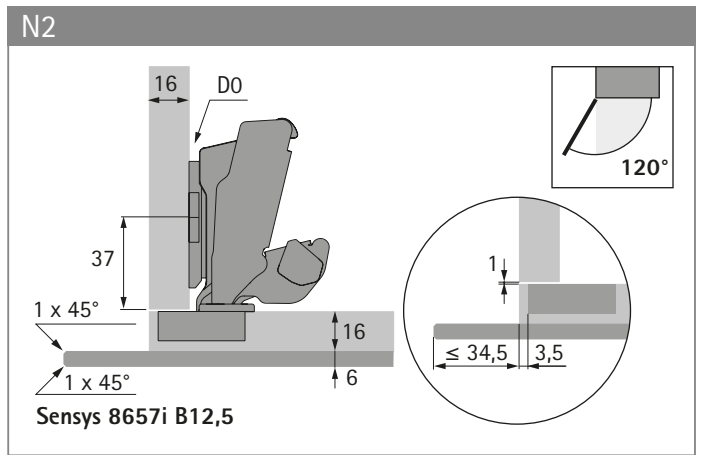
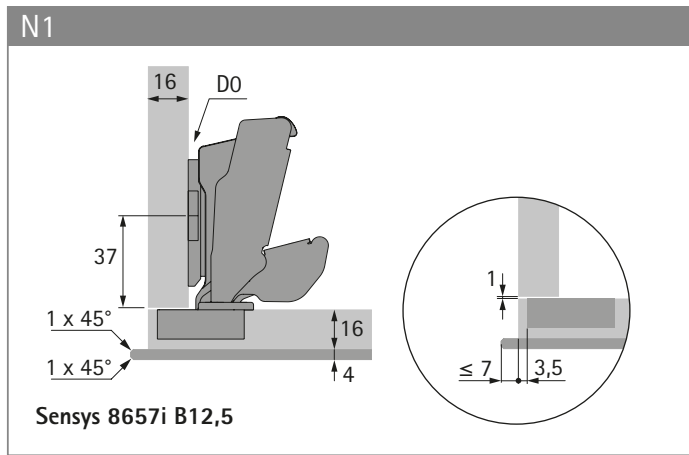
# Example applications

- ▶ Sensys
- ▶ Applications with large overlay



# Example applications

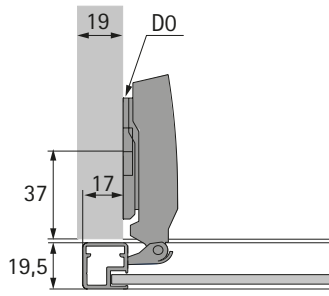
- ▶ Sensys
- ▶ Applications with protruding front



# Example applications

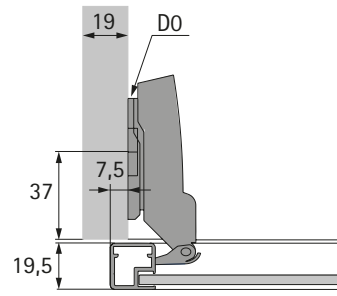
- ▶ Sensys
- ▶ Applications for aluminium framed doors

H1



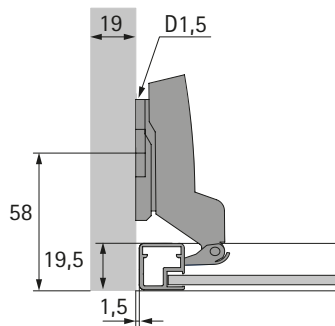
Sensys 8638i B12,5

H2



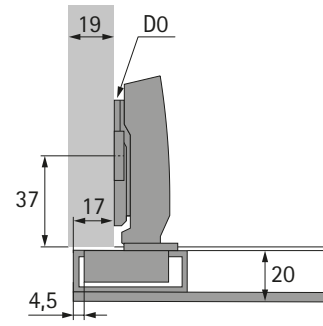
Sensys 8638i B3

H3



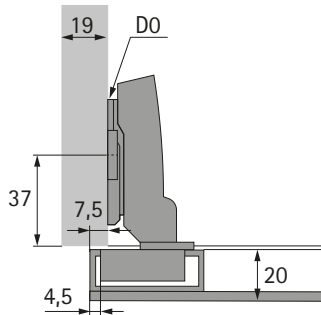
Sensys 8638i B-4

H4



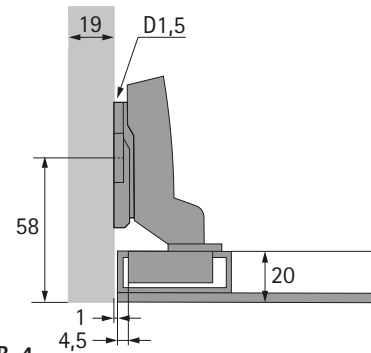
Sensys 8645i B12,5

H5



Sensys 8645i B3

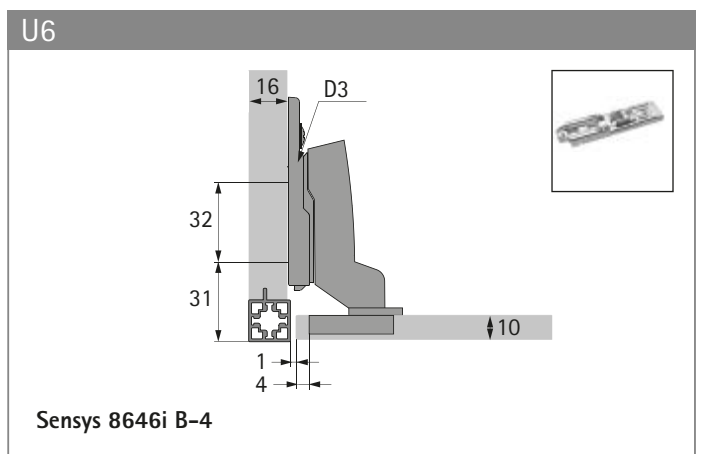
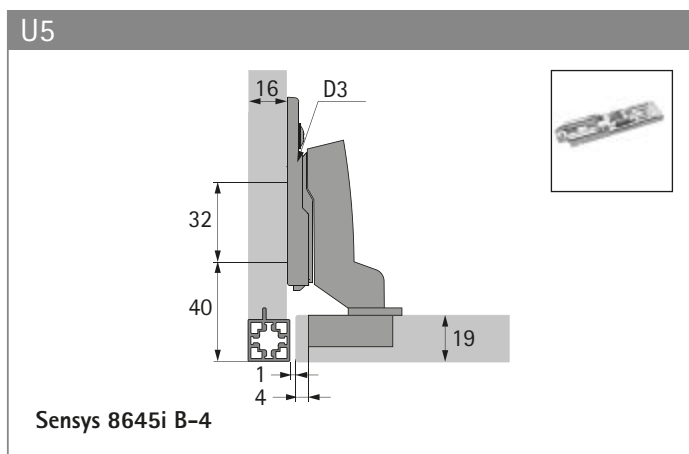
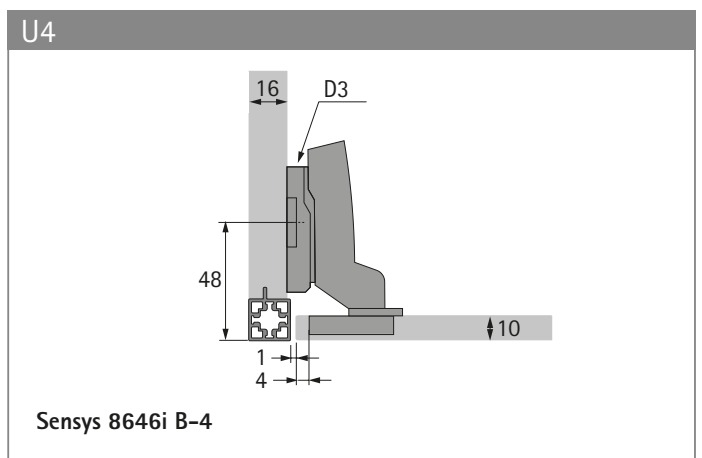
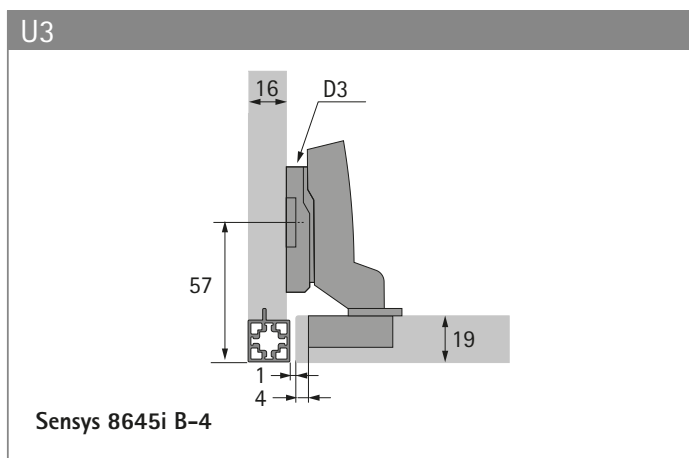
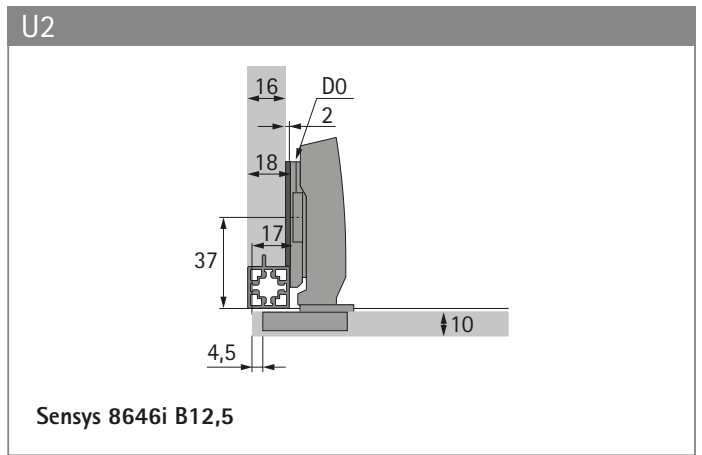
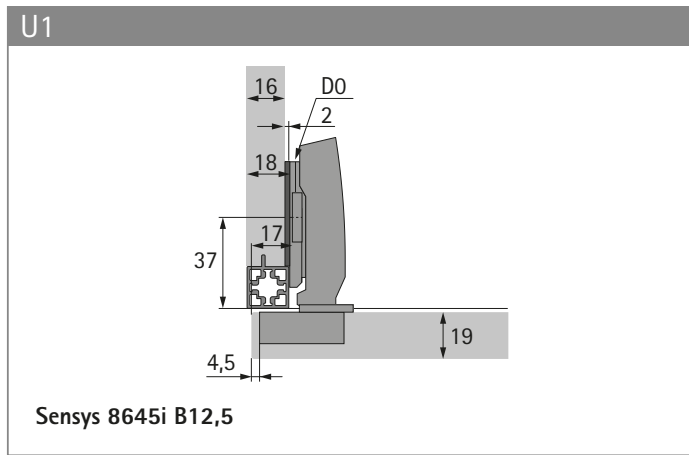
H6



Sensys 8645i B-4

# Example applications

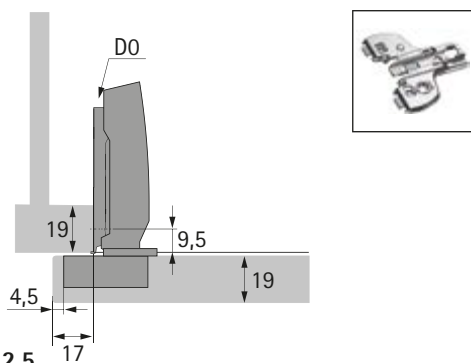
- ▶ Sensys
- ▶ Applications with Cadro frame system



# Example applications

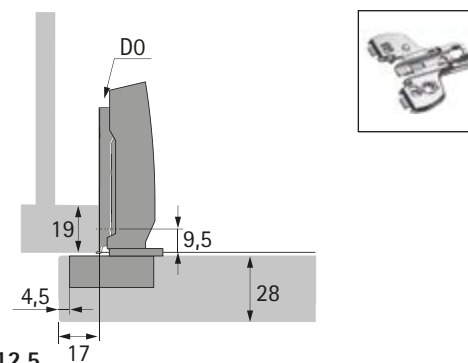
- ▶ Sensys
- ▶ Face frame applications

G1



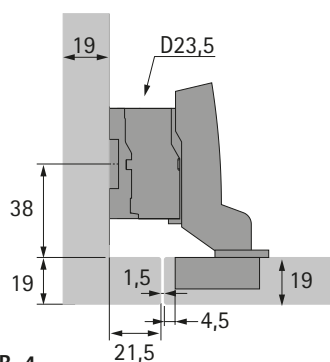
Sensys 8645i B12,5

G2



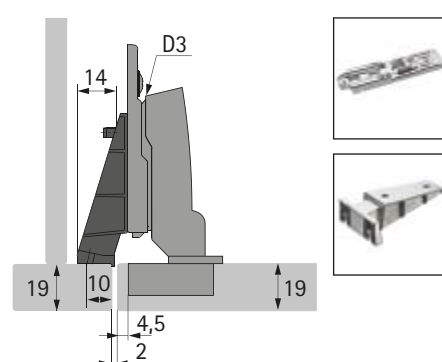
Sensys 8631i B12,5

G3



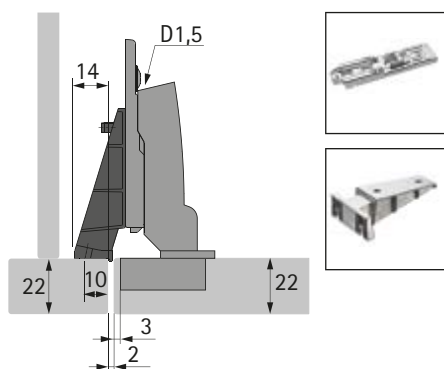
Sensys 8645i B-4

G4



Sensys 8645i B3

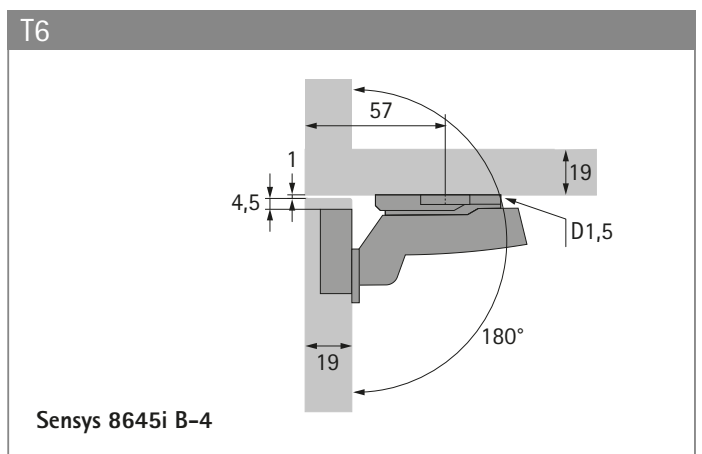
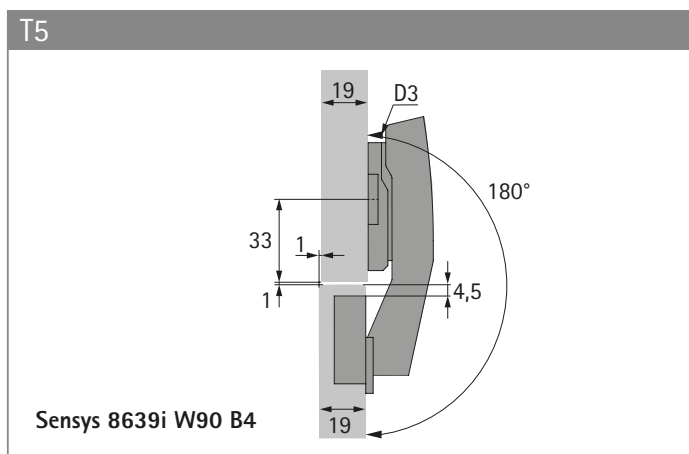
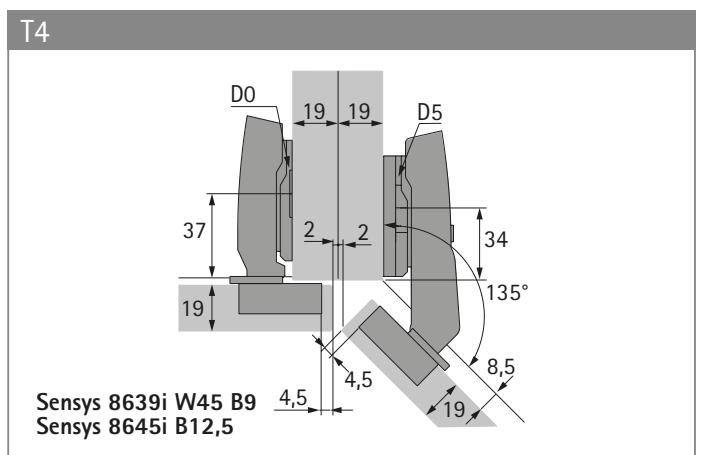
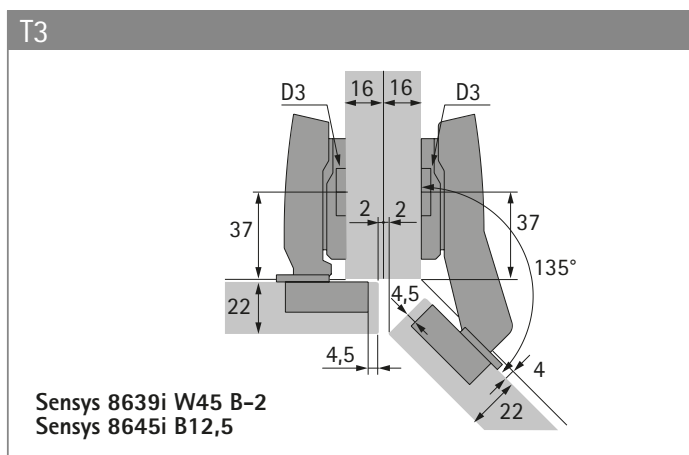
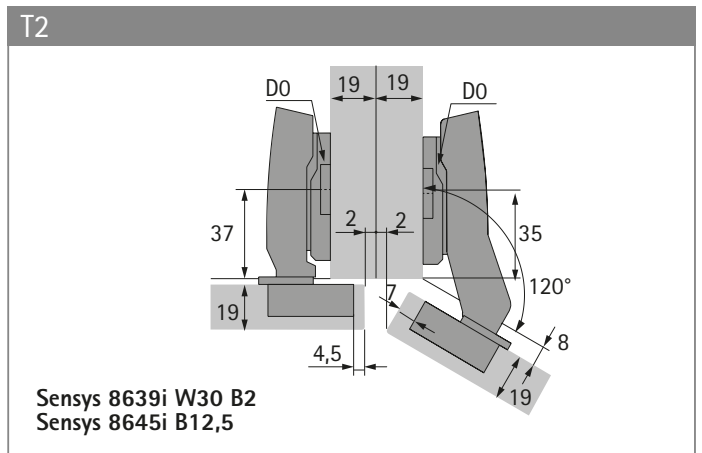
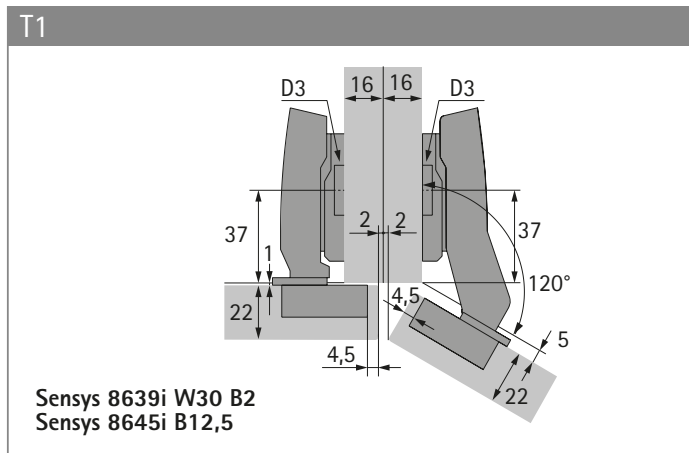
G5



Sensys 8631i B3

# Example applications

- ▶ Sensys
- ▶ Applications for corner cabinets



# Example applications

- ▶ Sensys
- ▶ Applications with cabinet body angle of less than 90°

**01**

Intermat 9944 W-45 B10

**02**

Intermat 9944 W-45 B10

**03**

Intermat 9944 W-45 B10

**04**

Intermat 9944 W-30 B12

**05**

Intermat 9944 W-30 B12

**06**

Intermat 9944 W-30 B12

**07**

Intermat 9944 W-30 B12

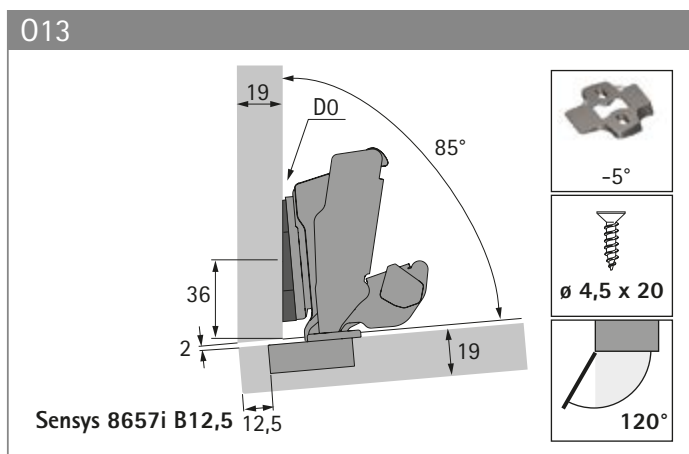
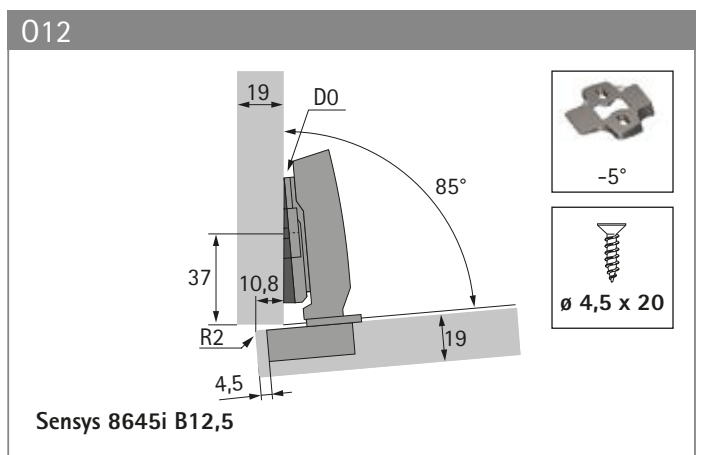
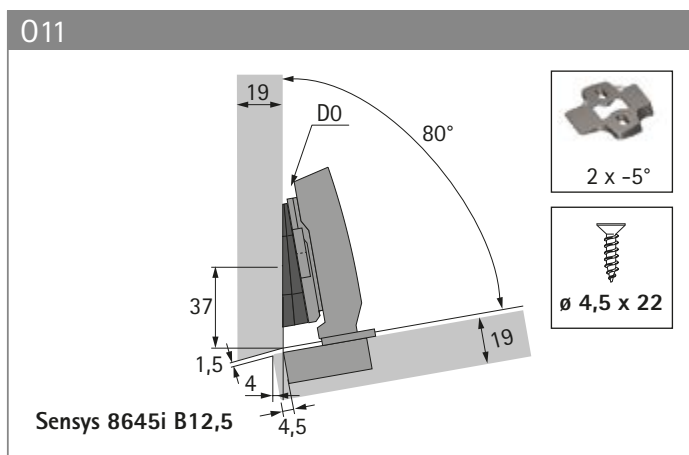
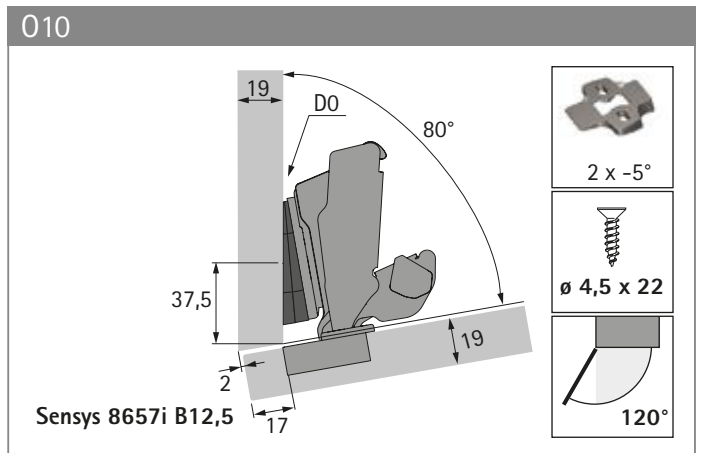
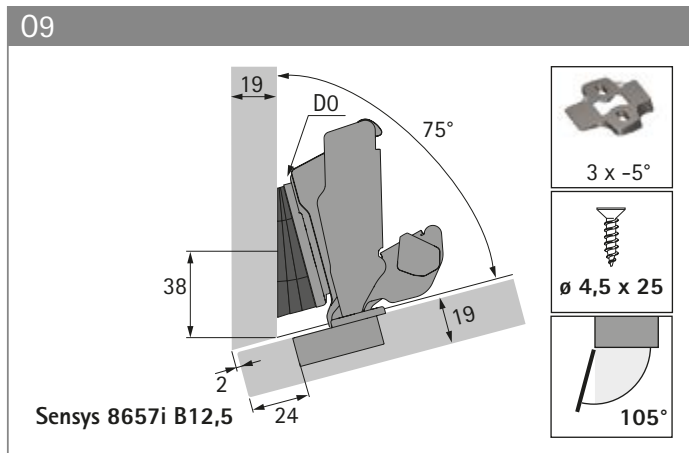
**08**

Sensys 8645i B12,5



# Example applications

- ▶ Sensys
- ▶ Applications with cabinet body angle of less than 90°



# Example applications

- ▶ Sensys
- ▶ Applications with cabinet body angle of 95° - 115°

**P1**

Sensys 8645i B12,5

**P2**

Sensys 8645i B12,5

**P3**

Sensys 8645i B3

**P4**

Sensys 8645i B12,5

**P5**

Sensys 8645i B3

**P6**

Sensys 8645i B12,5

**P7**

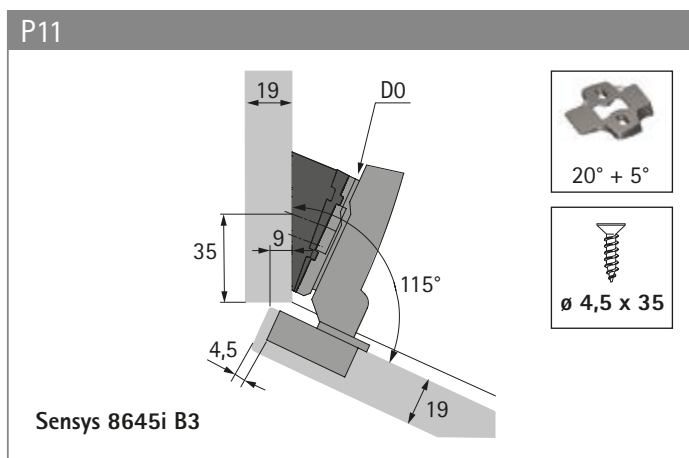
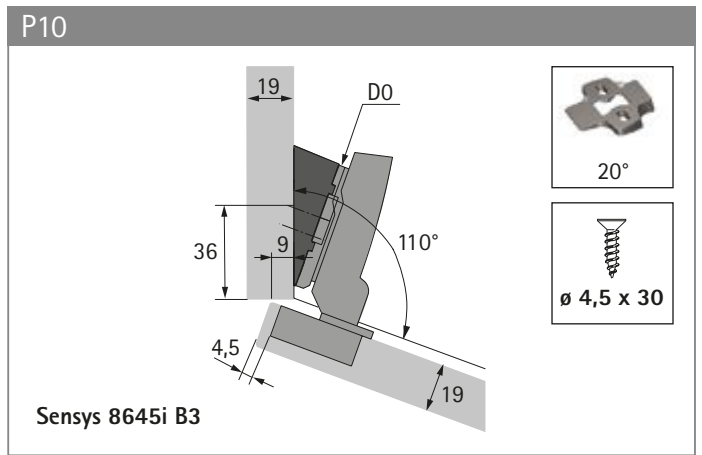
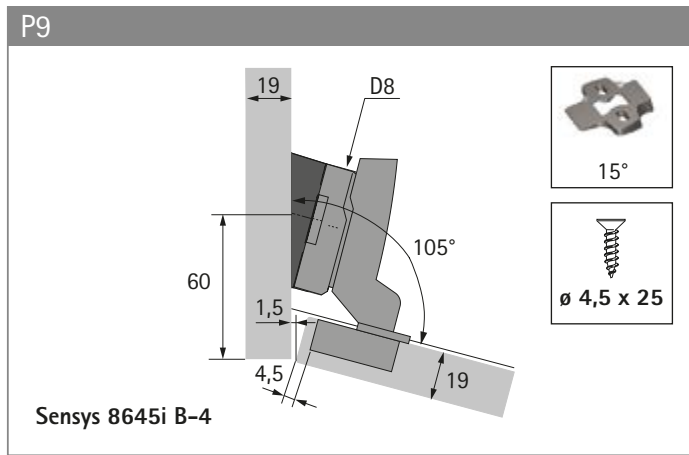
Sensys 8645i B12,5

**P8**

Sensys 8645i B3

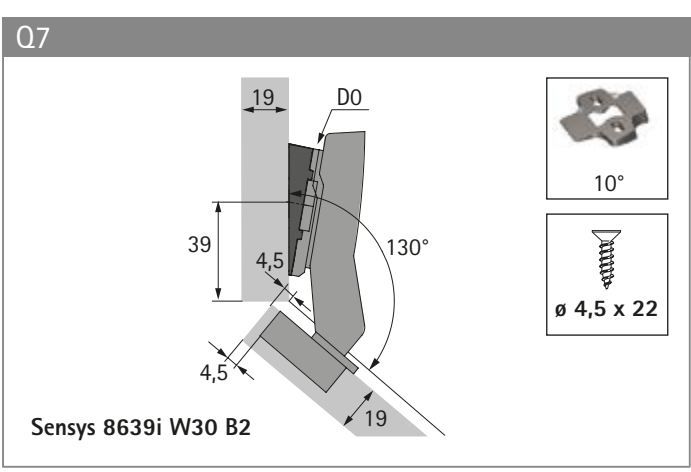
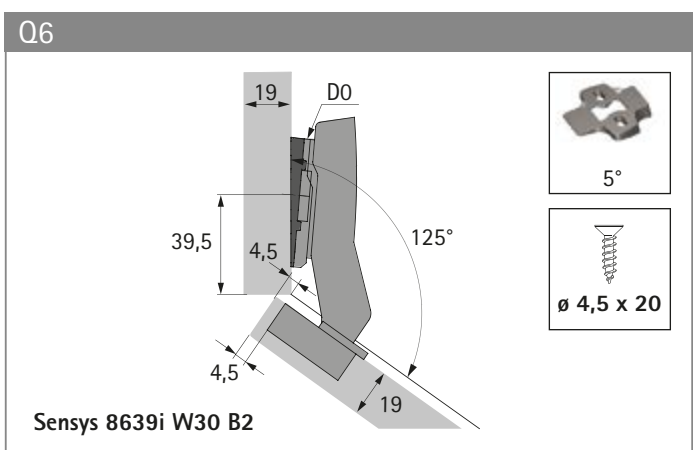
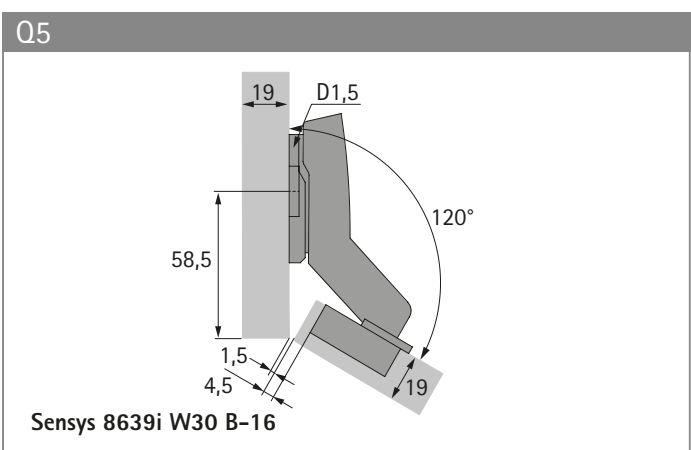
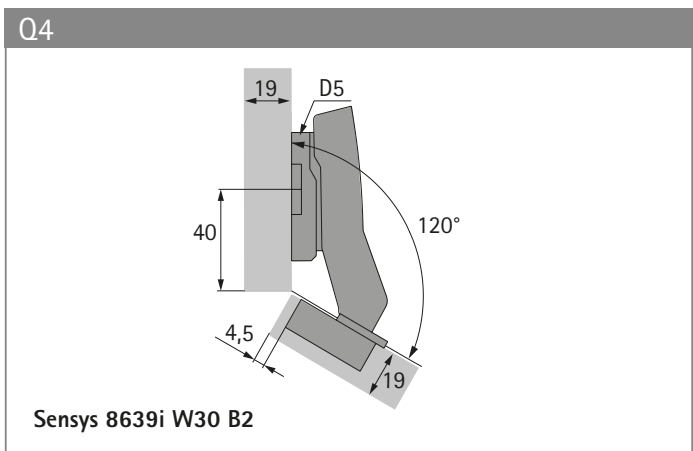
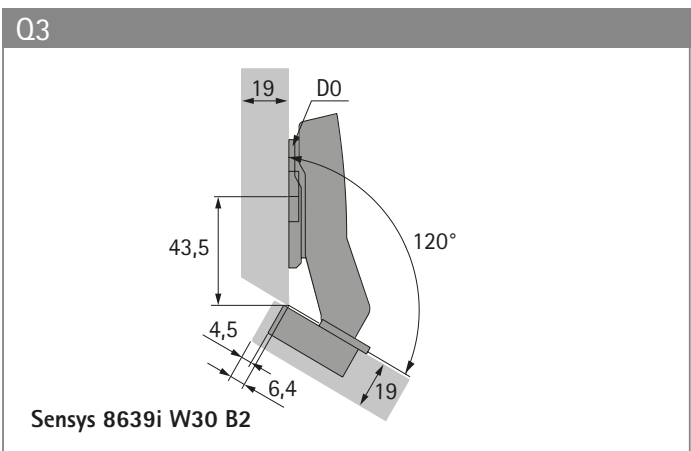
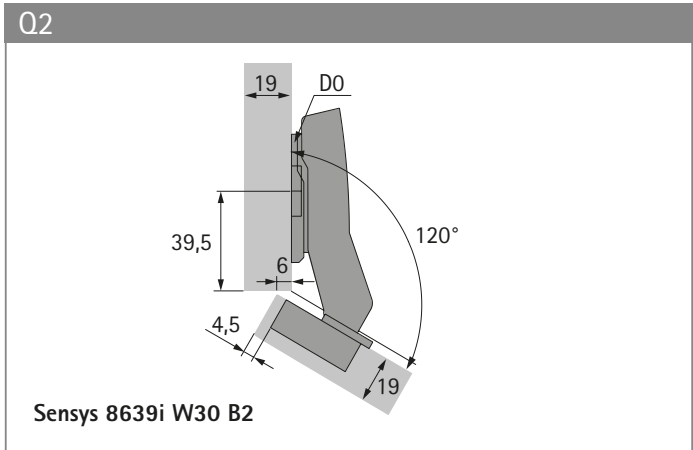
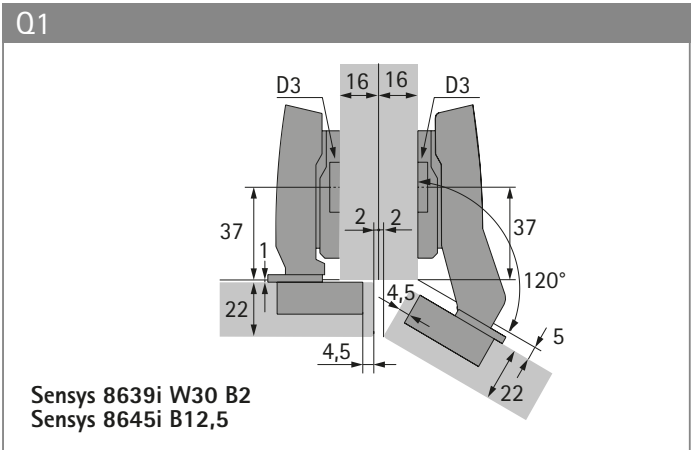
# Example applications

- ▶ Sensys
- ▶ Applications with cabinet body angle of 95° - 115°



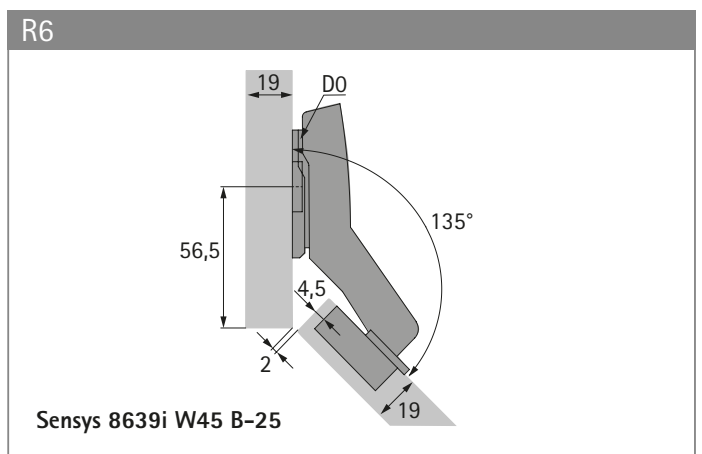
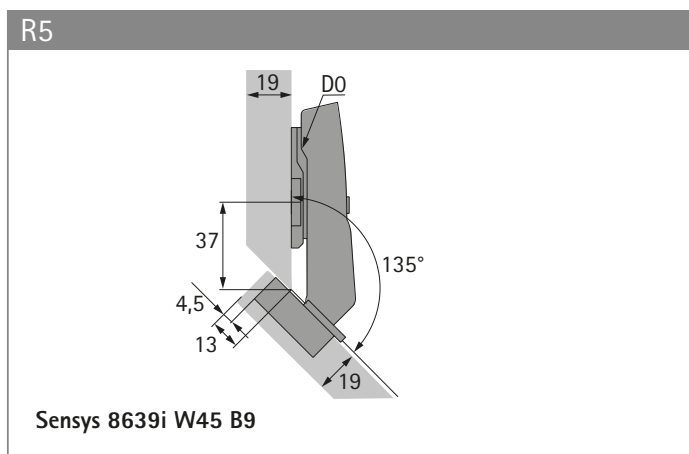
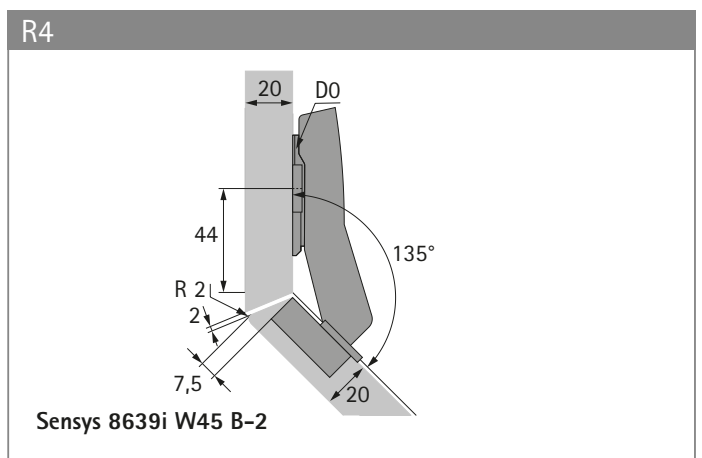
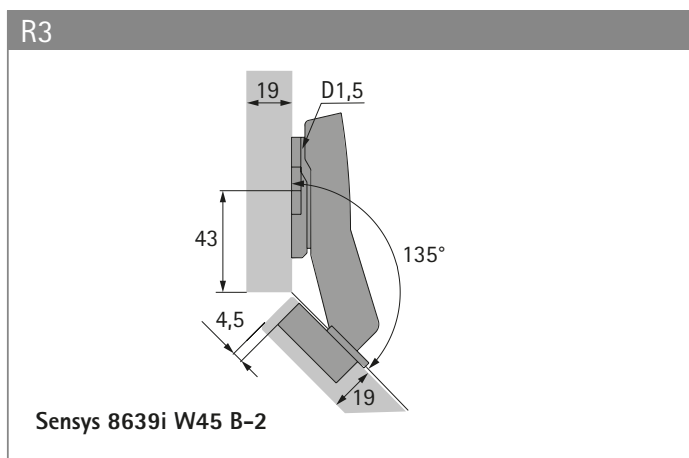
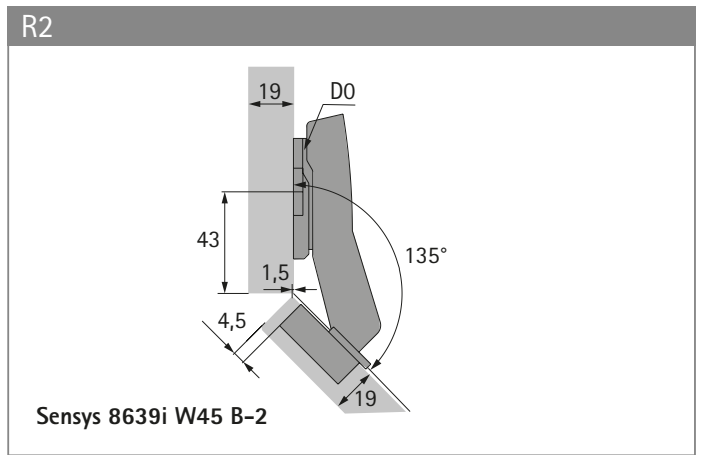
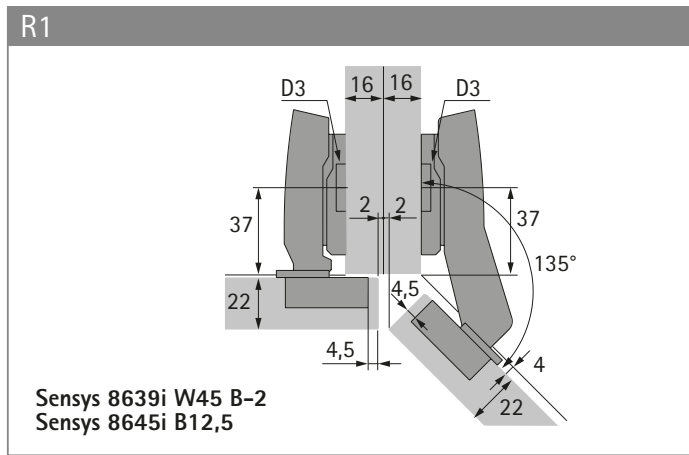
# Example applications

- ▶ Sensys
- ▶ Applications with cabinet body angle of 120 - 130°



# Example applications

- ▶ Sensys
- ▶ Applications with cabinet body angle of 135°



# Example applications

- ▶ Sensys
- ▶ Applications with cabinet body angle of greater than 135°

**S1**

19, 43, 2, 4,5, 19, 140°

5°

ø 4,5 x 20

Sensys 8639i W45 B-2

**S2**

19, 43,5, 3, 4,5, 19, 145°

10°

ø 4,5 x 22

Sensys 8639i W45 B-2

**S3**

19, 43,5, 4,5, 4,5, 19, 150°

15°

ø 4,5 x 25

Sensys 8639i W45 B-2

**S4**

19, 43,5, 6, 4,5, 19, 155°

20°

ø 4,5 x 30

Sensys 8639i W45 B-2

**S5**

19, 43,5, 6, 4,5, 19, 160°

20° + 5°

ø 4,5 x 35

Sensys 8639i W45 B-2

**S6**

19, 33, 1, 1, 4,5, 19, 180°

D3

Sensys 8639i W90 B4

**S7**

19, 29,5, 4,5, 1,2, 19, 195°

D3

15°

ø 4,5 x 25

Sensys 8639i W90 B4



Let's move markets!

