

Fast assembly for all applications:
Sensys and Intermat hinge systems



Technik für Möbel


Hettich

Beautiful. And beautifully quiet: Sensys



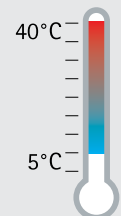
Sensys opens the door to new markets for you

Sensys hinges from Hettich are the heart of good doors. Unbeatable solutions for any furniture range with clever mounting and adjustment options. The integrated soft-closing function provides even greater convenience in closing hinged doors.

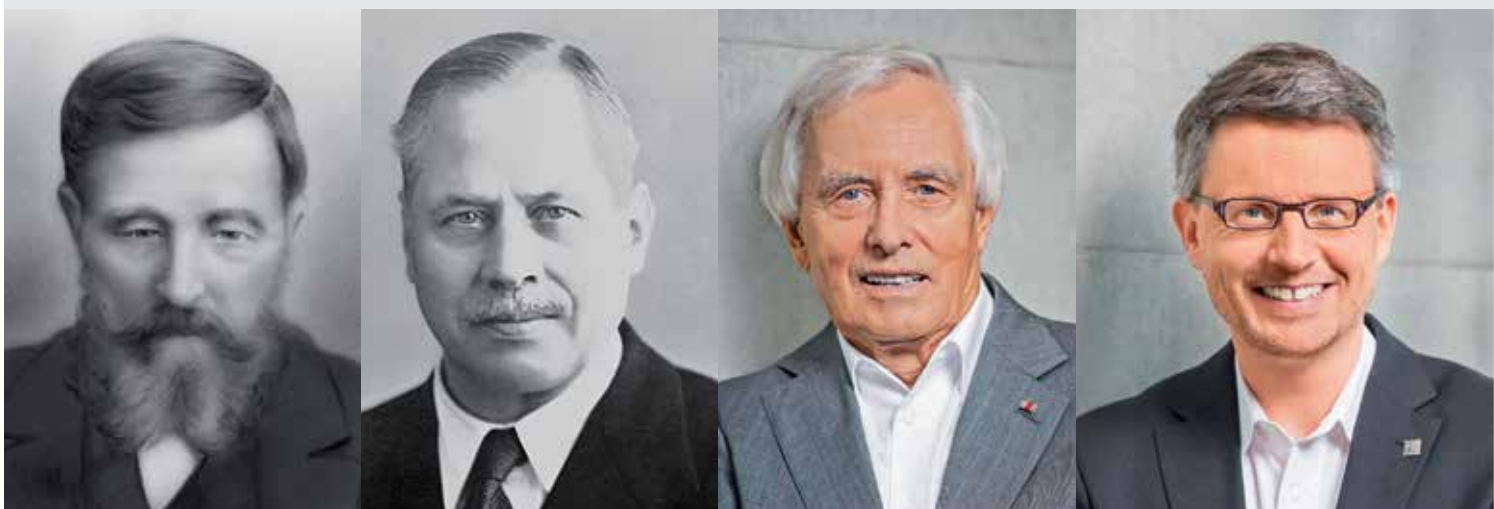


Four good reasons for Sensys

- 1. Excellent Silent System performances:**
Its outstanding performance saves a hinge on many larger type doors.
- 2. Whether in cool rooms or at high ambient temperature:**
The integrated Silent System never fails.
- 3. Closes almost on its own:**
The wide automatic closing angle of 35° lets doors close gently and reliably.
- 4. Put the final touch to your furniture design:**
Award winning Sensys design perfectly complements furniture.



Hettich - a family owned company



Outstanding engineering achievements. Entrepreneurial courage. And a reliable instinct for the needs of the market. These are the cornerstones of Hettich's success – the same ones we've been building on for over 125 years. Back in 1888 Karl Hettich designed a machine that revolutionised the production of anchor escapements for Black Forest cuckoo clocks. In 1928, August Hettich turned towards the furniture industry with an innovative production line for piano hinges.

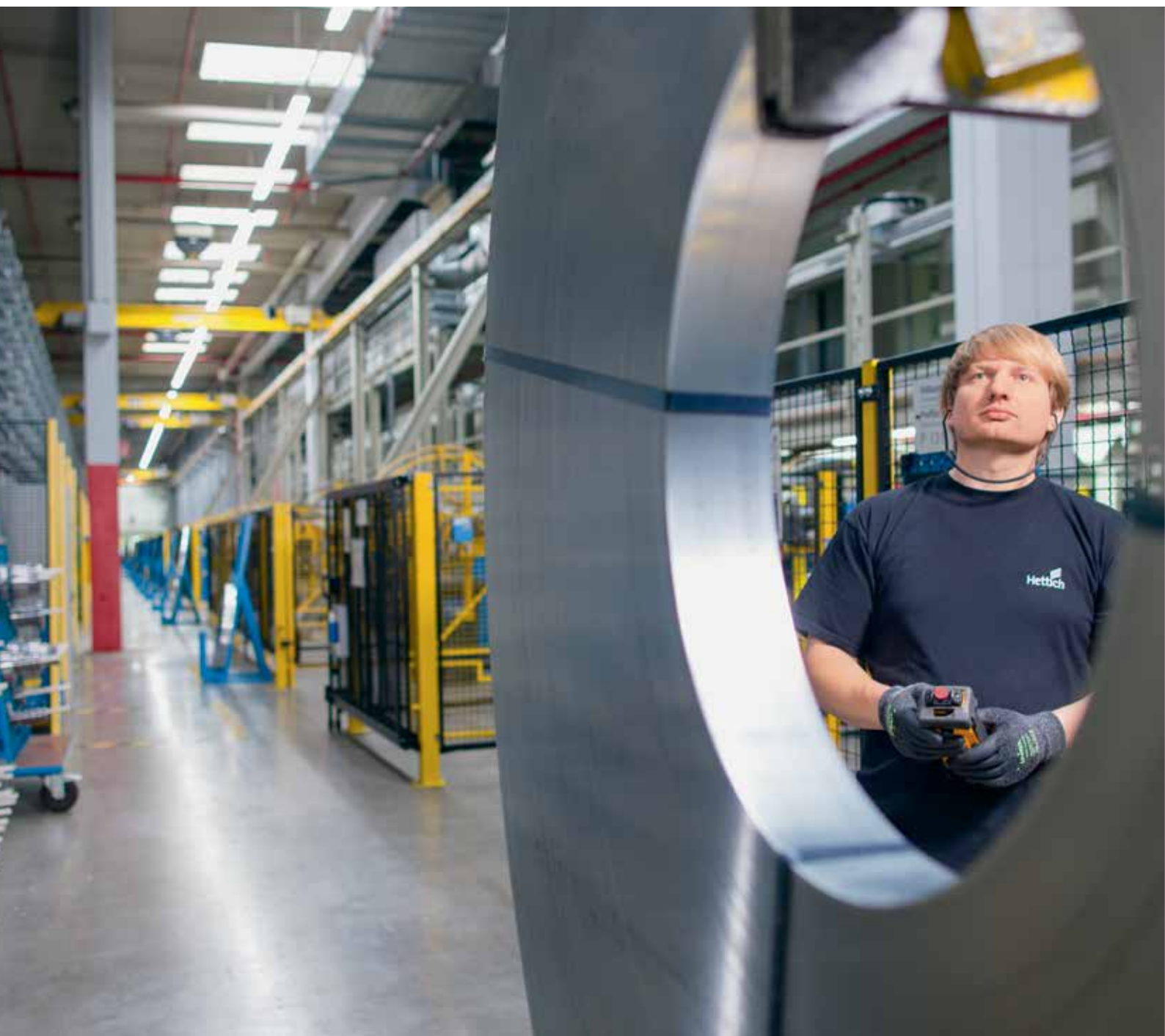
Encouraged by further achievements, brothers Paul, August and Franz Hettich set up a new company at Herford in 1930. Kirchleugern became headquarters in 1966. The Hettich Group is entirely family owned.



Hettich has been operating in Australia with fully owned subsidiaries since 1988. The custom-designed Hettich Australia head office and warehouse, in Smithfield Sydney, was opened in September 2002. The facility incorporates a 7000m square national warehouse, a training centre and showroom. In addition we have State showrooms throughout Australia.

Hettich Australia and our network of distribution partners have contributed to the Cabinet Industry for more than 30 years. We believe in supporting the local organisations, groups and commercial bodies that represent the interests of the Australian cabinet industry.

Finest quality workmanship



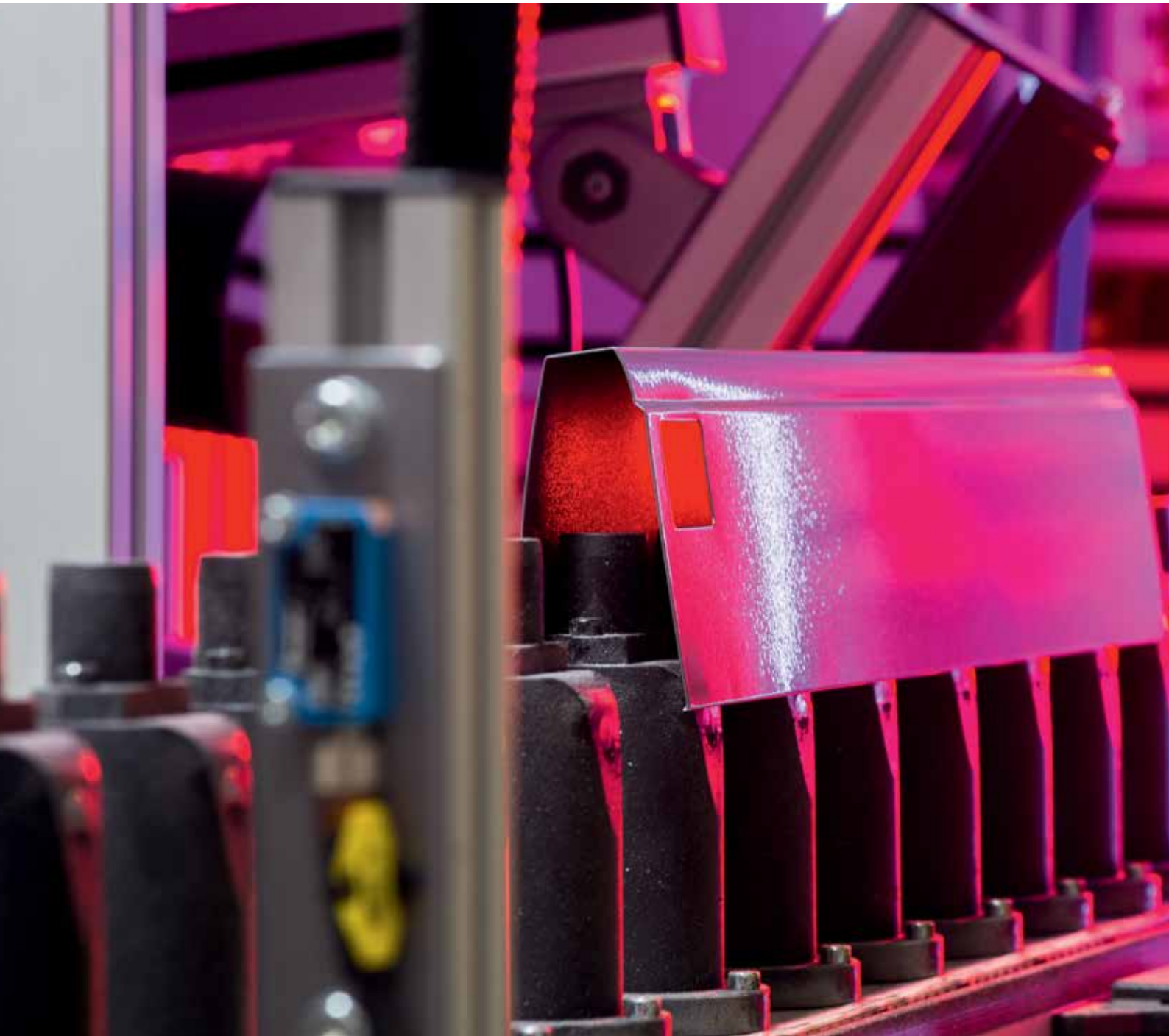
Our promise to you, our customers, is outstanding quality. In every single Hettich product. How do we keep this promise? With the passion, expertise and sophisticated production processes that make every Hettich product just what you have come to expect: reliable and long lasting, safe and easy to install and use.



We fully embrace our responsibility for the environment. We regard statutory regulations as minimum requirements which we exceed with tremendous drive and passion. At sites in an ecologically sensitive environment we apply the stringent EMAS Regulation. In everything we do, we focus on using nature's resources carefully and saving raw materials.

Our Hettich Forum office building and showroom as well as the ArciTech production facility are perfect examples of our sustainability philosophy. The new production building's primary energy requirement is 73 percent lower than limits set by the German Energy Saving Regulation. And the Hettich Forum has received the national Green Building Award.





Hettich products must work safely and reliably. They must be sturdy and strong, easy to install and user friendly. This requirement profile demands ambitious research and development – and meticulous quality management.

In complex test procedures, we test every Hettich product for qualities such as durability, resistance to changing climatic conditions, safety and ergonomics.

The promise we give to our customers is: "fit and forget": once installed, Hettich products simply get on and do their job day after day after day. For furniture manufacturers, Hettich quality guarantees the reliability and long life of their own products. And the lasting satisfaction of furniture buyers.









German quality you can trust



Hinges

► Summary of ranges

<p>Concealed hinges Range summary / technical comparison</p>	
<p>Optional Silent System</p>	
<p>Push to open opening system for handleless furniture fronts</p>	
<p>Special hinges</p>	
<p>Order number index</p>	

	Sensys	Intermat
		
Page	11 - 60	62 - 89
Hinge cup mounting	<ul style="list-style-type: none"> ► For screwing on ► For pressing in ► Fix fast assembly ► With premounted expanding sockets 	<ul style="list-style-type: none"> ► For screwing on ► For pressing in ► With premounted expanding sockets
Door / door frame material	Wood, glass / wood, aluminium	Wood, glass / wood, aluminium
Installation	Clip on installation	Clip on installation
Closing system	<ul style="list-style-type: none"> ► With self closing feature ► With free swinging feature 	<ul style="list-style-type: none"> ► With self closing feature ► With free swinging feature
Silent System	<ul style="list-style-type: none"> ► Integrated Silent System ► Without Silent System 	Optional
Opening angle	95° - 110°, 165°	95°, 110°, 165°
Zero protrusion hinge	165°	165°
Door adjustment	3-dimensional	3-dimensional
Mounting plate system	System 8099 with oblong hole and eccentric cam height adjustment	System 8099 with oblong hole and eccentric cam height adjustment
Optional equipment	<ul style="list-style-type: none"> ► Opening system Push to open ► Accessories 	<ul style="list-style-type: none"> ► Opening system Push to open ► Silent System ► Accessories

Fast assembly concealed hinge

- ▶ Sensys with integrated Silent System
- ▶ Key selling points



Sensys hinge:

Ultimate Silent System perfectly designed



Stand apart from the competition!

Outstanding furniture design doesn't stop at the hinges. The easy way to meet customer demands: with well balanced, award winning Sensys design.



Less work!

No adjustment necessary. No matter whether large or heavy, the door always closes reliably and gently. As a result of the unusually wide automatic closing angle of 35°.



Maximum customer satisfaction!

No doors slamming when it's hot, no doors left standing open when it's cold. Sensys is optimised for reliable performance over a wide temperature range from + 5°C to + 40°C.



Reduce costs!

Some commonly used door formats normally hung on 3 or more hinges can often be mounted with one hinge less. As a result of best in class Silent System performance from Sensys.

Fast-assembly concealed hinge



- ▶ Sensys
- ▶ Range summary



Sensys 110° standard hinge

- ▶ Sensys 8645i / 8645 / 8675
- ▶ 110° opening angle

14 - 19



Sensys 95° thick door hinge

- ▶ Sensys 8631i / 8631 / 8661
- ▶ For narrow reveals between thick doors

20 - 25



Sensys 110° thin door hinge

- ▶ Sensys 8646i / 8646
- ▶ For thin doors

26 - 29



Sensys 165° zero protrusion hinge

- ▶ Sensys 8657i / 8657 / 8687
- ▶ For unobstructed access to storage space

30 - 35



Sensys W30 angle hinge

- ▶ Sensys 8639i W30 / 8639 W30
- ▶ For 30° face angle applications

36 - 38



Sensys W45 angle hinge

- ▶ Sensys 8639i W45 / 8639 W45 / 8669 W45
- ▶ For face angle 45°

40 - 44



Sensys W90 angle hinge

- ▶ Sensys 8639i W90 / 8639 W90 / 8669 W90
- ▶ For 90° face angle applications

46 - 50



Sensys aluminium framed hinge

- ▶ Sensys 8638i
- ▶ For aluminium framed doors

52 - 53



Intermat folding door hinge

- ▶ Intermat 9930 with cup in Sensys design
- ▶ For folding doors

54 - 56



Mounting plates

- ▶ System 8099
- ▶ For Sensys and Intermat hinges

90 - 92



Accessories

- ▶ For Sensys/Intermat

93 - 97



Technical information

58 - 60

Fast-assembly concealed hinge



- ▶ Sensys in obsidian black
- ▶ Range summary



Sensys 110° standard hinge

- ▶ Sensys 8645i / 8675
- ▶ 110° opening angle

15 / 18



Sensys 95° thick door hinge

- ▶ Sensys 8631i
- ▶ For narrow reveals between thick doors

21



Sensys 110° thin door hinge

- ▶ Sensys 8646i
- ▶ For thin doors

27



Sensys 165° zero protrusion hinge

- ▶ Sensys 8657i
- ▶ For unobstructed access to storage space

31



Sensys 165° zero protrusion hinge

- ▶ Sensys 8687
- ▶ For unobstructed access to storage space

34



Sensys W45 angle hinge

- ▶ Sensys 8639i
- ▶ For 45° face angles

41



Sensys W90 angle hinge

- ▶ Sensys 8639i W90
- ▶ For 90° face angles

47



Sensys aluminium framed hinge

- ▶ Sensys 8638i
- ▶ For aluminium framed doors

52



Sensys Intermat 9930 hinge

- ▶ Sensys 9930
- ▶ For 50° / 65° opening angle

55



Mounting plates

- ▶ System 8099
- ▶ For Sensys

92



Accessories

- ▶ For Sensys in obsidian black

95



Technical information

58 - 60


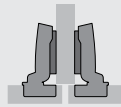
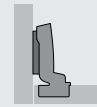
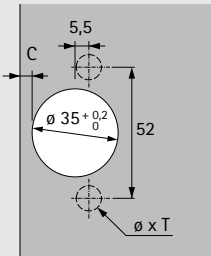
Fast assembly concealed hinge with integrated Silent System

- ▶ Sensys 8645i
- ▶ Opening angle 110°



- ▶ Concealed hinge with clip on installation and integrated Silent System
- ▶ Quality classification under EN 15570, Level 3
- ▶ For door thickness 15 - 24 mm
- ▶ Cup diameter 35 mm
- ▶ Cup depth 12.8 mm
- ▶ Integrated overlay adjustment + 2 mm / - 2 mm
- ▶ Integrated depth adjustment + 3 mm / - 2 mm
- ▶ Height adjustment at mounting plate
- ▶ Hinge arm material: nickel plated steel
- ▶ Hinge cup material: nickel plated steel

Sensys 8645i, opening angle 110°

Cup assembly	Drilling pattern	Mounting hole ϕ x T mm	Full overlay	Half overlay	Inset	PU
						
For screwing on TH 52		-	Basis B 12,5 mm	Basis B 3 mm	Basis B -4 mm	200 ea.
For pressing in TH 53		ϕ 10 x 11	9 071 205	9 071 206	9 071 207	200 ea.
Flash fast installation TH 54		ϕ 10 x 11	9 071 208	9 071 209	9 071 210	200 ea.
			9 071 211	9 073 612	9 073 613	50 ea.
Fix fast installation THS 55		ϕ 10 x 6	9 073 614	9 073 615	9 073 616	50 ea.
With premounted expanding sockets TH 58		ϕ 10 x 11	9 073 567	9 073 568		200 ea.
				9 073 688	50 ea.	


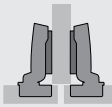

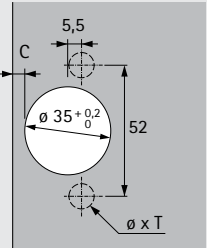
Fast assembly concealed hinge with integrated Silent System

- ▶ Sensys 8645i in obsidian black
- ▶ 110° opening angle



- ▶ Concealed hinge with clip on installation and integrated Silent System
- ▶ Quality classification under EN 15570, Level 3
- ▶ For door thickness of 15 - 24 mm
- ▶ Cup diameter 35 mm
- ▶ Cup depth 12.8 mm
- ▶ Integrated overlay adjustment + 2 mm / - 2 mm
- ▶ Integrated depth adjustment + 3 mm / - 2 mm
- ▶ Height adjustment at mounting plate
- ▶ All visible parts in obsidian black
- ▶ Hinge arm material: steel in obsidian black
- ▶ Hinge cup material: steel in obsidian black

Sensys 8645i, 110° opening angle

Cup assembly	Drilling pattern	Mounting hole ø x T mm	Full overlay	Half overlay	Inset	PU
						
For screwing on TH 52		-	Base B 12.5 mm	Base B 3 mm	Base B -4 mm	50 ea.
With premounted expanding sockets TH 58		ø 10 x 11	9 091 771	9 091 772	9 091 773	50 ea.


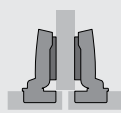
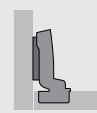
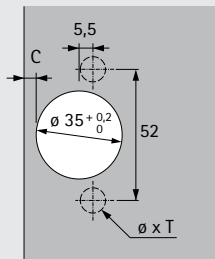
Fast assembly concealed hinge without integrated Silent System

- ▶ Sensys 8645
- ▶ Opening angle 110°



- ▶ Concealed hinge with clip on installation without integrated Silent System
- ▶ Quality classification under EN 15570, Level 3
- ▶ For door thickness 15 - 22 mm
- ▶ Cup diameter 35 mm
- ▶ Cup depth 12.8 mm
- ▶ Integrated overlay adjustment + 2 mm / - 2 mm
- ▶ Integrated depth adjustment + 3 mm / - 2 mm
- ▶ Height adjustment at mounting plate
- ▶ Hinge arm material: nickel plated steel
- ▶ Hinge cup material: nickel plated steel

Sensys 8645, opening angle 110°

Cup assembly	Drilling pattern	Mounting hole ϕ x T mm	Full overlay	Half overlay	Inset	PU
						
For screwing on TH 52		-	Basis B 12,5 mm	Basis B 3 mm	Basis B -4 mm	50 ea.
For pressing in TH 53		ϕ 10 x 11	9 073 638	9 079 639	9 073 640	50 ea.
Fix fast installation THS 55		ϕ 10 x 6	9 071 262	9 073 642	9 073 643	200 ea.
With premounted expanding sockets TH 58		ϕ 10 x 11	9 073 644	9 073 645	9 073 646	50 ea.
			9 073 695	9 073 696	9 073 697	50 ea.


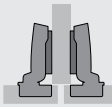

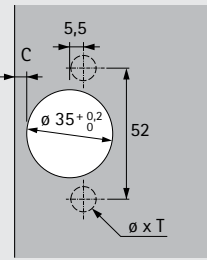
Fast assembly concealed hinge without self closing feature

- ▶ Sensys 8675
- ▶ Opening angle 110°



- ▶ Hinge with clip on installation without self closing feature
- ▶ For example for Push to open applications
- ▶ Quality classification under EN 15570, Level 3
- ▶ For door thickness 15 - 24 mm
- ▶ Cup diameter 35 mm
- ▶ Cup depth 12.8 mm
- ▶ Integrated overlay adjustment + 2 mm / - 2 mm
- ▶ Integrated depth adjustment + 3 mm / - 2 mm
- ▶ Height adjustment at mounting plate
- ▶ Hinge arm material: nickel plated steel
- ▶ Hinge cup material: nickel plated steel

Sensys 8675, opening angle 110°

Cup assembly	Drilling pattern	Mounting hole \varnothing x T mm	Full overlay	Half overlay	Inset	PU
						
For pressing in TH 53		\varnothing 10 x 11	9 073 665	9 073 666	9 073 667	50 ea.
Fix fast installation THS 55		\varnothing 10 x 6	9 073 668			50 ea.
With premounted expanding sockets TH 58		\varnothing 10 x 11	9 073 704	9 073 705	9 073 706	50 ea.


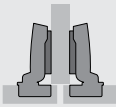
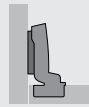
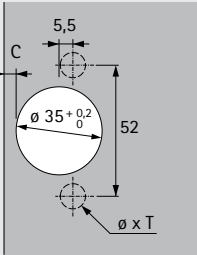
Fast assembly concealed hinge without self closing feature

- ▶ Sensys 8675 in obsidian black
- ▶ 110° opening angle



- ▶ Hinge with clip on installation without self closing feature
- ▶ For example, for Push to open applications
- ▶ Quality classification under EN 15570, Level 3
- ▶ For door thickness of 15 - 24 mm
- ▶ Cup diameter 35 mm
- ▶ Cup depth 12.8 mm
- ▶ Integrated overlay adjustment + 2 mm / - 2 mm
- ▶ Integrated depth adjustment + 3 mm / - 2 mm
- ▶ Height adjustment at mounting plate
- ▶ All visible parts in obsidian black
- ▶ Hinge arm material: steel in obsidian black
- ▶ Hinge cup material: steel in obsidian black

Sensys 8675, 110° opening angle

Cup assembly	Drilling pattern	Mounting hole ø x T mm	Full overlay	Half overlay	Inset	PU
						
For screwing on TH 52		-	9 091 741	9 091 742	9 091 743	50 ea.
With premounted expanding sockets TH 58		ø 10 x 11	9 091 774	9 091 775	9 091 776	50 ea.

Fast assembly concealed hinge

- ▶ Sensys 8645i / Sensys 8645 / Sensys 8675
- ▶ Opening angle 110°

Minimum reveal per door

Door thickness mm	Cup distance C mm					
	3.0	4.0	4.5	5.0	6.0	7.0
15	0.2	0.2	0.2	0.2	0.2	0.2
16	0.3	0.3	0.3	0.3	0.3	0.3
17	0.4	0.4	0.4	0.4	0.4	0.4
18	0.6	0.6	0.6	0.6	0.6	0.5
19	0.8	0.8	0.8	0.8	0.7	0.7
20	1.1	1.0	1.0	1.0	1.0	0.9
21	1.4	1.3	1.3	1.3	1.2	1.2
22	2.2	1.8	1.7	1.6	1.6	1.5
23	3.0	2.6	2.4	2.2	2.0	1.9
24	3.9	3.4	3.2	3.0	2.6	2.4

Please note:

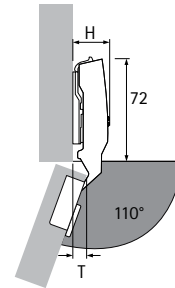
The table entries refer to doors with an edge radius of 1 mm.

On doors with other radii, the minimum reveal changes as follows:

Radius 0 mm:
Values shown in table + 0.4 mm

Radius 3 mm:
Values shown in table - 0.6 mm

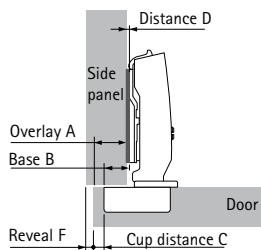
Protrusions / installed depth



Hinge protrusion H / door protrusion T for distance D = 0 mm and cup distance C = 3 mm

Door mounting option	H mm	T mm
Full overlay	25.0	8.5
Half overlay	31.0	18.0
Inset	38.0	25.0

Full overlay

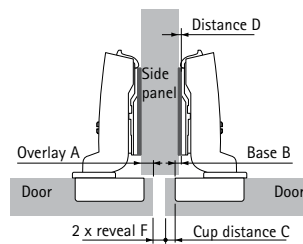


$$\text{Distance D} = \text{C} + \text{B} - \text{A}$$

= cup distance C + 12.5 mm - overlay A

Overlay mm	Cup distance C mm					
	3.0	4.0	4.5	5.0	6.0	7.0
Distance D mm						
10	5.5	6.5	7.0	7.5	8.5	9.5
11	4.5	5.5	6.0	6.5	7.5	8.5
12	3.5	4.5	5.0	5.5	6.5	7.5
13	2.5	3.5	4.0	4.5	5.5	6.5
14	1.5	2.5	3.0	3.5	4.5	5.5
15	0.5	1.5	2.0	2.5	3.5	4.5
16		0.5	1.0	1.5	2.5	3.5
17			0.0	0.5	1.5	2.5
18					0.5	1.5
19						0.5

Half overlay

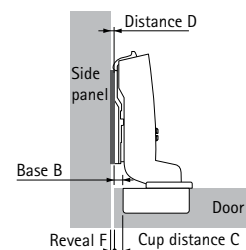


$$\text{Distance D} = \text{C} + \text{B} - \text{A}$$

= cup distance C + 3 mm - overlay A

Overlay mm	Cup distance C mm					
	3.0	4.0	4.5	5.0	6.0	7.0
Distance D mm						
0.5	5.5	6.5	7.0	7.5	8.5	9.5
1.5	4.5	5.5	6.0	6.5	7.5	8.5
2.5	3.5	4.5	5.0	5.5	6.5	7.5
3.5	2.5	3.5	4.0	4.5	5.5	6.5
4.5	1.5	2.5	3.0	3.5	4.5	5.5
5.5	0.5	1.5	2.0	2.5	3.5	4.5
6.5		0.5	1.0	1.5	2.5	3.5
7.5			0.0	0.5	1.5	2.5
8.5					0.5	1.5
9.5						0.5

Inset



$$\text{Distance D} = \text{C} + \text{B} + \text{F}$$

= cup distance C - 4 mm + reveal F

Door thickness mm	Cup distance C mm					
	3.0	4.0	4.5	5.0	6.0	7.0
Distance D mm						
15	0.2	0.7	1.2	2.2	3.2	
16	0.3	0.8	1.3	2.3	3.3	
17	0.4	0.9	1.4	2.4	3.4	
18	0.6	1.1	1.6	2.6	3.5	
19	0.8	1.3	1.8	2.7	3.7	
20	0.1	1.0	1.5	2.0	3.0	3.9
21	0.4	1.3	1.8	2.3	3.2	4.2
22	1.2	1.8	2.2	2.6	3.6	4.5
23	2.0	2.6	2.9	3.2	4.0	4.9
24	2.9	3.4	3.7	4.0	4.6	5.4

Advice

- ▶ For mounting plates and accessories, see page 90 - 97
- ▶ For example applications, fitting information, installation notes and quality criteria, see page 58-60


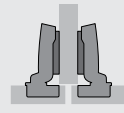
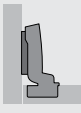
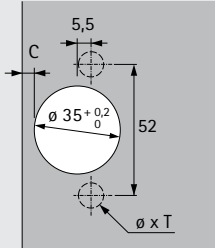
Fast assembly concealed hinge with integrated Silent System

- ▶ Sensys 8631i for thick doors
- ▶ 95° opening angle



- ▶ Concealed hinge with clip on installation and integrated Silent System
- ▶ Quality classification under EN 15570, Level 2
- ▶ For door thickness of 15 – 32 mm
- ▶ Cup diameter 35 mm
- ▶ Cup depth 12.8 mm
- ▶ Integrated overlay adjustment + 2 mm / - 2 mm
- ▶ Integrated depth adjustment + 3 mm / - 2 mm
- ▶ Height adjustment at mounting plate
- ▶ Hinge arm material: nickel plated steel
- ▶ Hinge cup material: nickel plated steel

Sensys 8631i, opening angle 95°

Cup assembly	Drilling pattern	Mounting hole \varnothing x T mm	Full overlay	Half overlay	Inset	PU
						
For screwing on TH 52		-	Base B 12,5 mm	Base B 3 mm	Base B -4 mm	200 ea.
For pressing in TH 53		$\varnothing 10 \times 11$	9 090 260	9 091 410	9 091 420	50 ea.
With premounted expanding sockets TH 58		$\varnothing 10 \times 11$	9 090 261			200 ea.
Flash fast installation TH 54		$\varnothing 10 \times 11$	9 091 406			50 ea.
		$\varnothing 10 \times 11$	9 091 402			50 ea.


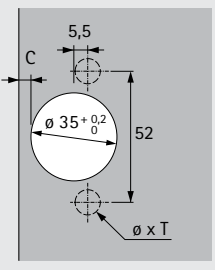
Fast assembly concealed hinge with integrated Silent System

- ▶ Sensys 8631i for thick doors in obsidian black
- ▶ 95° opening angle



- ▶ Concealed hinge with clip on installation and integrated Silent System
- ▶ Quality classification under EN 15570, Level 2
- ▶ For door thickness of 15 – 32 mm
- ▶ Cup diameter 35 mm
- ▶ Cup depth 12.8 mm
- ▶ Integrated overlay adjustment + 2 mm / - 2 mm
- ▶ Integrated depth adjustment + 3 mm / - 2 mm
- ▶ Height adjustment at mounting plate
- ▶ Height adjustment at mounting plate
- ▶ All visible parts in obsidian black
- ▶ Hinge arm material: steel in obsidian black
- ▶ Hinge cup material: steel in obsidian black

Sensys 8631i, opening angle 95°

Cup assembly	Drilling pattern	Mounting hole \varnothing x T mm	Full overlay 	
For screwing on TH 52		-	Base B 12,5 mm	PU
			9 091 753	50 ea.

Fast assembly concealed hinge without integrated Silent System

- ▶ Sensys 8631 for thick doors
- ▶ 95° opening angle



- ▶ Concealed hinge with clip on installation without integrated Silent System
- ▶ Quality classification under EN 15570, Level 2
- ▶ For door thickness of 15 – 32 mm
- ▶ Cup diameter 35 mm
- ▶ Cup depth 12.8 mm
- ▶ Integrated overlay adjustment + 2 mm / - 2 mm
- ▶ Integrated depth adjustment + 3 mm / - 2 mm
- ▶ Height adjustment at mounting plate
- ▶ Hinge arm material: nickel plated steel
- ▶ Hinge cup material: nickel plated steel

Sensys 8631, opening angle 95°

		Full overlay		
Cup assembly	Drilling pattern	Mounting hole \varnothing x T mm	Base B 12,5 mm	PU

For screwing on TH 52		-	9 091 490	50 ea.
-----------------------	--	---	------------------	--------


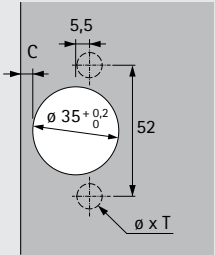
Fast assembly concealed hinge without self closing feature

- ▶ Sensys 8661 for thick doors
- ▶ 95° opening angle



- ▶ Hinge with clip on installation without self closing feature
- ▶ For example for Push to open applications
- ▶ Quality classification under EN 15570, Level 2
- ▶ For door thickness of 15 – 32 mm
- ▶ Cup diameter 35 mm
- ▶ Cup depth 12.8 mm
- ▶ Integrated overlay adjustment + 2 mm / - 2 mm
- ▶ Integrated depth adjustment + 3 mm / - 2 mm
- ▶ Height adjustment at mounting plate
- ▶ Hinge arm material: nickel plated steel
- ▶ Hinge cup material: nickel plated steel

Sensys 8661, opening angle 95°

Cup assembly	Drilling pattern	Mounting hole \varnothing x T mm	Full overlay 	Base B 12,5 mm	PU
For screwing on TH 52		-		9 091 580	50 ea.

Fast assembly concealed hinge

- ▶ Sensys 8631i / Sensys 8631 / Sensys 8661 for thick doors
- ▶ 95° opening angle

Minimum reveal per door

Doorthickness mm	Cup distance C mm						
	3.0	4.0	4.5	5.0	6.0	7.0	8.0
15	0.1	0.1	0.1	0.1	0.1	0.1	0.1
16	0.1	0.1	0.1	0.1	0.1	0.1	0.1
17	0.2	0.2	0.2	0.2	0.2	0.2	0.2
18	0.2	0.2	0.2	0.2	0.2	0.2	0.2
19	0.3	0.3	0.3	0.3	0.3	0.3	0.3
20	0.4	0.4	0.4	0.4	0.4	0.4	0.4
21	0.6	0.6	0.6	0.6	0.6	0.6	0.6
22	0.7	0.7	0.7	0.7	0.7	0.7	0.7
23	0.9	0.9	0.9	0.9	0.9	0.9	0.9
24	1.1	1.0	1.0	1.0	1.0	1.0	1.0
25	1.3	1.2	1.2	1.2	1.2	1.2	1.2
26	1.5	1.5	1.4	1.4	1.4	1.4	1.4
27	1.7	1.7	1.7	1.7	1.6	1.6	1.6
28	2.0	2.0	1.9	1.9	1.9	1.8	1.8
29	2.9	2.3	2.2	2.2	2.2	2.1	2.1
30	3.8	3.2	3.0	2.7	2.5	2.4	2.4
31	4.8	4.1	3.8	3.6	3.1	2.7	2.7
32	5.7	5.1	4.8	4.5	3.9	3.4	3.0

Please note:

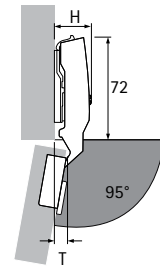
The table entries refer to doors with an edge radius of 1 mm.

On doors with other radii, the minimum reveal changes as follows:

Radius 0 mm:

Values shown in table + 0.4 mm

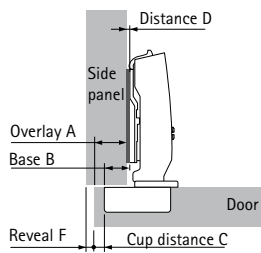
Protrusions / installed depth



Hinge protrusion H / door protrusion T for distance D = 0 mm and cup distance C = 3 mm

Door mounting option	H mm	T mm
Full overlay	24.0	12.5
Half overlay	28.3	22.0
Inset	35.3	29.0

Full overlay

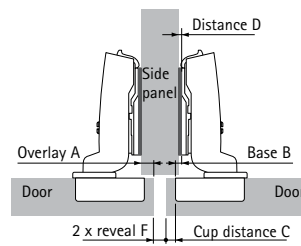


$$\text{Distance D} = C + B - A$$

$$= \text{cup distance C} + 12.5 \text{ mm} - \text{overlay A}$$

Overlay mm	Cup distance C mm						
	3.0	4.0	4.5	5.0	6.0	7.0	8.0
Distance D mm							
10	5.5	6.5	7.0	7.5	8.5	9.5	10.5
11	4.5	5.5	6.0	6.5	7.5	8.5	9.5
12	3.5	4.5	5.0	5.5	6.5	7.5	8.5
13	2.5	3.5	4.0	4.5	5.5	6.5	7.5
14	1.5	2.5	3.0	3.5	4.5	5.5	6.5
15	0.5	1.5	2.0	2.5	3.5	4.5	5.5
16		0.5	1.0	1.5	2.5	3.5	4.5
17			0.0	0.5	1.5	2.5	3.5
18					0.5	1.5	2.5
19						0.5	1.5
20							0.5

Half overlay

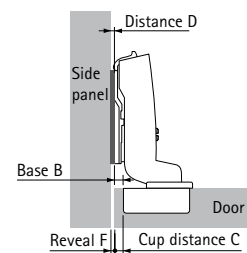


$$\text{Distance D} = C + B - A$$

$$= \text{cup distance C} + 3 \text{ mm} - \text{overlay A}$$

Overlay mm	Cup distance C mm						
	3.0	4.0	4.5	5.0	6.0	7.0	8.0
Distance D mm							
0.5	5.5	6.5	7.0	7.5	8.5	9.5	10.5
1.5	4.5	5.5	6.0	6.5	7.5	8.5	9.5
2.5	3.5	4.5	5.0	5.5	6.5	7.5	8.5
3.5	2.5	3.5	4.0	4.5	5.5	6.5	7.5
4.5	1.5	2.5	3.0	3.5	4.5	5.5	6.5
5.5	0.5	1.5	2.0	2.5	3.5	4.5	5.5
6.5		0.5	1.0	1.5	2.5	3.5	4.5
7.5			0.0	0.5	1.5	2.5	3.5
8.5					0.5	1.5	2.5
9.5						0.5	1.5
10.5							0.5

Inset



$$\text{Distance D} = C + B + F$$

$$= \text{cup distance C} - 4 \text{ mm} + \text{reveal F}$$

Doorthickness mm	Cup distance C mm						
	3.0	4.0	4.5	5.0	6.0	7.0	8.0
Distance D mm							
15	0.1	0.6	1.1	2.1	3.1	4.1	
16	0.1	0.6	1.1	2.1	3.1	4.1	
17	0.2	0.7	1.2	2.2	3.2	4.2	
18	0.2	0.7	1.2	2.2	3.2	4.2	
19	0.3	0.8	1.3	2.3	3.3	4.3	
20	0.4	0.9	1.4	2.4	3.4	4.4	
21	0.6	1.1	1.6	2.6	3.6	4.6	
22	0.7	1.2	1.7	2.7	3.7	4.7	
23	0.9	1.4	1.9	2.9	3.9	4.9	
24	0.1	1.0	1.5	2.0	3.0	4.0	5.0
25	0.3	1.2	1.7	2.2	3.2	4.2	5.2
26	0.5	1.5	1.9	2.4	3.4	4.4	5.4
27	0.7	1.7	2.2	2.7	3.6	4.6	5.6
28	1.0	2.0	2.4	2.9	3.9	4.8	5.8
29	1.9	2.3	2.7	3.2	4.2	5.1	6.1
30	2.8	3.2	3.5	3.7	4.5	5.4	6.4
31	3.8	4.1	4.3	4.6	5.1	5.7	6.7
32	4.7	5.1	5.3	5.5	5.9	6.4	7.0

Advice

- ▶ For mounting plates and accessories, see page 90 - 97
- ▶ For example applications, fitting information, installation notes and quality criteria, see page 58 - 60

Fast assembly concealed hinge

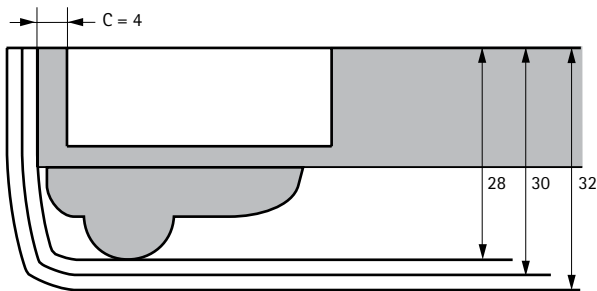
- ▶ Sensys 8631i / Sensys 8631 / Sensys 8661 for thick doors
- ▶ 95° opening angle

Door contours for minimum reveal application - scale 1:1

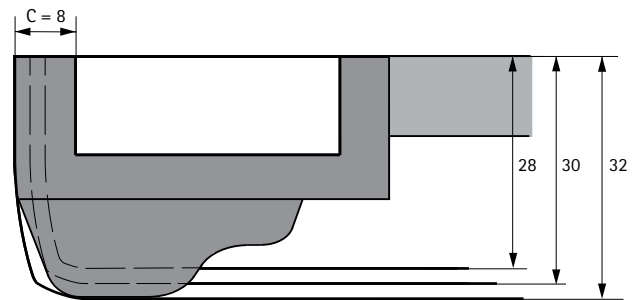
The values shown in the Minimum reveal table refer to an edge radius of 1 mm. Smaller reveal values apply if door edges are more rounded.
To obtain a minimum reveal application, the chosen door contour must lie within the template illustrated below. All contours protruding beyond the template will increase the reveal accordingly.



Example of minimum reveal application



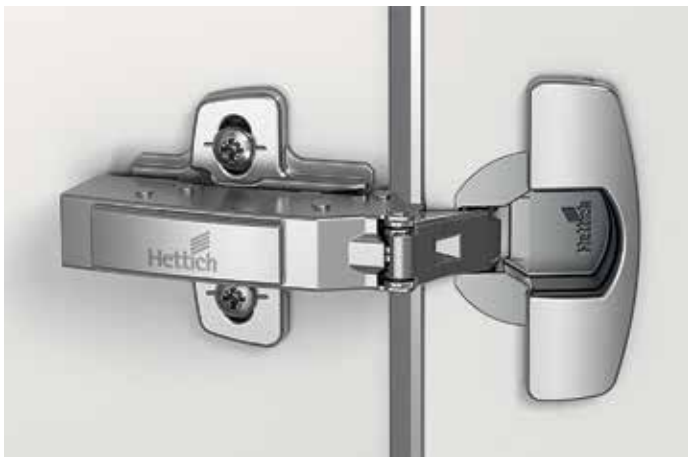
Example of minimum reveal application	
Door thickness	16 mm
Profile thickness	12 mm
Overall thickness	28 mm
Cup distance C	4 mm



Example of minimum reveal application	
Door thickness	19 mm
Profile thickness	13 mm
Overall thickness	32 mm
Cup distance C	8 mm


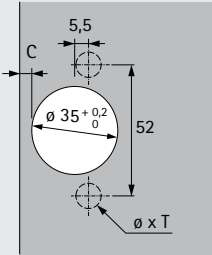
Fast assembly concealed hinge with integrated Silent System

- ▶ Sensys 8646i for thin doors
- ▶ 110° opening angle

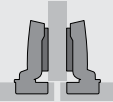
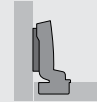
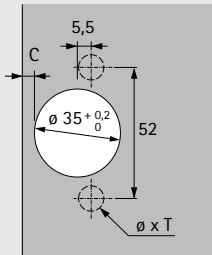


- ▶ Concealed hinge with clip on installation and integrated Silent System
- ▶ For door thickness of 10 – 16 mm
- ▶ Cup diameter 35 mm
- ▶ Cup depth 7.8 mm
- ▶ Integrated overlay adjustment + 2 mm / - 2 mm
- ▶ Integrated depth adjustment + 3 mm / - 2 mm
- ▶ Height adjustment at mounting plate
- ▶ Hinge arm material: nickel plated steel
- ▶ Hinge cup material: nickel plated steel
- ▶ **Note:** The method selected for attaching the hinge to the door must be suitable for the type and quality of door material and tested for a secure fit.

Sensys 8646i, opening angle 110°

Cup assembly	Drilling pattern	Mounting hole \varnothing x T mm	Full overlay 	
For screwing on TH 52		-	Base B 12,5 mm	PU
For pressing in TH 53		\varnothing 10 x 8	9 094 270	50 ea.
With premounted expanding sockets TH 58		\varnothing 10 x 8	9 094 271	9 094 276

Sensys 8646i, opening angle 110°

Cup assembly	Drilling pattern	Mounting hole \varnothing x T mm	Half overlay 	Inset 	
For screwing on TH 52		-	Base B 3 mm	Base B -4 mm	PU
For pressing in TH 53		\varnothing 10 x 8	9 094 280	9 094 290	50 ea.
With premounted expanding sockets TH 58		\varnothing 10 x 8	9 094 281	9 094 286	9 094 291


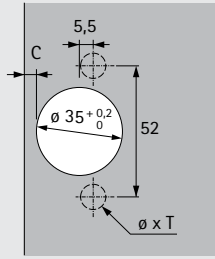
Fast assembly concealed hinge with integrated Silent System

- ▶ Sensys 8646i for thin doors in obsidian black
- ▶ 110° opening angle



- ▶ Concealed hinge with clip on installation and integrated Silent System
- ▶ For door thickness of 10 – 16 mm
- ▶ Cup diameter 35 mm
- ▶ Cup depth 7.8 mm
- ▶ Integrated overlay adjustment + 2 mm / - 2 mm
- ▶ Integrated depth adjustment + 3 mm / - 2 mm
- ▶ Height adjustment at mounting plate
- ▶ All visible parts in obsidian black
- ▶ Hinge arm material: steel in obsidian black
- ▶ Hinge cup material: steel in obsidian black
- ▶ **Note:** The method selected for attaching the hinge to the door must be suitable for the type and quality of door material and tested for a secure fit.

Sensys 8646i, opening angle 110°

Cup assembly	Drilling pattern	Mounting hole \varnothing x T mm	Full overlay  Base B 12,5 mm	PU
For screwing on TH 52		-	9 091 761	50 ea.
With premounted expanding sockets TH 58		\varnothing 10 x 8	9 091 793	50 ea.


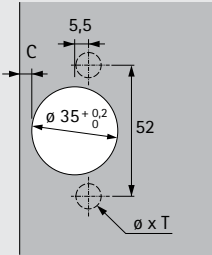
Fast assembly concealed hinge without integrated Silent System

- ▶ Sensys 8646 for thin doors
- ▶ 110° opening angle



- ▶ Concealed hinge with clip on installation without integrated Silent System
- ▶ For door thickness of 10 - 16 mm
- ▶ Cup diameter 35 mm
- ▶ Cup depth 7.8 mm
- ▶ Integrated overlay adjustment + 2 mm / - 2 mm
- ▶ Integrated depth adjustment + 3 mm / - 2 mm
- ▶ Height adjustment at mounting plate
- ▶ Hinge arm material: nickel plated steel
- ▶ Hinge cup material: nickel plated steel
- ▶ **Note:** The method selected for attaching the hinge to the door must be suitable for the type and quality of door material and tested for a secure fit.

Sensys 8646, opening angle 110°

			Full overlay		
Cup assembly	Drilling pattern	Mounting hole \varnothing x T mm		PU	
For screwing on TH 52		-	Base B 12,5 mm	9 094 360	50 ea.
For pressing in TH 53		\varnothing 10 x 8		9 094 361	50 ea.
With premounted expanding sockets TH 58		\varnothing 10 x 8		9 094 366	50 ea.

Fast assembly concealed hinge

► Sensys 8646i / Sensys 8646

► 110° opening angle

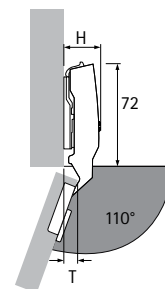
Minimum reveal per door

Door thickness mm	Cup distance C mm					
	3.0	4.0	4.5	5.0	6.0	7.0
10	0.1	0.1	0.1	0.1	0.1	0.1
11	0.2	0.2	0.2	0.2	0.2	0.2
12	0.4	0.4	0.4	0.4	0.4	0.4
13	0.6	0.6	0.5	0.5	0.5	0.5
14	0.8	0.8	0.7	0.7	0.7	0.7
15	1.0	1.0	1.0	1.0	0.9	0.9
16	1.3	1.3	1.3	1.2	1.2	1.2

Please note:

The table entries refer to doors with an edge radius of 1 mm.

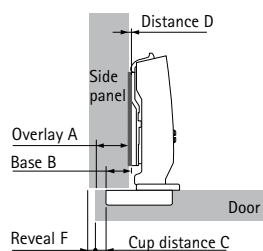
Protrusions / installed depth



Hinge protrusion H / door protrusion T for distance D = 0 mm and cup distance C = 3 mm

Door mounting option	H mm	T mm
Full overlay	25.0	8.5
Half overlay	31.0	18.0
Inset	38.0	25.0

Full overlay

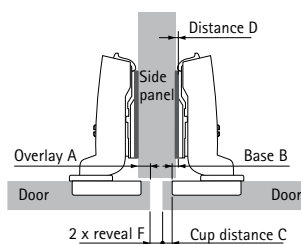


$$\text{Distance D} = \text{C} + \text{B} - \text{A}$$

= cup distance C + 12.5 mm - overlay A

Overlay mm	Cup distance C mm					
	3.0	4.0	4.5	5.0	6.0	7.0
Distance D mm						
10	5.5	6.5	7.0	7.5	8.5	9.5
11	4.5	5.5	6.0	6.5	7.5	8.5
12	3.5	4.5	5.0	5.5	6.5	7.5
13	2.5	3.5	4.0	4.5	5.5	6.5
14	1.5	2.5	3.0	3.5	4.5	5.5
15	0.5	1.5	2.0	2.5	3.5	4.5
16		0.5	1.0	1.5	2.5	3.5
17			0.0	0.5	1.5	2.5
18					0.5	1.5
19						0.5

Half overlay

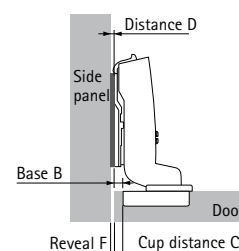


$$\text{Distance D} = \text{C} + \text{B} - \text{A}$$

= cup distance C + 3 mm - overlay A

Overlay mm	Cup distance C mm					
	3.0	4.0	4.5	5.0	6.0	7.0
Distance D mm						
0.5	5.5	6.5	7.0	7.5	8.5	9.5
1.5	4.5	5.5	6.0	6.5	7.5	8.5
2.5	3.5	4.5	5.0	5.5	6.5	7.5
3.5	2.5	3.5	4.0	4.5	5.5	6.5
4.5	1.5	2.5	3.0	3.5	4.5	5.5
5.5	0.5	1.5	2.0	2.5	3.5	4.5
6.5		0.5	1.0	1.5	2.5	3.5
7.5			0.0	0.5	1.5	2.5
8.5					0.5	1.5
9.5						0.5

Inset



$$\text{Distance D} = \text{C} + \text{B} + \text{F}$$

= cup distance C - 4 mm + reveal F

Door thickness mm	Cup distance C mm					
	3.0	4.0	4.5	5.0	6.0	7.0
Distance D mm						
10	0.1	0.6	1.1	2.1	3.1	
11	0.2	0.7	1.2	2.2	3.2	
12	0.4	0.9	1.4	2.4	3.3	
13	0.6	1.0	1.5	2.5	3.5	
14	0.8	1.2	1.7	2.7	3.7	
15	0.0	1.0	1.5	2.0	2.9	3.9
16	0.3	1.3	1.8	2.2	3.2	4.2

Advice

- For mounting plates and accessories, see page 90 - 97
- For example applications, fitting information, installation notes and quality criteria, see page 58 - 60



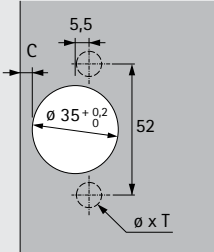
Fast assembly concealed hinge with integrated Silent System

- ▶ Sensys 8657i zero protrusion hinge
- ▶ Opening angle 165°



- ▶ Concealed hinge with clip on installation and integrated Silent System
- ▶ Quality classification under EN 15570, Level 3
- ▶ For door thickness of 15 – 32 mm
- ▶ Cup diameter 35 mm
- ▶ Cup depth 11.6 mm
- ▶ Integrated overlay adjustment + 2 mm / - 2 mm
- ▶ Integrated depth adjustment + 3 mm / - 2 mm
- ▶ Height adjustment at mounting plate
- ▶ Opening angle can be reduced by means of optional accessories
- ▶ Zero protrusion hinge
- ▶ Hinge arm material: nickel plated steel
- ▶ Hinge cup material: nickel plated steel

Sensys 8657i, opening angle 165°

Cup assembly	Drilling pattern	Mounting hole \varnothing x T mm	Full overlay	Half overlay	PU
					
For screwing on TH 52		-	Basis B 12,5 mm	Basis B 3 mm	50 ea.
For pressing in TH 53		\varnothing 10 x 11	9 099 540	9 099 551	50 ea.
Fix fast installation THS 55		\varnothing 10 x 6	9 099 541		50 ea.
With premounted expanding sockets TH 58		\varnothing 10 x 11	9 099 543		50 ea.
Flash fast installation TH 54		\varnothing 10 x 11	9 099 546		50 ea.
		\varnothing 10 x 11	9 099 542		50 ea.



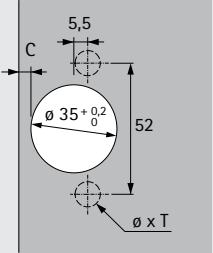
Fast assembly concealed hinge with integrated Silent System

- ▶ Sensys 8657i in obsidian black, zero protrusion hinge
- ▶ 165° opening angle



- ▶ Concealed hinge with clip on installation and integrated Silent System
- ▶ Quality classification under EN 15570, Level 3
- ▶ For door thickness of 15 – 32 mm
- ▶ Cup diameter 35 mm
- ▶ Cup depth 11.6 mm
- ▶ Integrated overlay adjustment + 2 mm / - 2 mm
- ▶ Integrated depth adjustment + 3 mm / - 2 mm
- ▶ Height adjustment at mounting plate
- ▶ Opening angle can be reduced by means of optional accessory
- ▶ Zero protrusion hinge
- ▶ All visible parts in obsidian black
- ▶ Hinge arm material: steel in obsidian black
- ▶ Hinge cup material: steel in obsidian black

Sensys 8657i, 165° opening angle

Cup assembly	Drilling pattern	Mounting hole ø x T mm	Full overlay	Half overlay	PU
					
For screwing on TH 52		-	Base B 12.5 mm 9 091 767	Base B 3 mm 9 091 768	50 ea.
With premounted expanding sockets TH 58		ø 10 x 11	9 091 789		50 ea.



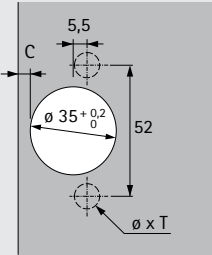
Fast assembly concealed hinge without integrated Silent System

- ▶ Sensys 8657, zero protrusion hinge
- ▶ Opening angle 165°



- ▶ Concealed hinge with clip on installation without integrated Silent System
- ▶ Quality classification under EN 15570, Level 3
- ▶ For door thickness of 15 – 32 mm
- ▶ Cup diameter 35 mm
- ▶ Cup depth 11.6 mm
- ▶ Integrated overlay adjustment + 2 mm / - 2 mm
- ▶ Integrated depth adjustment +3 mm / - 2 mm
- ▶ Height adjustment at mounting plate
- ▶ Opening angle can be reduced by means of optional accessories
- ▶ Zero protrusion hinge
- ▶ Hinge arm material: nickel plated steel
- ▶ Hinge cup material: nickel plated steel

Sensys 8657, opening angle 165°

Cup assembly	Drilling pattern	Mounting hole \varnothing x T mm	Full overlay	Half overlay	PU
					
For screwing on TH 52		-	9 099 600	9 099 610	50 ea.
For pressing in TH 53		\varnothing 10 x 11	9 099 601		50 ea.
Fix fast installation THS 55		\varnothing 10 x 6	9 099 603		50 ea.
With premounted expanding sockets TH 58		\varnothing 10 x 11	9 099 606		50 ea.



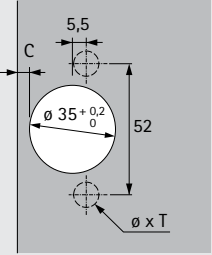
Fast assembly concealed hinge without self closing feature

- ▶ Sensys 8687, zero protrusion hinge
- ▶ Opening angle 165°



- ▶ Hinge with clip on installation without self closing feature
- ▶ For example for Push to open applications
- ▶ Quality classification under EN 15570, Level 3
- ▶ For door thickness of 15 – 32 mm
- ▶ Cup diameter 35 mm
- ▶ Cup depth 11.6 mm
- ▶ Integrated overlay adjustment + 2 mm / - 2 mm
- ▶ Integrated depth adjustment + 3 mm / - 2 mm
- ▶ Height adjustment at mounting plate
- ▶ Opening angle can be reduced by means of optional accessories
- ▶ Zero protrusion hinge
- ▶ Hinge arm material: nickel plated steel
- ▶ Hinge cup material: nickel plated steel

Sensys 8687, opening angle 165°

Cup assembly	Drilling pattern	Mounting hole \varnothing x T mm	Full overlay	Half overlay	PU
					
For pressing in TH 53		$\varnothing 10 \times 11$	9 099 661		50 ea.
Fix fast installation THS 55		$\varnothing 10 \times 6$	9 099 663	9 099 673	50 ea.
With premounted expanding sockets TH 58		$\varnothing 10 \times 11$	9 099 666		50 ea.



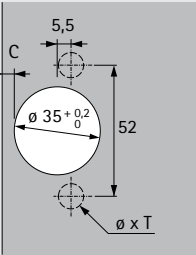
Fast assembly concealed hinge without self closing feature

- ▶ Sensys 8687 in obsidian black, zero protrusion hinge
- ▶ 165° opening angle



- ▶ Hinge with clip on installation without self closing feature
- ▶ For example, for Push to open applications
- ▶ Quality classification under EN 15570, Level 3
- ▶ For door thickness of 15 – 32 mm
- ▶ Cup diameter 35 mm
- ▶ Cup depth 11.6 mm
- ▶ Integrated overlay adjustment + 2 mm / - 2 mm
- ▶ Integrated depth adjustment + 3 mm / - 2 mm
- ▶ Height adjustment at mounting plate
- ▶ Opening angle can be reduced by means of optional accessory
- ▶ Zero protrusion hinge
- ▶ All visible parts in obsidian black
- ▶ Hinge arm material: steel in obsidian black
- ▶ Hinge cup material: steel in obsidian black

Sensys 8687, 165° opening angle

Cup assembly	Drilling pattern	Mounting hole ø x T mm	Full overlay	Half overlay	PU
			 Base B 12.5 mm	 Base B 3 mm	
For screwing on TH 52		-	9 091 769	9 091 770	50 ea.
With premounted expanding sockets TH 58		ø 10 x 11	9 091 791		50 ea.

Fast assembly concealed hinge

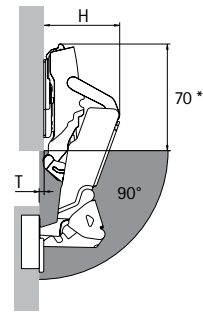
- ▶ Sensys 8657i / Sensys 8657 / Sensys 8687
- ▶ Opening angle 165°

Minimum reveal per door

Door thickness mm	Cup distance C mm					
	3.0	4.0	4.5	5.0	6.0	7.0
15	0.0	0.0	0.0	0.0	0.0	0.0
16	0.0	0.0	0.0	0.0	0.0	0.0
17	0.0	0.0	0.0	0.0	0.0	0.0
18	0.0	0.0	0.0	0.0	0.0	0.0
19	0.0	0.0	0.0	0.0	0.0	0.0
20	0.0	0.0	0.0	0.0	0.0	0.0
21	0.0	0.0	0.0	0.0	0.0	0.0
22	0.0	0.0	0.0	0.0	0.0	0.0
23	0.0	0.0	0.0	0.0	0.0	0.0
24	0.0	0.0	0.0	0.0	0.0	0.0
25	0.0	0.0	0.0	0.0	0.0	0.0
26	0.1	0.1	0.1	0.1	0.1	0.1
27	0.1	0.1	0.1	0.1	0.1	0.1
28	0.2	0.2	0.2	0.2	0.2	0.3
29*	0.4	0.4	0.4	0.4	0.5	0.6
30**	0.7	0.7	0.8	0.8	1.0	1.1
31**	1.1	1.2	1.3	1.4	1.6	
32**	1.7	1.9	2.0	2.2		

*when using the opening angle limiter at 120°
 **when using the opening angle limiter at 105°

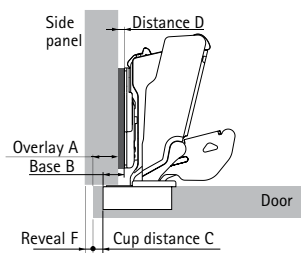
Protrusions / installed depth



No door protrusion T up to distance D = 3, unobstructed interior for pull-outs.
 *Hinge closed: 80 mm

Door mounting option	H mm (max. at 30°)	T mm (90°, D0)
Full overlay	66	-3
Half overlay	75.5	6.5

Full overlay

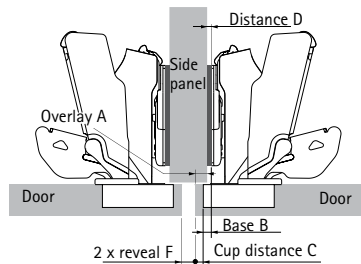


$$\text{Distance D} = \text{C} + \text{B} - \text{A}$$

= cup distance C + 12.5 mm - overlay A

Overlay mm	Cup distance C mm					
	3.0	4.0	4.5	5.0	6.0	7.0
Distance D mm						
10	5.5	6.5	7.0	7.5	8.5	9.5
11	4.5	5.5	6.0	6.5	7.5	8.5
12	3.5	4.5	5.0	5.5	6.5	7.5
13	2.5	3.5	4.0	4.5	5.5	6.5
14	1.5	2.5	3.0	3.5	4.5	5.5
15	0.5	1.5	2.0	2.5	3.5	4.5
16		0.5	1.0	1.5	2.5	3.5
17			0.0	0.5	1.5	2.5
18					0.5	1.5
19						0.5

Half overlay



$$\text{Distance D} = \text{C} + \text{B} - \text{A}$$

= cup distance C + 3 mm - overlay A

Overlay mm	Cup distance C mm					
	3.0	4.0	4.5	5.0	6.0	7.0
Distance D mm						
- 2	8.0	9.0	9.5	10.0	11.0	12.0
- 1	7.0	8.0	8.5	9.0	10.0	11.0
0	6.0	7.0	7.5	8.0	9.0	10.0
1	5.0	6.0	6.5	7.0	8.0	9.0
2	4.0	5.0	5.5	6.0	7.0	8.0
3	3.0	4.0	4.5	5.0	6.0	7.0
4	2.0	3.0	3.5	4.0	5.0	6.0
5	1.0	2.0	2.5	3.0	4.0	5.0
6	0.0	1.0	1.5	2.0	3.0	4.0
7		0.0	0.5	1.0	2.0	3.0
8				0.0	1.0	2.0
9					0.0	1.0
10						0.0

Advice

- ▶ For mounting plates and accessories, see page 90 - 97
- ▶ For example applications, fitting information, installation notes and quality criteria, see page 58 - 60


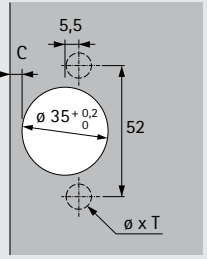
Fast assembly concealed hinge with integrated Silent System

- ▶ Sensys 8639i W30
- ▶ For 30° face angle, 95° opening angle



- ▶ Concealed hinge with clip on installation and integrated Silent System
- ▶ Quality classification under EN 15570, Level 3
- ▶ For diagonal base units, carcass angle 120°
- ▶ For door thickness 15 - 28 mm
- ▶ Cup diameter 35 mm
- ▶ Cup depth 12.8 mm
- ▶ Integrated overlay adjustment + 2 mm / - 2 mm
- ▶ Integrated depth adjustment + 3 mm / - 2 mm
- ▶ Height adjustment at mounting plate
- ▶ Hinge arm material: zinc die-cast nickel plated
- ▶ Hinge cup material: nickel plated steel

Sensys 8639i W30, opening angle 95°

Cup assembly	Drilling pattern	Mounting hole \varnothing x T mm	Overlay 	PU
For screwing on TH 52		-	Basis B 2 mm 9 088 016	50 ea.
For pressing in TH 53		$\varnothing 10 \times 11$	9 088 034	50 ea.
Fix fast installation THS 55		$\varnothing 10 \times 6$	9 088 070	50 ea.


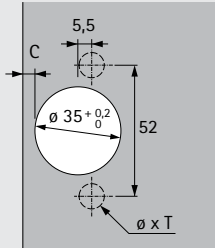
Fast assembly concealed hinge without integrated Silent System

- ▶ Sensys 8639 W30
- ▶ For 30° face angle, 95° opening angle



- ▶ Concealed hinge with clip on installation without integrated Silent System
- ▶ Quality classification under EN 15570, Level 3
- ▶ For diagonal base units, carcass angle 120°
- ▶ For door thickness 15 - 28 mm
- ▶ Cup diameter 35 mm
- ▶ Cup depth 12.8 mm
- ▶ Integrated overlay adjustment + 2 mm / - 2 mm
- ▶ Integrated depth adjustment + 3 mm / - 2 mm
- ▶ Height adjustment at mounting plate
- ▶ Hinge arm material: zinc die-cast nickel plated
- ▶ Hinge cup material: nickel plated steel

Sensys 8639 W30, opening angle 95°

Cup assembly	Drilling pattern	Mounting hole \emptyset x T mm	Overlay 	
For screwing on TH 52		-	Basis B 2 mm	PU
			9 088 100	50 ea.

Fast assembly concealed hinge

- ▶ Sensys 8639i W30 / Sensys 8639 W30
- ▶ For 30° face angle, 95° opening angle

Minimum reveal per door

Door thickness mm	Cup distance C mm							
	3.0	4.0	4.5	5.0	6.0	7.0	8.0	
15	0.2	0.2	0.2	0.2	0.2	0.2	0.2	
16	0.3	0.3	0.3	0.3	0.3	0.3	0.3	
17	0.4	0.4	0.4	0.4	0.4	0.4	0.4	
18	0.6	0.6	0.6	0.6	0.6	0.5	0.5	
19	0.8	0.8	0.8	0.8	0.7	0.7	0.7	
20	1.1	1.0	1.0	1.0	1.0	0.9	0.9	
21	1.4	1.3	1.3	1.3	1.2	1.2	1.2	
22	2.2	1.8	1.7	1.6	1.6	1.5	1.4	
23	3.0	2.6	2.4	2.2	2.0	1.9	1.8	
24	3.9	3.4	3.2	3.0	2.6	2.4	2.2	
25	4.8	4.2	4.0	3.8	3.4	3.0	2.8	
26	5.7	5.1	4.8	4.6	4.2	3.8	3.4	
27	6.6	6.0	5.7	5.5	5.0	4.5	4.2	
28	7.5	6.9	6.6	6.3	5.8	5.3	4.9	

Please note:

The table entries refer to doors with an edge radius of 1 mm.

On doors with other radii, the minimum reveal changes as follows:

Radius 0 mm:
Values shown in table + 0.4 mm

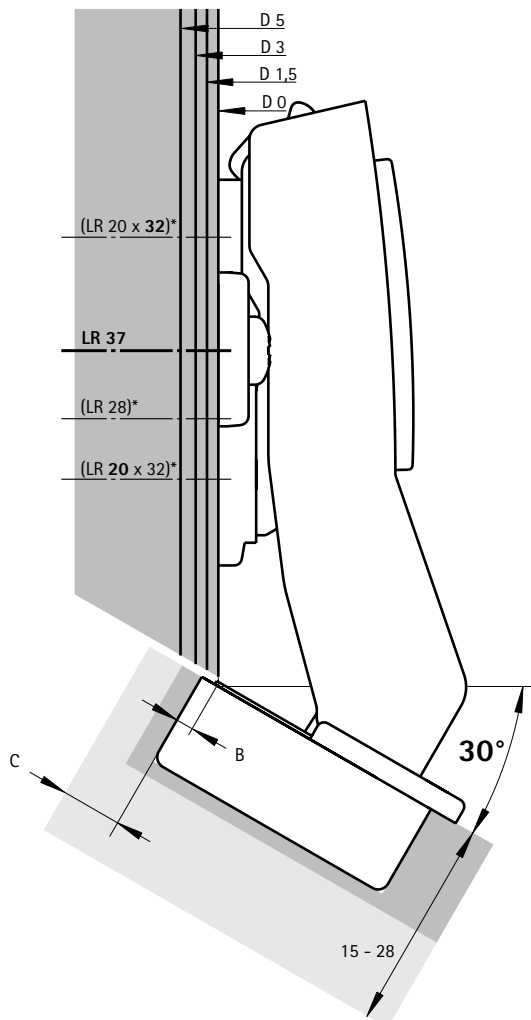
Radius 3 mm:
Values shown in table - 0.6 mm

Note

The drawings below show the hinges including mounting plate distances on a scale of 1:1. Allowing for cup distance C (3 - 8 mm) as well as the minimum reveal, the required mounting plate distance and hole line can be determined by drawing in the door and side panel.

You can visit our Hettich channel on YouTube for further information on how to configure cabinets.

Overlay (B 2 mm) - Scale 1:1



Advice

- ▶ For mounting plates and accessories, see page 90 - 97
- ▶ For example applications, fitting information, installation notes and quality criteria, see page 58 - 60


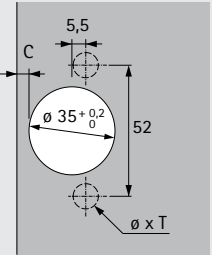
Fast assembly concealed hinge with integrated Silent System

- ▶ Sensys 8639i W45
- ▶ For 45° face angle, 95° opening angle



- ▶ Concealed hinge with clip on installation and integrated Silent System
- ▶ Quality classification under EN 15570, Level 3
- ▶ For diagonal base units, carcass angle 135°
- ▶ For door thickness 15 - 28 mm
- ▶ Cup diameter 35 mm
- ▶ Cup depth 12.8 mm
- ▶ Integrated overlay adjustment + 2 mm / - 2 mm
- ▶ Integrated depth adjustment + 3 mm / - 2 mm
- ▶ Height adjustment at mounting plate
- ▶ Hinge arm material: zinc die-cast nickel plated
- ▶ Hinge cup material: nickel plated steel

Sensys 8639i W45, opening angle 95°

			Overlay	
				
Cup assembly	Drilling pattern	Mounting hole \varnothing x T mm	Basis B -2 mm	PU
For screwing on TH 52		-	9 088 019	50 ea.
For pressing in TH 53		\varnothing 10 x 11	9 088 037	50 ea.
Fix fast installation THS 55		\varnothing 10 x 6	9 088 073	50 ea.
With premounted expanding socket TH 58		\varnothing 10 x 11	9 088 085	50 ea.


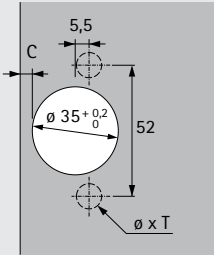
Fast assembly concealed hinge with integrated Silent System

- ▶ Sensys 8639i W45 in obsidian black
- ▶ For 45° face angles, 95° opening angle



- ▶ Concealed hinge with clip on installation and integrated Silent System
- ▶ Quality classification under EN 15570, Level 3
- ▶ For diagonal cabinets, carcass angle 135°
- ▶ For door thickness of 15 - 28 mm
- ▶ Cup diameter 35 mm
- ▶ Cup depth 12.8 mm
- ▶ Integrated overlay adjustment + 2 mm / - 2 mm
- ▶ Integrated depth adjustment + 3 mm / - 2 mm
- ▶ Height adjustment at mounting plate
- ▶ All visible parts in obsidian black
- ▶ Hinge arm material: zinc die-cast in obsidian black
- ▶ Hinge cup material: steel in obsidian black

Sensys 8639i W45, 95° opening angle

Cup assembly	Drilling pattern	Mounting hole ø x T mm	Overlay 	PU
For screwing on TH 52		-	Base B -2 mm 9 091 747	50 ea.
With premounted expanding sockets TH 58		ø 10 x 11	9 091 779	50 ea.


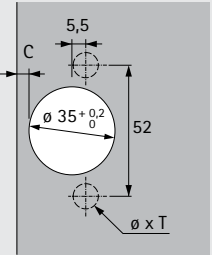
Fast assembly concealed hinge without integrated Silent System

- ▶ Sensys 8639 W45
- ▶ For 45° face angle, 95° opening angle



- ▶ Concealed hinge with clip on installation without integrated Silent System
- ▶ Quality classification under EN 15570, Level 3
- ▶ For diagonal base units, carcass angle 135°
- ▶ For door thickness 15 - 28 mm
- ▶ Cup diameter 35 mm
- ▶ Cup depth 12.8 mm
- ▶ Integrated overlay adjustment + 2 mm / - 2 mm
- ▶ Integrated depth adjustment + 3 mm / - 2 mm
- ▶ Height adjustment at mounting plate
- ▶ Hinge arm material: zinc die-cast nickel plated
- ▶ Hinge cup material: nickel plated steel

Sensys 8639 W45, opening angle 95°

Cup assembly	Drilling pattern	Mounting hole \varnothing x T mm	Overlay 	PU
For screwing on TH 52		-	9 088 103	50 ea.
Fix fast installation THS 55		$\varnothing 10 \times 6$	9 088 139	50 ea.


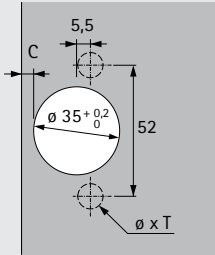
Fast assembly concealed hinge without self closing feature

- ▶ Sensys 8669 W45
- ▶ For 45° face angle, 95° opening angle



- ▶ Hinge with clip on installation without self closing feature
- ▶ For example for Push to open applications
- ▶ Quality classification under EN 15570, Level 3
- ▶ For diagonal base units, carcass angle 135°
- ▶ For door thickness 15 - 28 mm
- ▶ Cup diameter 35 mm
- ▶ Cup depth 12.8 mm
- ▶ Integrated overlay adjustment + 2 mm / - 2 mm
- ▶ Integrated depth adjustment + 3 mm / - 2 mm
- ▶ Height adjustment at mounting plate
- ▶ Hinge arm material: zinc die-cast nickel plated
- ▶ Hinge cup material: nickel plated steel

Sensys 8669 W45, opening angle 95°

Cup assembly	Drilling pattern	Mounting hole \emptyset x T mm	Overlay 	
For screwing on TH 52		-	Basis B -2 mm	PU
Fix fast installation THS 55		$\emptyset 10 \times 6$		
			9 088 179	50 ea.
			9 088 215	50 ea.

Fast assembly concealed hinge

- ▶ Sensys 8639i W45 / Sensys 8639 W45 / Sensys 8669 W45
- ▶ For 45° face angle, 95° opening angle

Minimum reveal per door

Door thickness mm	Cup distance C mm						
	3.0	4.0	4.5	5.0	6.0	7.0	8.0
15	0.2	0.2	0.2	0.2	0.2	0.2	0.2
16	0.3	0.3	0.3	0.3	0.3	0.3	0.3
17	0.4	0.4	0.4	0.4	0.4	0.4	0.4
18	0.6	0.6	0.6	0.6	0.6	0.5	0.5
19	0.8	0.8	0.8	0.8	0.7	0.7	0.7
20	1.1	1.0	1.0	1.0	1.0	0.9	0.9
21	1.4	1.3	1.3	1.3	1.2	1.2	1.2
22	2.2	1.8	1.7	1.6	1.6	1.5	1.4
23	3.0	2.6	2.4	2.2	2.0	1.9	1.8
24	3.9	3.4	3.2	3.0	2.6	2.4	2.2
25	4.8	4.2	4.0	3.8	3.4	3.0	2.8
26	5.7	5.1	4.8	4.6	4.2	3.8	3.4
27	6.6	6.0	5.7	5.5	5.0	4.5	4.2
28	7.5	6.9	6.6	6.3	5.8	5.3	4.9

Please note:

The table entries refer to doors with an edge radius of 1 mm.

On doors with other radii, the minimum reveal changes as follows:

Radius 0 mm:
Values shown in table + 0.4 mm

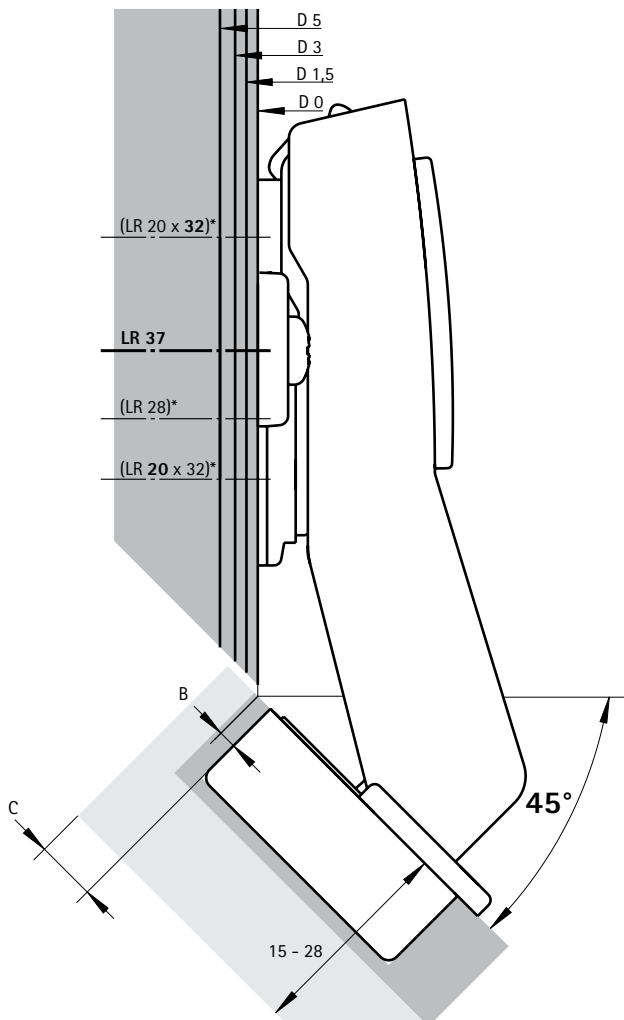
Radius 3 mm:
Values shown in table - 0.6 mm

Note

The drawings below show the hinges including mounting plate distances on a scale of 1:1. Allowing for cup distance C (3 - 8 mm) as well as the minimum reveal, the required mounting plate distance and hole line can be determined by drawing in the door and side panel.

You can visit our Hettich channel on YouTube for further information on how to configure cabinets.

Overlay (B -2 mm) - Scale 1:1



Advice

- ▶ For mounting plates and accessories, see page 90 - 97
- ▶ For example applications, fitting information, installation notes and quality criteria, see page 58 - 60

Fast assembly concealed hinge with integrated Silent System

- ▶ Sensys 8639i W90
- ▶ For 90° face angle, 95° opening angle



- ▶ Concealed hinge with clip on installation and integrated Silent System
- ▶ Quality classification under EN 15570, Level 2
- ▶ For corner cabinets
- ▶ For door thickness 15 - 28 mm
- ▶ Cup diameter 35 mm
- ▶ Cup depth 12.8 mm
- ▶ Integrated adjustment of door offset + 1 mm / - 2 mm
- ▶ Integrated reveal adjustment + 3 mm / - 2 mm
- ▶ Height adjustment at mounting plate
- ▶ Hinge arm material: zinc die-cast nickel plated
- ▶ Hinge cup material: nickel plated steel

Sensys 8639i W90, opening angle 95°

Inset



Cup assembly	Drilling pattern	Mounting hole \varnothing x T mm	Basis B 4 mm	PU
For screwing on TH 52		-	9 088 021	50 ea.
For pressing in TH 53		$\varnothing 10 \times 11$	9 088 039	50 ea.
Fix fast installation THS 55		$\varnothing 10 \times 6$	9 088 075	50 ea.
With premounted expanding sockets TH 58		$\varnothing 10 \times 11$	9 088 087	50 ea.
Flash fast installation TH 54		$\varnothing 10 \times 11$	9 088 057	50 ea.

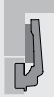
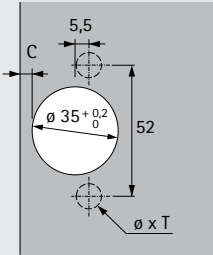
Fast assembly concealed hinge with integrated Silent System

- ▶ Sensys 8639i W90 in obsidian black
- ▶ For 90° face angles, 95° opening angle



- ▶ Concealed hinge with clip on installation and integrated Silent System
- ▶ Quality classification under EN 15570, Level 2
- ▶ For corner cabinets
- ▶ For door thickness of 15 - 28 mm
- ▶ Cup diameter 35 mm
- ▶ Cup depth 12.8 mm
- ▶ Integrated adjustment of door offset + 1 mm / - 2 mm
- ▶ Integrated reveal adjustment + 3 mm / - 2 mm
- ▶ Height adjustment at mounting plate
- ▶ All visible parts in obsidian black
- ▶ Hinge arm material: zinc die-cast in obsidian black
- ▶ Hinge cup material: steel in obsidian black

Sensys 8639i W90, 95° opening angle

Cup assembly	Drilling pattern	Mounting hole ø x T mm	Inset 	PU
For screwing on TH 52		-	9 091 748	50 ea.
With premounted expanding sockets TH 58		ø 10 x 11	9 091 780	50 ea.

Fast assembly concealed hinge without integrated Silent System

- ▶ Sensys 8639 W90
- ▶ For 90° face angle, 95° opening angle



- ▶ Concealed hinge with clip on installation without integrated Silent System
- ▶ Quality classification under EN 15570, Level 2
- ▶ For corner cabinets
- ▶ For door thickness 15 - 28 mm
- ▶ Cup diameter 35 mm
- ▶ Cup depth 12.8 mm
- ▶ Integrated adjustment of door offset + 1 mm / - 2 mm
- ▶ Integrated reveal adjustment + 3 mm / - 2 mm
- ▶ Height adjustment at mounting plate
- ▶ Hinge arm material: zinc die-cast nickel plated
- ▶ Hinge cup material: nickel plated steel

Sensys 8639 W90, opening angle 95°

			Inset	
Cup assembly	Drilling pattern	Mounting hole \varnothing x T mm	Basis B 4 mm	PU
For pressing in TH 53		\varnothing 10 x 11	9 088 123	50 ea.
Fix fast installation THS 55		\varnothing 10 x 6	9 088 141	50 ea.
With premounted expanding sockets TH 58		\varnothing 10 x 11	9 088 159	50 ea.

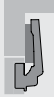
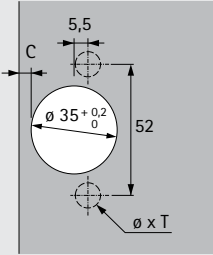
Fast assembly concealed hinge without self closing feature

- ▶ Sensys 8669 W90
- ▶ For 90° face angle, 95° opening angle



- ▶ Hinge with clip on installation without self closing feature
- ▶ For example for Push to open applications
- ▶ Quality classification under EN 15570, Level 2
- ▶ For corner cabinets
- ▶ For door thickness 15 - 28 mm
- ▶ Cup diameter 35 mm
- ▶ Cup depth 12.8 mm
- ▶ Integrated adjustment of door offset + 1 mm / - 2 mm
- ▶ Integrated reveal adjustment + 3 mm / - 2 mm
- ▶ Height adjustment at mounting plate
- ▶ Hinge arm material: zinc die-cast nickel plated
- ▶ Hinge cup material: nickel plated steel

Sensys 8669 W90, opening angle 95°

Cup assembly	Drilling pattern	Mounting hole \varnothing x T mm	Inset 	
For pressing in TH 53		\varnothing 10 x 11	Basis B 4 mm 9 088 199	PU 50 ea.
Fix fast installation THS 55		\varnothing 10 x 6	9 088 217	50 ea.
With premounted expanding sockets TH 58		\varnothing 10 x 11	9 088 229	50 ea.

Fast assembly concealed hinge

- ▶ Sensys 8639i W90 / Sensys 8639 W90 / Sensys 8669 W90
- ▶ For 90° face angle, 95° opening angle

Minimum reveal per door

Door thickness mm	Cup distance C mm					
	3.0	4.0	4.5	5.0	6.0	7.0
15	0.2	0.2	0.2	0.2	0.2	0.2
16	0.3	0.3	0.3	0.3	0.3	0.3
17	0.4	0.4	0.4	0.4	0.4	0.4
18	0.6	0.6	0.6	0.6	0.6	0.5
19	0.8	0.8	0.8	0.8	0.7	0.7
20	1.1	1.0	1.0	1.0	1.0	0.9
21	1.4	1.3	1.3	1.3	1.2	1.2
22	2.2	1.8	1.7	1.6	1.6	1.5
23	3.0	2.6	2.4	2.2	2.0	1.9
24	3.9	3.4	3.2	3.0	2.6	2.4
25	4.8	4.2	4.0	3.8	3.4	3.0
26	5.7	5.1	4.8	4.6	4.2	3.8
27	6.6	6.0	5.7	5.5	5.0	4.5
28	7.5	6.9	6.6	6.3	5.8	5.3

Please note:

The table entries refer to doors with an edge radius of 1 mm.

On doors with other radii, the minimum reveal changes as follows:

Radius 0 mm:

Values shown in table + 0.4 mm

Radius 3 mm:

Values shown in table - 0.6 mm

Note

Calculation of required mounting plate distance D and hole line distance X to be observed:

Depending on the required door offset, cup distance C (3 - 7 mm) and reveal F, the dimensions can be seen in the drawing or table below.

The values stated for the hole line distance X apply when using a cross mounting plate for hole line 37.

Hole line distance X must be adjusted when using other mounting plates.

- LR 28: X - 9 mm

- LR 20 x 32: X - 17 mm / X + 15 mm

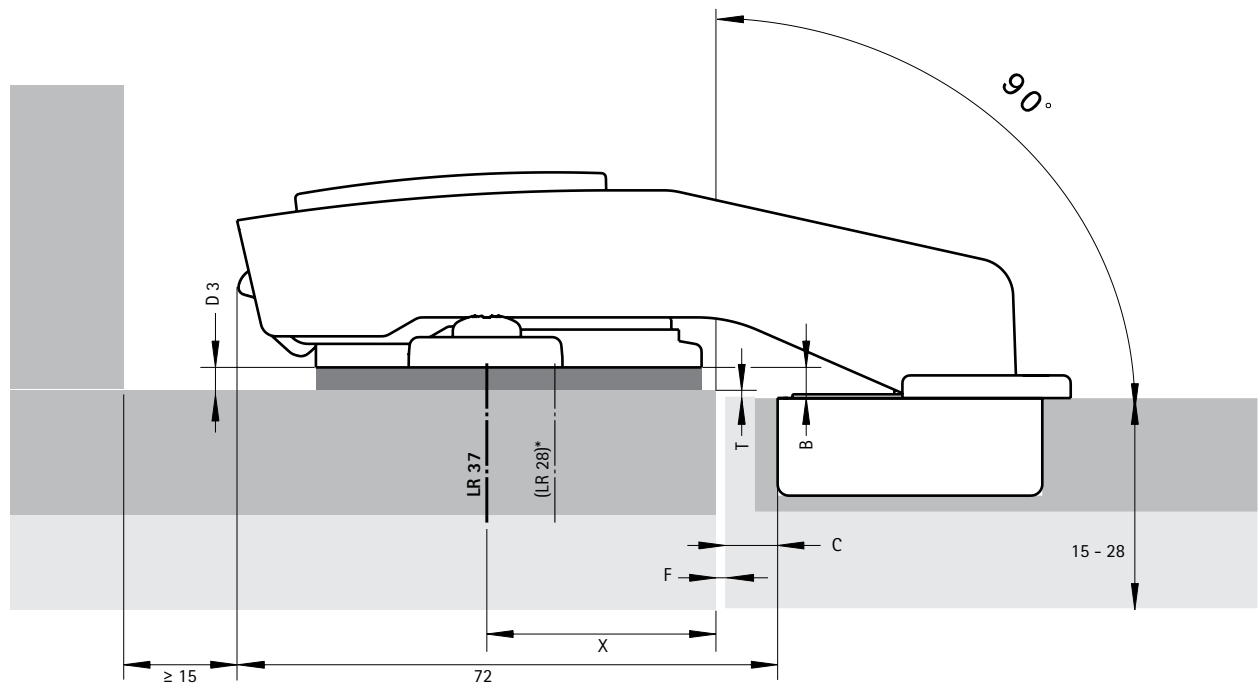
A door offset of 1 mm is recommended. Door offset can subsequently be corrected with the adjusting screw.

Determining hole line distance X mm when using mounting plate for hole line 37

Reveal mm	Cup distance C mm							
	3.0	3.5	4.0	4.5	5.0	5.5	6.0	7.0
0.5	35.0	34.5	34.0	33.5	33.0	32.5	32.0	31.0
1.5	34.0	33.5	33.0	32.5	32.0	31.5	31.0	30.0
2.5	33.0	32.5	32.0	31.5	31.0	30.5	30.0	29.0
3.5	32.0	31.5	31.0	30.5	30.0	29.5	29.0	28.0
4.5	31.0	30.5	30.0	29.5	29.0	28.5	28.0	27.0
5.5	30.0	29.5	29.0	28.5	28.0	27.5	27.0	26.0
6.5	29.0	28.5	28.0	27.5	27.0	26.5	26.0	25.0
7.5	28.0	27.5	27.0	26.5	26.0	25.5	25.0	24.0

Inset (B 4 mm) - Scale 1:1

Distance D = 4 mm - door offset
(the recommended door offset equals 1 mm)



Advice

- ▶ For mounting plates and accessories, see page 90 - 97
- ▶ For example applications, fitting information, installation notes and quality criteria, see page 58 - 60

Fast assembly concealed hinge with integrated Silent System

- ▶ Sensys 8638i for aluminium framed doors
- ▶ 95° opening angle



- ▶ Concealed hinge with clip on installation and integrated Silent System
- ▶ Quality classification under EN 15570, Level 3
- ▶ For 19 mm wide aluminium framed profiles
- ▶ Integrated overlay adjustment + 2 mm / - 2 mm
- ▶ Integrated depth adjustment + 3 mm / - 2 mm
- ▶ Height adjustment at mounting plate
- ▶ Hinge arm material: nickel plated steel
- ▶ Cup hinge material: zinc die-cast nickel plated
- ▶ Including 2 fixing screws

Sensys 8638i, opening angle 95°

		Full overlay	Half overlay	Inset	
Cup assembly	Mounting hole $\varnothing \times T$ mm	Base B 12,5 mm	Base B 3 mm	Base B -4 mm	PU
For screwing on TA 32	-	9 072 524	9 072 525	9 072 526	50 ea.

- ▶ Sensys 8638i for aluminium framed doors in obsidian black
- ▶ 95° opening angle



- ▶ Concealed hinge with clip on installation and integrated Silent System
- ▶ Quality classification under EN 15570, Level 3
- ▶ For 19 mm wide aluminium framed profiles
- ▶ Integrated overlay adjustment + 2 mm / - 2 mm
- ▶ Integrated depth adjustment + 3 mm / - 2 mm
- ▶ Height adjustment at mounting plate
- ▶ All visible parts in obsidian black
- ▶ Hinge arm material: zinc die-cast in obsidian black
- ▶ Hinge cup material: steel in obsidian black
- ▶ Including 2 fixing screws

Sensys 8638i, opening angle 95°

		Full overlay	
Cup assembly	Mounting hole $\varnothing \times T$ mm	Base B 12,5 mm	PU
For screwing on TA 32	-	9 091 744	

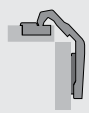
Fast assembly concealed hinge

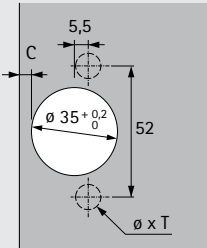
- ▶ Intermat 9930 with cup in Sensys design for corner cabinet folding doors
- ▶ 50° / 65° opening angle



- ▶ Concealed hinge with clip on installation
- ▶ Quality classification under EN 15570, Level 2
- ▶ Cup diameter 35 mm
- ▶ Cup depth 12.8 mm
- ▶ Diagonal adjustment + 9.5 mm / - 9.5 mm
- ▶ Integrated overlay adjustment, see sketch
- ▶ For integrated height adjustment, see sketch
- ▶ Height adjustment at mounting plate
- ▶ Hinge arm material: zinc die-cast nickel plated
- ▶ Hinge cup material: nickel plated steel

Intermat 9930, opening angle 50° / 65°

			Overlay	
				
Cup assembly	Drilling pattern	Mounting hole \varnothing x T mm	Basis B 24 mm	PU

For screwing on TH 52		-	9 090 109	50 ea.
For pressing in TH 53		\varnothing 10 x 11	9 090 110	50 ea.
Fix fast installation THS 55		\varnothing 10 x 6	9 090 113	50 ea.
With premounted expanding sockets TH 58		\varnothing 10 x 11	9 090 107	50 ea.
Flash fast installation TH 54		\varnothing 10 x 11	9 090 111	50 ea.

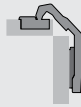
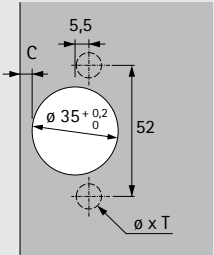
Fast assembly concealed hinge

- ▶ Intermat 9930 with cup in Sensys design for corner cabinet folding doors in obsidian black
- ▶ 50° / 65° opening angle



- ▶ Concealed hinge with clip on installation
- ▶ Quality classification under EN 15570, Level 2
- ▶ Cup diameter 35 mm
- ▶ Cup depth 12.8 mm
- ▶ Diagonal adjustment + 9.5 mm / - 9.5 mm
- ▶ Integrated overlay adjustment, see sketch
- ▶ For integrated height adjustment, see sketch
- ▶ Height adjustment at mounting plate
- ▶ All visible parts in obsidian black
- ▶ Hinge arm material: zinc die-cast in obsidian black
- ▶ Hinge cup material: steel in obsidian black

Intermat 9930, opening angle 50° / 65°

Cup assembly	Drilling pattern	Mounting hole \varnothing x T mm	Overlay 	
For screwing on TH 52		-	Basis B 24 mm	PU
With premounted expanding sockets TH 58		\varnothing 10 x 11	9 116 398	50 ea.

Fast assembly concealed hinge

- ▶ **Intermat 9930 with cup in Sensys design for corner cabinet folding doors**
- ▶ **50° / 65° opening angle**

Version A - Cup drill holes in one door

- ▶ All cup drillings in one door
- ▶ Hairline reveal can be provided between door units
- ▶ No cutaway in cup holes necessary
- ▶ Same door width for both elements
- ▶ Diagonal adjustment capability for easy adjustment to door thickness
- ▶ Same cup distance on both sides of side mounted door
- ▶ Hole line distance of 37 mm in the folding door panel
- ▶ For door thickness 16 - 21 mm
- ▶ Cup distance C 3 - 6 mm

Version B - Cup drill holes in both doors

- ▶ Both door units are the same
- ▶ No cutaway in cup holes necessary
- ▶ Diagonal adjustment capability for easy adjustment to door thickness
- ▶ Hole line distance of 41 mm in the side mounted door
- ▶ For door thickness 16 - 21 mm
- ▶ Cup distance C 3 - 6 mm

Version A - Calculation of door width

Door width = carcase width - reveal F - door thickness

Version B - Calculation of door width

Door width = carcase width - reveal F - door thickness - 5 mm

Version A - Calculation of mounting plate distance

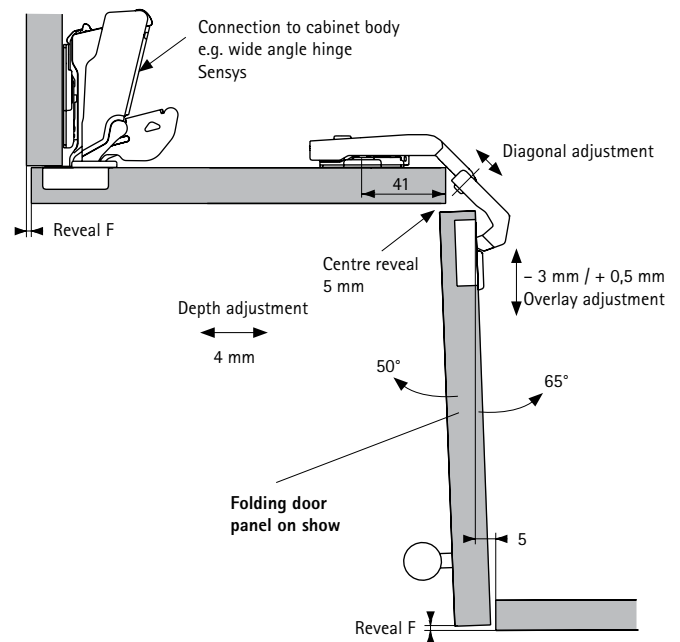
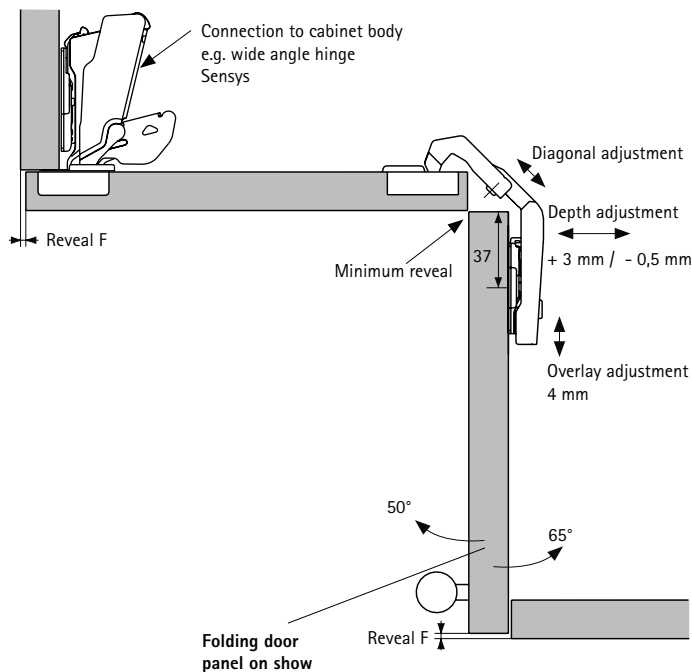
For cup distance C = 4.5 mm: Distance D = 0 mm
 For cup distance C = 3.0 mm: Distance D = 1.5 mm

Differing cup distances can be evened out by depth and diagonal adjustment capability.

Version B - Calculation of mounting plate distance

For cup distance C = 4.5 mm: Distance D = 0 mm
 For cup distance C = 3.0 mm: Distance D = 1.5 mm

Differing cup distances can be evened out by depth and diagonal adjustment capability.



Advice

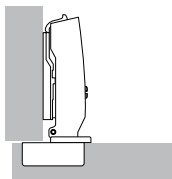
For mounting plates and accessories, see page 90 - 97

For mounting solutions, fitting information, installation notes and quality criteria, see page 58 - 60

Technical information

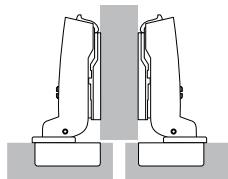
- ▶ Sensys
- ▶ Fitting information

Full overlay door



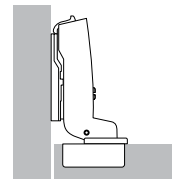
The door is in front of the carcass side and only a small gap remains at the side within which the door can open reliably. Alternatively, the door can also be overlaid fully. In this case sufficient space must be allowed at the side for the required minimum reveal. Straight hinges are used.

Half overlay door



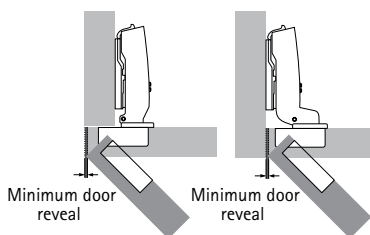
This is where two doors are positioned in front of a cabinet centre panel, with the required overall reveal between them (at least 2 x minimum reveal). In other words, each door has a smaller overlay and cranked hinges are therefore used.

Inset door



The door is positioned inside the carcass, i.e. next to the carcass side. Here too, a gap is needed so that the door can open reliably. Highly cranked hinges are used here. For an inset door, the mounting plate must be set back by the door thickness + 1 mm as well as by any any chosen door offset.

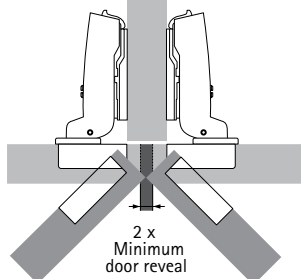
Minimum reveal



For full overlay and inset doors

The minimum reveal (also known as the door clearance or minimum clearance) is the space required at the side so that the door can open. The size of the minimum reveal depends on the cup distance C, the door thickness and the type of hinge selected. Radii on the door edges reduce the door clearance. The minimum reveal is shown in the table for the respective hinge types.

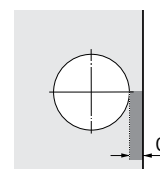
Minimum reveal



For half overlay doors

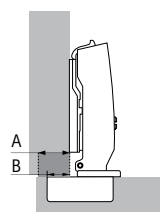
The total reveal selected between the doors must be at least twice the door clearance. Both doors can then be opened at the same time.

Cup distance C



Cup distance C is the distance between the door edge and the edge of the cup drilling. The greater the distance selected for cup distance C, the smaller door clearance will be, i.e. the minimum reveal required.

Overlay / Base



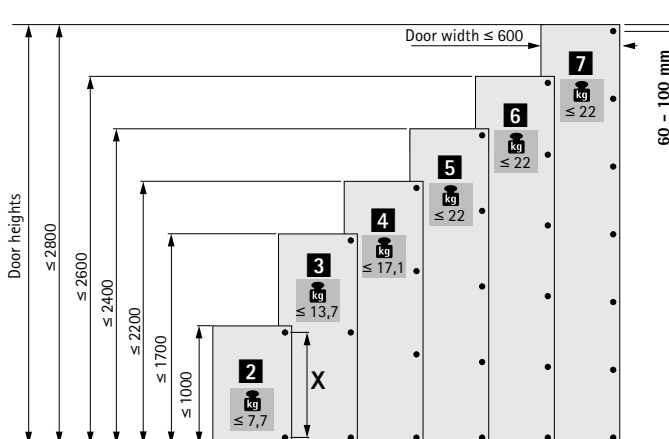
A = Overlay
B = Base

Overlay refers to the projection of the door in front of the carcass side. Base refers to the projection of the cup in front of the carcass side for a mounting plate distance of 0 mm.

Number of hinges per door

Door width, height and weight as well as the material quality of the door are decisive factors determining the number of hinges required.

The factors encountered in practice differ widely from case to case. For this reason, the number of hinges specified in the diagram must be understood as a guide only. If in doubt, it is recommended to carry out a trial mounting and adjust the number of hinges as necessary. For reasons of stability, space X between the hinges must always be made as large as possible. The space X must be at least 280 mm.



Technical information

- ▶ Sensys
- ▶ Fitting information

General calculation of distances

Mounting plates are available in various distances. The effective height of the mounting plate is defined by distance D. Distance D is embossed on the top of each mounting plate. A larger distance D reduces overlay for full and half overlay applications. On inset doors, a larger distance D increases the door reveal. Before determining the required distance,

check whether the desired reveal is equal to or greater than the required minimum reveal. If the desired reveal is less than the required minimum reveal, the required minimum reveal can be reduced by increasing cup distance C or by producing radii on the door edges.

Calculation of distances

For full overlay and half overlay doors

The required distance D can be determined after checking the minimum reveal. Ideally, the door reveal and cup distance should be selected to produce a distance D that is available as mounting plate.

Example: Working out distances according to the table

Overlay = 14 mm and cup distance C = 4.5 mm yield a distance D equal to 3.0 mm.

Example: Working out distances using the calculation formula

Hinge for full overlay door, base B = 12.5 mm
 Distance D = Cup distance C + base B - overlay A
 Distance D = 4.5 mm + 12.5 mm - 14 mm = 3.0 mm

Intermediate distances not available as mounting plate distances are achieved by adjusting the hinge overlay.

Overlay mm	Cup distance C mm					
	3,0	4,0	4,5	5,0	6,0	7,0
	Distance D mm					
10	5,5	6,5	7,0	7,5	8,5	9,5
11	4,5	5,5	6,0	6,5	7,5	8,5
12	3,5	4,5	5,0	5,5	6,5	7,5
13	2,5	3,5	4,0	4,5	5,5	6,5
14	1,5	2,5	3,0	3,5	4,5	5,5
15	0,5	1,5	2,0	2,5	3,5	4,5
16		0,5	1,0	1,5	2,5	3,5
17			0,0	0,5	1,5	2,5
18					0,5	1,5
19						0,5

Calculation of distances

For inset doors

When calculating the mounting plate distance using the table for the inset, allowance is automatically made for the reveal to be designated as the minimum reveal in relation to cup distance C and the door thickness in the minimum reveal table. If a reveal is to be produced that is larger than this minimum reveal, select a mounting plate distance of the appropriate size.

Example: Working out distances according to the table

According to the table, a door thickness = 20 mm and cup distance C = 4.5 mm produce a mounting plate distance of 1.5 mm. This gives the required minimum reveal, for example, of 1 mm. If a reveal of 2.5 mm is preferred instead, select a mounting plate distance which is 1.5 mm larger. In this example, therefore, a distance of 3 mm instead of 1.5 mm.

Example: Working out distances using the calculation formula

Hinge for inset application, base value B = - 4 mm
 Distance D = cup distance C + base B + reveal F
 Distance D = 4.5 mm - 4 mm + 1 mm = 1.5 mm

Intermediate distances not available as mounting plate distances are achieved by adjusting the overlay adjustment of the hinge.

Door thickness mm	Cup distance C mm					
	3,0	4,0	4,5	5,0	6,0	7,0
	Distance D mm					
15		0,2	0,7	1,2	2,2	3,2
16		0,3	0,8	1,3	2,3	3,3
17		0,4	0,9	1,4	2,4	3,4
18		0,6	1,1	1,6	2,6	3,5
19		0,8	1,3	1,8	2,7	3,7
20	0,1	1,0	1,5	2,0	3,0	3,9
21	0,4	1,3	1,8	2,3	3,2	4,2
22	1,2	1,8	2,2	2,6	3,6	4,5

Quality criteria

► Concealed hinges

Quality that meets all the demands

Quality that meets all the demands

The quality of hinges is subject to a process of continuous monitoring. Hettich fittings comply with the national and international quality standards of the markets our customers operate in. The diagrams below show examples of the principles behind some of the testing processes.

Application

Hettich hinges can be used in living room, kitchen, bathroom and office furniture.

Load capacity

The quality levels indicated on products comply with the requirements of EN 15570 and satisfy the overload tests at the specified level. We will be pleased to provide any further information you may require.

Corrosion test

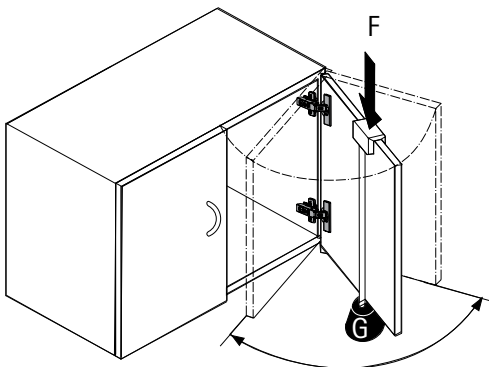
Hettich hinges satisfy the corrosion requirements under EN ISO 9227-2012 in accordance with the 48 h neutral salt spray test (NSS) as well as DIN EN ISO 6270-2-2012 in accordance with the 96 h alternating condensation water climate test with alternating air humidity and temperature (AHT).

Quality assurance

The processes for assuring the quality of Hettich hinges are certified under EN ISO 9001, Cert. No. DE8000209.

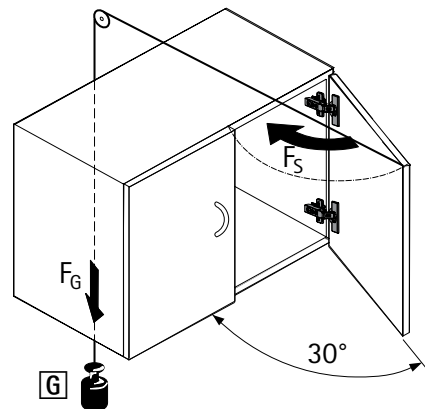
Endurance test

The door is subjected to a specific number of opening and closing cycles.



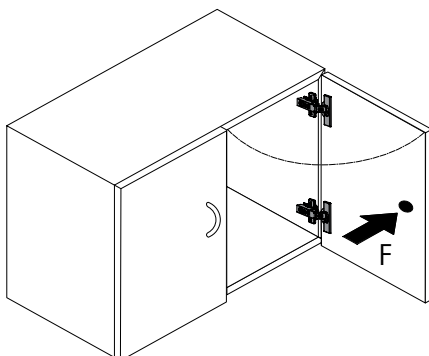
Closing test

The door is opened by 30° and pushed closed from this position by means of a pulley and falling weight.



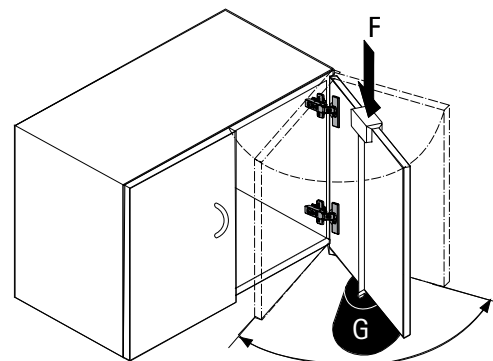
Horizontal test

The door is over opened with a defined test force F. (This test only applies to hinges with an opening angle < 135°.)



Vertical test

The door is subjected to a specific number of opening and closing cycles under a defined additional load G.



Concealed hinges

► Intermat fast assembly concealed hinge



Sound quality from the service focused partner: Intermat

Anyone opting for Intermat hinges also benefits from the many advantages in a partnership with Hettich.

For example, from decades of experience and continuous product improvement, high delivery reliability as well as the fast availability of Hettich products as a result of our own subsidiaries across the globe.



Tried and proven in millions of applications: the right decision
Intermat gives you unbeatable value for money and top quality "Made in Germany".



Versatile and future proof
This give you flexibility in quickly meeting customer demands or new trends in furniture design.



Further sales potential for you
Differentiate between furniture ranges the simple way with different hinge functionalities and optional accessories.



Installation and setup: fast and secure
Ergonomic, concealed clip on installation for convenient fast installation with protection against accidental detachment.

Fast assembly concealed hinge

- ▶ **Intermat**
- ▶ **Range summary**



Intermat 110° standard hinge

- ▶ Intermat 9943 / 9973
- ▶ Opening angle 110°

64 - 66



Intermat 95° thick door hinge

- ▶ Intermat 9936
- ▶ For doors in thicknesses up to 32 mm

68 - 70



Intermat 95° special thick door hinge

- ▶ Intermat 9935
- ▶ For doors in thicknesses up to 43 mm

72 - 74



Sensys 165° zero protrusion hinge

- ▶ Sensys 8657 / 8687
- ▶ For unobstructed access to storage space

76 - 78



Intermat W45 angle hinge

- ▶ Intermat 9936 W45
- ▶ For face angle 45°

80 - 81



Intermat W90 angle hinge

- ▶ Intermat 9936 W90
- ▶ For 90° face angle applications

82 - 83



Intermat glass door hinge

- ▶ Intermat 9904
- ▶ For glass doors

84 - 85



Intermat corner unit hinge

- ▶ Intermat 9930
- ▶ For corner cabinet folding doors

86 - 87



Mounting plates System 8099

- ▶ For Sensys and Intermat

90 - 92



Accessories

- ▶ For Sensys/Intermat

93 - 97



Silent System

- ▶ Optional Silent System for Intermat

100 - 103


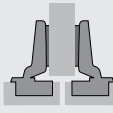
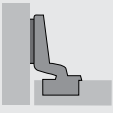
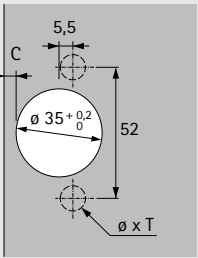
Fast assembly concealed hinge

- ▶ **Intermat 9943**
- ▶ **Opening angle 110°**



- ▶ Concealed hinge with clip on installation
- ▶ Quality classification under EN 15570, Level 3
- ▶ For door thickness 15 - 25 mm
- ▶ Cup diameter 35 mm
- ▶ Cup depth 11.6 mm
- ▶ Integrated overlay adjustment + 2 mm / - 2 mm
- ▶ Integrated depth adjustment + 2.5 mm / - 1.5 mm
- ▶ Height adjustment at mounting plate
- ▶ Hinge arm material: nickel plated steel
- ▶ Hinge cup material: nickel plated steel

Intermat 9943, opening angle 110°

Cup assembly	Drilling pattern	Mounting hole ϕ x T mm	Full overlay	Half overlay	Inset	PU
						
For screwing on TH 42		-	Base B 12,5 mm	Base B 3 mm	Base B -3,5 mm	200 ea.
For pressing in TH 43		ϕ 10 x 11	1 029 518	1 030 620	1 030 922	200 ea.
With premounted expanding sockets TH 48		ϕ 10 x 6	1 029 520	1 030 622	1 030 924	200 ea.
Flash fast installation TH 44		ϕ 10 x 11	9 043 640	9 043 641	9 043 642	200 ea.
				1 031 071		200 ea.
				9 075 108	9 075 122	50 ea.

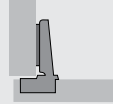
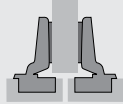
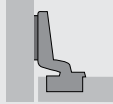
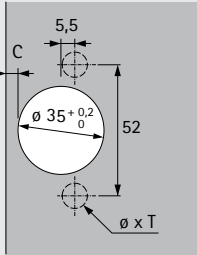
Fast assembly concealed hinge without self closing feature

- ▶ **Intermat 9973**
- ▶ **Opening angle 110°**



- ▶ Hinge with clip on installation without self closing feature
- ▶ For example for Push to open applications
- ▶ Quality classification under EN 15570, Level 3
- ▶ For door thickness 15 - 25 mm
- ▶ Cup diameter 35 mm
- ▶ Cup depth 11.6 mm
- ▶ Integrated overlay adjustment + 2 mm / - 2 mm
- ▶ Integrated depth adjustment + 2.5 mm / - 1.5 mm
- ▶ Height adjustment at mounting plate
- ▶ Hinge arm material: nickel plated steel
- ▶ Hinge cup material: nickel plated steel

Intermat 9973, opening angle 110°

Cup assembly	Drilling pattern	Mounting hole \varnothing x T mm	Full overlay	Half overlay	Inset	PU
						
For screwing on TH 42		-	Base B 12,5 mm	Base B 3 mm	Base B -3,5 mm	50 ea.
For pressing in TH 43		\varnothing 10 x 11	9 043 361	9 072 563		50 ea.
With premounted expanding sockets TH 48		\varnothing 10 x 11	9 072 569	9 072 570	9 072 571	50 ea.

► **Intermat 9943 / 9973**

► **Opening angle 110°**

Minimum reveal per door

Door thickness mm	Cup distance C mm				
	3.0	4.0	4.5	5.0	6.0
15	0.4	0.4	0.4	0.4	0.4
16	0.6	0.5	0.5	0.5	0.5
17	0.8	0.7	0.7	0.7	0.7
18	1.0	1.0	1.0	1.0	0.9
19	1.4	1.3	1.3	1.2	1.2
20	1.7	1.7	1.6	1.6	1.5
21	2.2	2.1	2.0	2.0	1.9
22	2.9	2.6	2.5	2.4	2.3
23	3.7	3.3	3.2	3.0	2.8
24	4.5	4.1	3.9	3.7	3.4
25	5.4	4.9	4.7	4.5	4.1

Please note:

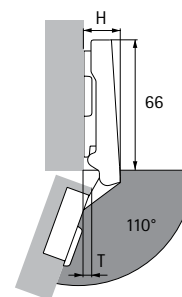
The table entries refer to doors with an edge radius of 1 mm.

On doors with other radii, the minimum reveal changes as follows:

Radius 0 mm:
Value in table + 0.4 mm

Radius 3 mm:
Value in table - 0.8 mm

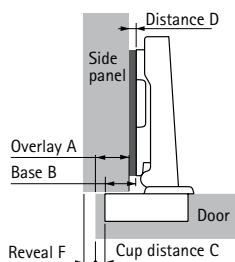
Protrusions / installed depth



Hinge protrusion H / door protrusion T for distance D = 0 mm and cup distance C = 3 mm

Door mounting option	H mm	T mm
Full overlay	19.5	7.5
Half overlay	29.0	17.0
Inset	35.5	23.5

Full overlay

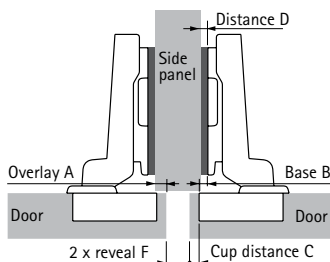


$$\text{Distance D} = \text{C} + \text{B} - \text{A}$$

$$= \text{cup distance C} + 12.5 \text{ mm} - \text{overlay A}$$

Overlay mm	Cup distance C mm				
	3.0	4.0	4.5	5.0	6.0
Distance D mm					
10	5.5	6.5	7.0	7.5	8.5
11	4.5	5.5	6.0	6.5	7.5
12	3.5	4.5	5.0	5.5	6.5
13	2.5	3.5	4.0	4.5	5.5
14	1.5	2.5	3.0	3.5	4.5
15	0.5	1.5	2.0	2.5	3.5
16		0.5	1.0	1.5	2.5
17			0.0	0.5	1.5
18					0.5

Half overlay

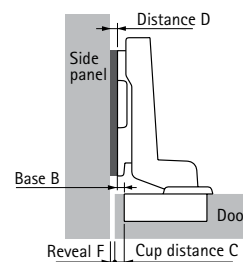


$$\text{Distance D} = \text{C} + \text{B} - \text{A}$$

$$= \text{cup distance C} + 3 \text{ mm} - \text{overlay A}$$

Overlay mm	Cup distance C mm				
	3.0	4.0	4.5	5.0	6.0
Distance D mm					
0.5	5.5	6.5	7.0	7.5	8.5
1.5	4.5	5.5	6.0	6.5	7.5
2.5	3.5	4.5	5.0	5.5	6.5
3.5	2.5	3.5	4.0	4.5	5.5
4.5	1.5	2.5	3.0	3.5	4.5
5.5	0.5	1.5	2.0	2.5	3.5
6.5		0.5	1.0	1.5	2.5
7.5			0.0	0.5	1.5
8.5					0.5

Inset



$$\text{Distance D} = \text{C} + \text{B} + \text{F}$$

$$= \text{cup distance C} - 3.5 \text{ mm} + \text{reveal F}$$

Door thickness mm	Cup distance C mm				
	3.0	4.0	4.5	5.0	6.0
Distance D mm					
15	0.9	1.4	1.9	2.9	
16	0.1	1.0	1.5	2.0	3.0
17	0.3	1.2	1.7	2.2	3.2
18	0.5	1.5	2.0	2.5	3.4
19	0.9	1.8	2.3	2.7	3.7
20	1.2	2.2	2.6	3.1	4.0
21	1.7	2.6	3.0	3.5	4.3
22	2.4	3.1	3.5	3.9	4.8
23	3.2	3.8	4.2	4.5	5.3
24	4.0	4.6	4.9	5.2	5.9
25	4.9	5.4	5.7	6.0	6.6

Advice

- For mounting plates and accessories, see page 90 - 97
- For fitting information and quality criteria, see page 88 - 89


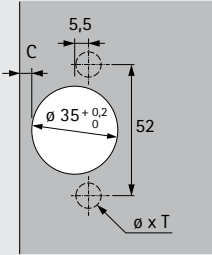
Fast assembly concealed hinge

- ▶ Intermat 9936 for doors in thicknesses up to 32 mm
- ▶ 95° opening angle



- ▶ Concealed hinge with clip on installation
- ▶ Quality classification under EN 15570, Level 2
- ▶ For door thickness 14 - 32 mm
- ▶ Cup diameter 35 mm
- ▶ Cup depth 10.5 mm
- ▶ Integrated overlay adjustment + 2 mm / - 2 mm
- ▶ Integrated depth adjustment + 2.5 mm / - 1.5 mm
- ▶ Height adjustment at mounting plate
- ▶ Hinge arm material: nickel plated steel
- ▶ Hinge cup material: nickel plated steel

Intermat 9936, opening angle 95°

Cup assembly	Drilling pattern	Mounting hole \varnothing x T mm	Full overlay 	PU
For screwing on TH 42		-	Base B 12,5 mm	200 ea.
For pressing in TH 43		$\varnothing 10 \times 11$	1 058 365	200 ea.
With premounted expanding sockets TH 48		$\varnothing 10 \times 11$	1 058 371	9 043 629

Fast assembly concealed hinge

- ▶ **Intermat 9936** for doors in thicknesses up to 32 mm
- ▶ **95° opening angle**

Minimum reveal per door

Door thickness mm	Cup distance C mm						
	3.0	4.0	4.5	5.0	6.0	7.0	8.0
14	0.2	0.2	0.2	0.2	0.2	0.2	0.2
15	0.3	0.2	0.2	0.2	0.2	0.2	0.2
16	0.4	0.4	0.4	0.4	0.4	0.4	0.4
17	0.5	0.5	0.5	0.5	0.5	0.5	0.5
18	0.7	0.7	0.7	0.7	0.6	0.6	0.6
19	0.9	0.9	0.9	0.8	0.8	0.8	0.8
20	1.1	1.1	1.1	1.1	1.0	1.0	1.0
21	1.4	1.3	1.3	1.3	1.3	1.2	1.2
22	1.7	1.6	1.6	1.6	1.5	1.5	1.5
23	2.0	1.9	1.9	1.9	1.8	1.8	1.7
24	2.3	2.3	2.2	2.2	2.1	2.1	2.0
25	2.8	2.7	2.6	2.6	2.5	2.4	2.4
26	3.3	3.1	3.1	3.0	2.9	2.8	2.7
27	4.2	3.7	3.6	3.5	3.3	3.2	3.1
28	5.0	4.5	4.3	4.1	3.9	3.7	3.6
29	5.9	5.4	5.2	4.9	4.6	4.3	4.1
30	6.8	6.3	6.0	5.8	5.3	5.0	4.7
31	7.8	7.2	6.9	6.6	6.1	5.7	5.4
32	8.7	8.1	7.8	7.5	7.0	6.5	6.1

Please note:

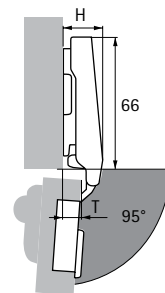
The table entries refer to doors with an edge radius of 1 mm.

On doors with other radii, the minimum reveal changes as follows:

Radius 0 mm:
Value in table + 0.4 mm

Radius 3 mm:
Value in table - 0.8 mm

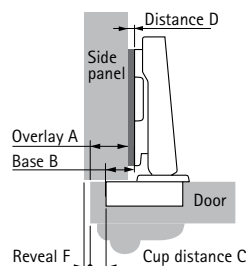
Protrusions / installed depth



Hinge protrusion H / door protrusion T for distance D = 0 mm and cup distance C = 3 mm

Door mounting option	H mm	T mm
Full overlay	19.5	10.0

Full overlay



$$\text{Distance D} = \text{C} + \text{B} - \text{A}$$

= cup distance C + 12.5 mm - overlay A

Overlay mm	Cup distance C mm						
	3.0	4.0	4.5	5.0	6.0	7.0	8.0
	Distance D mm						
10	5.5	6.5	7.0	7.5	8.5	9.5	10.5
11	4.5	5.5	6.0	6.5	7.5	8.5	9.5
12	3.5	4.5	5.0	5.5	6.5	7.5	8.5
13	2.5	3.5	4.0	4.5	5.5	6.5	7.5
14	1.5	2.5	3.0	3.5	4.5	5.5	6.5
15	0.5	1.5	2.0	2.5	3.5	4.5	5.5
16		0.5	1.0	1.5	2.5	3.5	4.5
17			0.0	0.5	1.5	2.5	3.5
18					0.5	1.5	2.5
19						0.5	1.5
20							0.5

Advice

- ▶ For mounting plates and accessories, see page 90 - 97
- ▶ For fitting information and quality criteria, see page 88 - 89

Fast assembly concealed hinge

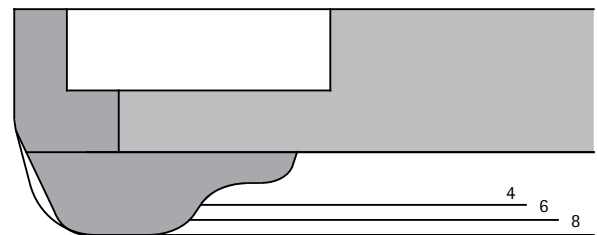
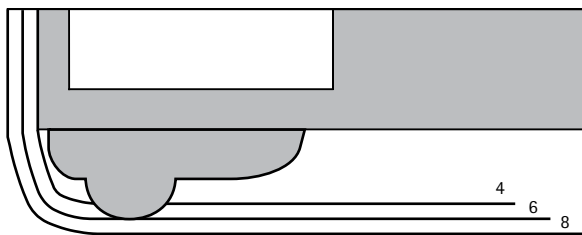
- ▶ **Intermat 9936 for doors in thicknesses up to 32 mm**
- ▶ **95° opening angle**

Door contours for minimum reveal application - scale 1:1

The values shown in the Minimum reveal table refer to non-rounded door edges.
 Reveal values improve with chamfered door edges. To obtain a minimum reveal application, the chosen door contour must lie within the template.
 All contours protruding beyond the template will increase the reveal accordingly.



Example of minimum reveal application



Example of minimum reveal application

Door thickness	16 mm
Profile thickness	12 mm
Overall thickness	28 mm
Cup distance C	6 mm

Example of minimum reveal application

Door thickness	19 mm
Profile thickness	11 mm
Overall thickness	30 mm
Cup distance C	8 mm

Fast assembly concealed hinge

- ▶ Intermat 9935 for doors in thicknesses up to 43 mm
- ▶ 95° opening angle



- ▶ Concealed hinge with clip on installation
- ▶ Quality classification under EN 15570, Level 2
- ▶ For door thickness 16 - 43 mm
- ▶ Cup diameter 40 mm
- ▶ Cup depth 13.7 mm
- ▶ Integrated overlay adjustment + 2 mm / - 2 mm
- ▶ Integrated depth adjustment + 2.5 mm / - 1.5 mm
- ▶ Height adjustment at mounting plate
- ▶ Hinge arm material: zinc die-cast nickel plated
- ▶ Cup hinge material: zinc die-cast nickel plated

Intermat 9935, opening angle 95°

		Full overlay	Half overlay	Inset		
Cup assembly	Drilling pattern	Mounting hole ϕ x T mm	Base B 18 mm	Base B 8 mm	Base B -3 mm	PU
For screwing on TH 22 / L		-	9 117 716	9 117 717	9 117 718	10 ea.

Fast assembly concealed hinge

- ▶ Intermat 9935 for doors in thicknesses up to 43 mm
- ▶ 95° opening angle

Minimum reveal per door

Door thickness mm	Cup distance C mm									
	3.0	4.0	4.5	5.0	6.0	7.0	8.0	9.0	10.0	11.0
26	0.9	0.9	0.9	0.9	0.9	0.9	0.9	0.9	0.9	0.8
27	1.1	1.1	1.1	1.1	1.1	1.1	1.0	1.0	1.0	1.0
28	1.3	1.3	1.3	1.3	1.3	1.2	1.2	1.2	1.2	1.2
29	1.5	1.5	1.5	1.5	1.5	1.4	1.4	1.4	1.4	1.4
30	1.7	1.7	1.7	1.7	1.7	1.6	1.6	1.6	1.6	1.6
31	2.0	2.0	1.9	1.9	1.9	1.9	1.8	1.8	1.8	1.8
32	2.3	2.2	2.2	2.2	2.1	2.1	2.1	2.1	2.0	2.0
33	3.1	2.5	2.5	2.5	2.4	2.4	2.3	2.3	2.3	2.2
34	4.1	3.4	3.0	2.7	2.7	2.7	2.6	2.6	2.5	2.5
35	5.0	4.3	4.0	3.7	3.0	3.0	2.9	2.9	2.8	2.8
36	6.0	5.3	4.9	4.6	4.0	3.4	3.2	3.2	3.1	3.1
37	7.0	6.2	5.9	5.5	4.9	4.3	3.7	3.5	3.4	3.4
38	7.9	7.2	6.8	6.5	5.8	5.2	4.6	4.1	3.8	3.7
39	8.9	8.1	7.8	7.4	6.7	6.1	5.5	5.0	4.5	4.1
40	9.9	9.1	8.7	8.4	7.7	7.0	6.4	5.8	5.3	4.8
41	10.9	10.1	9.7	9.3	8.6	8.0	7.3	6.7	6.2	5.7
42	11.9	11.1	10.7	10.3	9.6	8.9	8.3	7.7	7.1	6.6
43	12.8	12.0	11.7	11.3	10.5	9.8	9.2	8.6	8.0	7.4

Please note:

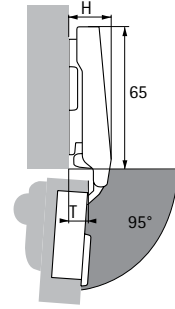
The table entries refer to doors with an edge radius of 1 mm.

On doors with other radii, the minimum reveal changes as follows:

Radius 0 mm:
Value in table + 0.4 mm

Radius 3 mm:
Value in table - 0.8 mm

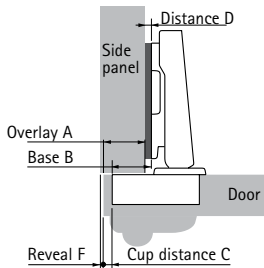
Protrusions / installed depth



Hinge protrusion H / door protrusion T for distance D = 0 mm and cup distance C = 3 mm

Door mounting option	H mm	T mm
Full overlay	20.0	10.5
Half overlay	30.0	20.5
Inset	41.0	31.5

Full overlay

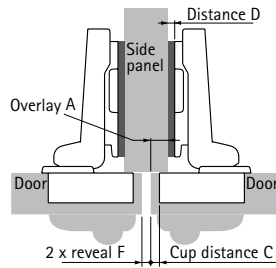


$$\text{Distance D} = \text{C} + \text{B} - \text{A}$$

$$= \text{cup distance C} + 18 \text{ mm} - \text{overlay A}$$

Overlay mm	Cup distance C mm									
	3.0	4.0	4.5	5.0	6.0	7.0	8.0	9.0	10.0	11.0
Distance D mm										
12	9.0	10.0	10.5	11.0	12.0	13.0	14.0	15.0	16.0	17.0
13	8.0	9.0	9.5	10.0	11.0	12.0	13.0	14.0	15.0	16.0
14	7.0	8.0	8.5	9.0	10.0	11.0	12.0	13.0	14.0	15.0
15	6.0	7.0	7.5	8.0	9.0	10.0	11.0	12.0	13.0	14.0
16	5.0	6.0	6.5	7.0	8.0	9.0	10.0	11.0	12.0	13.0
17	4.0	5.0	5.5	6.0	7.0	8.0	9.0	10.0	11.0	12.0
18	3.0	4.0	4.5	5.0	6.0	7.0	8.0	9.0	10.0	11.0
19	2.0	3.0	3.5	4.0	5.0	6.0	7.0	8.0	9.0	10.0
20	1.0	2.0	2.5	3.0	4.0	5.0	6.0	7.0	8.0	9.0
21	0.0	1.0	1.5	2.0	3.0	4.0	5.0	6.0	7.0	8.0
22		0.0	0.5	1.0	2.0	3.0	4.0	5.0	6.0	7.0
23				0.0	1.0	2.0	3.0	4.0	5.0	6.0
24					0.0	1.0	2.0	3.0	4.0	5.0
25						0.0	1.0	2.0	3.0	4.0
26							0.0	1.0	2.0	3.0
27								0.0	1.0	2.0
28									0.0	1.0
29										0.0

Half overlay

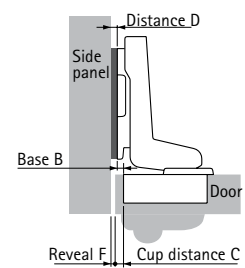


$$\text{Distance D} = \text{C} + \text{B} - \text{A}$$

$$= \text{cup distance C} + 8 \text{ mm} - \text{overlay A}$$

Overlay mm	Cup distance C mm									
	3.0	4.0	4.5	5.0	6.0	7.0	8.0	9.0	10.0	11.0
Distance D mm										
2	9.0	10.0	10.5	11.0	12.0	13.0	14.0	15.0	16.0	17.0
3	8.0	9.0	9.5	10.0	11.0	12.0	13.0	14.0	15.0	16.0
4	7.0	8.0	8.5	9.0	10.0	11.0	12.0	13.0	14.0	15.0
5	6.0	7.0	7.5	8.0	9.0	10.0	11.0	12.0	13.0	14.0
6	5.0	6.0	6.5	7.0	8.0	9.0	10.0	11.0	12.0	13.0
7	4.0	5.0	5.5	6.0	7.0	8.0	9.0	10.0	11.0	12.0
8	3.0	4.0	4.5	5.0	6.0	7.0	8.0	9.0	10.0	11.0
9	2.0	3.0	3.5	4.0	5.0	6.0	7.0	8.0	9.0	10.0
10	1.0	2.0	2.5	3.0	4.0	5.0	6.0	7.0	8.0	9.0
11	0.0	1.0	1.5	2.0	3.0	4.0	5.0	6.0	7.0	8.0
12		0.0	0.5	1.0	2.0	3.0	4.0	5.0	6.0	7.0
13				0.0	1.0	2.0	3.0	4.0	5.0	6.0
14					0.0	1.0	2.0	3.0	4.0	5.0
15						0.0	1.0	2.0	3.0	4.0
16							0.0	1.0	2.0	3.0
17								0.0	1.0	2.0
18									0.0	1.0
19										0.0

Inset



$$\text{Distance D} = \text{C} + \text{B} + \text{F}$$

$$= \text{cup distance C} - 3 \text{ mm} + \text{reveal F}$$

Door thickness mm	Cup distance C mm									
	3.0	4.0	4.5	5.0	6.0	7.0	8.0	9.0	10.0	11.0
Distance D mm										
26	0.9	1.9	2.4	2.9	3.9	4.9	5.9	6.9	7.9	8.8
27	1.1	2.1	2.6	3.1	4.1	5.1	6.0	7.0	8.0	9.0
28	1.3	2.3	2.8	3.3	4.3	5.2	6.2	7.2	8.2	9.2
29	1.5	2.5	3.0	3.5	4.5	5.4	6.4	7.4	8.4	9.4
30	1.7	2.7	3.2	3.7	4.7	5.6	6.6	7.6	8.6	9.6
31	2.0	3.0	3.4	3.9	4.9	5.9	6.8	7.8	8.8	9.8
32	2.3	3.2	3.7	4.2	5.1	6.1	7.1	8.1	9.0	10.0
33	3.1	3.5	4.0	4.5	5.4	6.4	7.3	8.3	9.3	10.2
34	4.1	4.4	4.5	4.7	5.7	6.7	7.6	8.6	9.5	10.5
35	5.0	5.3	5.5	5.7	6.0	7.0	7.9	8.9	9.8	10.8
36	6.0	6.3	6.4	6.6	7.0	7.4	8.2	9.2	10.1	11.1
37	7.0	7.2	7.4	7.5	7.9	8.3	8.7	9.5	10.4	11.4
38	7.9	8.2	8.3	8.5	8.8	9.2	9.6	10.1	10.8	11.7
39	8.9	9.1	9.3	9.4	9.7	10.1	10.5	11.0	11.5	12.1
40	9.9	10.1	10.2	10.4	10.7	11.0	11.4	11.8	12.3	12.8
41	10.9	11.1	11.2	11.3	11.6	12.0	12.3	12.7	13.2	13.7
42	11.9	12.1	12.2	12.3	12.6	12.9	13.3	13.7	14.1	14.6
43	12.8	13.0	13.2	13.3	13.5	13.8	14.2	14.6	15.0	15.4

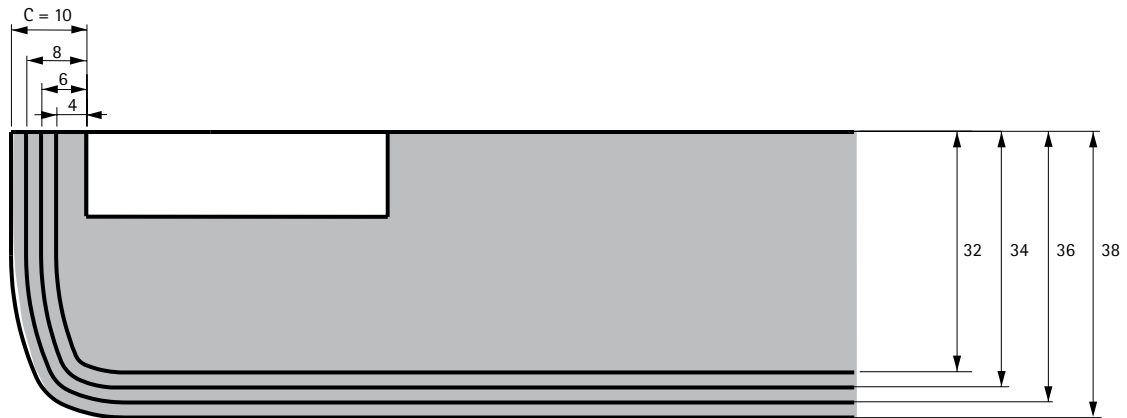
Advice

- ▶ For mounting plates and accessories, see page 90 - 97
- ▶ For fitting information and quality criteria, see page 88 - 89

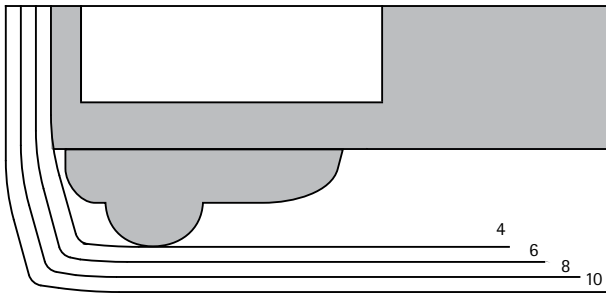
Fast assembly concealed hinge

- ▶ Intermat 9935 for doors in thicknesses up to 43 mm
- ▶ 95° opening angle

Door contours for minimum reveal application - scale 1:1

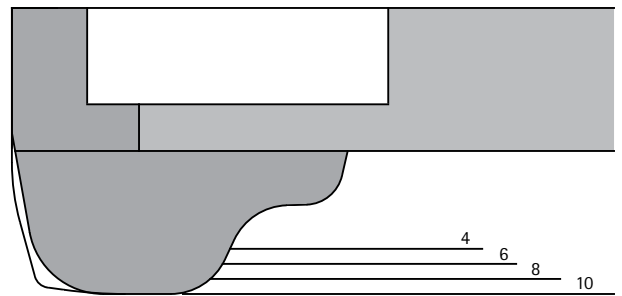


Example of minimum reveal application



Example of minimum reveal application

Door thickness	19 mm
Profile thickness	13 mm
Overall thickness	32 mm
Cup distance C	4 mm



Example of minimum reveal application

Door thickness	19 mm
Profile thickness	19 mm
Overall thickness	38 mm
Cup distance C	10 mm



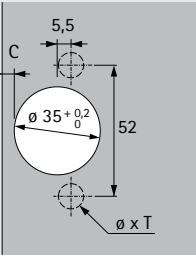
Fast assembly concealed hinge

- ▶ Sensys 8657 with cup in Intermat design, zero protrusion hinge
- ▶ Opening angle 165°



- ▶ Concealed hinge with clip on installation without integrated Silent System
- ▶ Quality classification under EN 15570, Level 3
- ▶ For door thickness of 15 – 32 mm
- ▶ Cup diameter 35 mm
- ▶ Cup depth 11.6 mm
- ▶ Integrated overlay adjustment + 2 mm / - 2 mm
- ▶ Integrated depth adjustment +3 mm / - 2 mm
- ▶ Height adjustment at mounting plate
- ▶ Opening angle can be reduced by means of optional accessories
- ▶ Zero protrusion hinge
- ▶ Hinge arm material: nickel plated steel
- ▶ Hinge cup material: nickel plated steel
- ▶ Note: can only be used with System 8099 mounting plate

Sensys 8657, opening angle 165°

Cup assembly	Drilling pattern	Mounting hole \varnothing x T mm	Full overlay	Half overlay	PU
					
For screwing on TH 42		-	9 099 750	9 099 760	50 ea.
For pressing in TH 43		\varnothing 10 x 11	9 099 751	9 099 761	50 ea.
Flash fast installation TH 44		\varnothing 10 x 11	9 099 752		50 ea.
With premounted expanding sockets TH 48		\varnothing 10 x 11	9 099 756		50 ea.



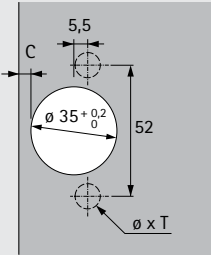
Fast assembly concealed hinge without self closing feature

- ▶ Sensys 8687 with cup in Intermat design, zero protrusion hinge
- ▶ Opening angle 165°



- ▶ Hinge with clip on installation without self closing feature
- ▶ For example for Push to open applications
- ▶ Quality classification under EN 15570, Level 3
- ▶ For door thickness of 15 – 32 mm
- ▶ Cup diameter 35 mm
- ▶ Cup depth 11.6 mm
- ▶ Integrated overlay adjustment + 2 mm / - 2 mm
- ▶ Integrated depth adjustment + 3 mm / - 2 mm
- ▶ Height adjustment at mounting plate
- ▶ Opening angle can be reduced by means of optional accessories
- ▶ Zero protrusion hinge
- ▶ Hinge arm material: nickel plated steel
- ▶ Hinge cup material: nickel plated steel
- ▶ Note: can only be used with System 8099 mounting plate

Sensys 8687, opening angle 165°

Cup assembly	Drilling pattern	Mounting hole \varnothing x T mm	Full overlay	Half overlay	PU
					
For pressing in TH 43		\varnothing 10 x 11	Base B 12,5 mm 9 099 811	Base B 3 mm 9 099 821	50 ea.
With premounted expanding sockets TH 48		\varnothing 10 x 11	9 099 816		50 ea.

Fast assembly concealed hinge

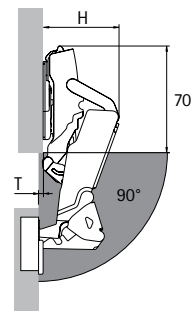
- ▶ Sensys 8657 / 8687 with cup in Intermat design, zero protrusion hinge
- ▶ Opening angle 165°

Minimum reveal per door

Door thickness mm	Cup distance C mm					
	3.0	4.0	4.5	5.0	6.0	7.0
15	0.0	0.0	0.0	0.0	0.0	0.0
16	0.0	0.0	0.0	0.0	0.0	0.0
17	0.0	0.0	0.0	0.0	0.0	0.0
18	0.0	0.0	0.0	0.0	0.0	0.0
19	0.0	0.0	0.0	0.0	0.0	0.0
20	0.0	0.0	0.0	0.0	0.0	0.0
21	0.0	0.0	0.0	0.0	0.0	0.0
22	0.0	0.0	0.0	0.0	0.0	0.0
23	0.0	0.0	0.0	0.0	0.0	0.0
24	0.0	0.0	0.0	0.0	0.0	0.0
25	0.0	0.0	0.0	0.0	0.0	0.0
26	0.1	0.1	0.1	0.1	0.1	0.1
27	0.1	0.1	0.1	0.1	0.1	0.1
28	0.2	0.2	0.2	0.2	0.2	0.3
29*	0.4	0.4	0.4	0.4	0.5	0.6
30**	0.7	0.7	0.8	0.8	1.0	1.1
31**	1.1	1.2	1.3	1.4	1.6	
32**	1.7	1.9	2.0	2.2		

*when using the opening angle limiter at 120°
 **when using the opening angle limiter at 105°

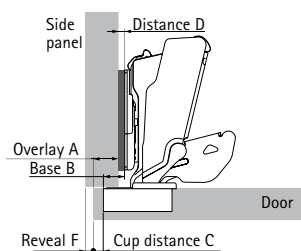
Protrusions / installed depth



No door protrusion T up to distance D = 3, unobstructed interior for pull-outs.
 *Hinge closed: 80 mm

Door mounting option	H mm (max. at 30°)	T mm (90°, D0)
Full overlay	66	-3
Half overlay	75.5	6.5

Full overlay

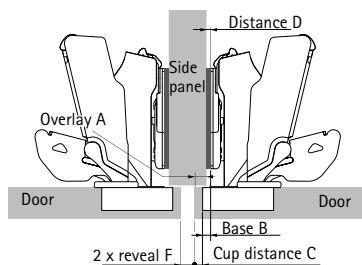


$$\text{Distance D} = C + B - A$$

= cup distance C + 12.5 mm - overlay A

Overlay mm	Cup distance C mm					
	3.0	4.0	4.5	5.0	6.0	7.0
Distance D mm						
10	5.5	6.5	7.0	7.5	8.5	9.5
11	4.5	5.5	6.0	6.5	7.5	8.5
12	3.5	4.5	5.0	5.5	6.5	7.5
13	2.5	3.5	4.0	4.5	5.5	6.5
14	1.5	2.5	3.0	3.5	4.5	5.5
15	0.5	1.5	2.0	2.5	3.5	4.5
16		0.5	1.0	1.5	2.5	3.5
17			0.0	0.5	1.5	2.5
18					0.5	1.5
19						0.5

Half overlay



$$\text{Distance D} = C + B - A$$

= cup distance C + 3 mm - overlay A

Overlay mm	Cup distance C mm					
	3.0	4.0	4.5	5.0	6.0	7.0
Distance D mm						
-2	8.0	9.0	9.5	10.0	11.0	12.0
-1	7.0	8.0	8.5	9.0	10.0	11.0
0	6.0	7.0	7.5	8.0	9.0	10.0
1	5.0	6.0	6.5	7.0	8.0	9.0
2	4.0	5.0	5.5	6.0	7.0	8.0
3	3.0	4.0	4.5	5.0	6.0	7.0
4	2.0	3.0	3.5	4.0	5.0	6.0
5	1.0	2.0	2.5	3.0	4.0	5.0
6	0.0	1.0	1.5	2.0	3.0	4.0
7		0.0	0.5	1.0	2.0	3.0
8				0.0	1.0	2.0
9					0.0	1.0
10						0.0

Advice

- ▶ For mounting plates and accessories, see page 90 - 97
- ▶ For fitting information and quality criteria, see page 88 - 89

Fast assembly concealed hinge

- ▶ **Intermat 9936 W45**
- ▶ **For 45° face angle, 95° opening angle**



- ▶ Concealed hinge with clip on installation
- ▶ Quality classification under EN 15570, Level 2
- ▶ For 45° face angle
- ▶ For door thickness 14 - 32 mm
- ▶ Cup diameter 35 mm
- ▶ Cup depth 10.5 mm
- ▶ Integrated overlay adjustment + 2 mm / - 2 mm
- ▶ Integrated depth adjustment + 2 mm / - 2 mm
- ▶ Height adjustment at mounting plate
- ▶ Hinge arm material: zinc die-cast nickel plated
- ▶ Hinge cup material: nickel plated steel

Intermat 9936 W45, opening angle 95°

Cup assembly	Drilling pattern	Mounting hole ϕ x T mm	Overlay		PU
			Base B 0 mm	Base B 6 mm	
For screwing on TH 42		-	0 048 096	0 077 699	50 ea.
For pressing in TH 43		ϕ 10 x 11	0 048 097	0 077 700	50 ea.
With premounted expanding sockets TH 48		ϕ 10 x 11	9 043 668	9 043 669	50 ea.

► **Intermat 9936**

► **For 45° face angle, 95° opening angle**

Minimum reveal per door

Door thickness mm	Cup distance C mm							
	3.0	4.0	4.5	5.0	6.0	7.0	8.0	
14	0.2	0.2	0.2	0.2	0.2	0.2	0.2	
15	0.3	0.2	0.2	0.2	0.2	0.2	0.2	
16	0.4	0.4	0.4	0.4	0.4	0.4	0.4	
17	0.5	0.5	0.5	0.5	0.5	0.5	0.5	
18	0.7	0.7	0.7	0.7	0.6	0.6	0.6	
19	0.9	0.9	0.9	0.8	0.8	0.8	0.8	
20	1.1	1.1	1.1	1.1	1.0	1.0	1.0	
21	1.4	1.3	1.3	1.3	1.3	1.2	1.2	
22	1.7	1.6	1.6	1.6	1.5	1.5	1.5	
23	2.0	1.9	1.9	1.9	1.8	1.8	1.7	
24	2.3	2.3	2.2	2.2	2.1	2.1	2.0	
25	2.8	2.7	2.6	2.6	2.5	2.4	2.4	
26	3.3	3.1	3.1	3.0	2.9	2.8	2.7	
27	4.2	3.7	3.6	3.5	3.3	3.2	3.1	
28	5.0	4.5	4.3	4.1	3.9	3.7	3.6	
29	5.9	5.4	5.2	4.9	4.6	4.3	4.1	
30	6.8	6.3	6.0	5.8	5.3	5.0	4.7	
31	7.8	7.2	6.9	6.6	6.1	5.7	5.4	
32	8.7	8.1	7.8	7.5	7.0	6.5	6.1	

Please note:

The table entries refer to doors with an edge radius of 1 mm.

On doors with other radii, the minimum reveal changes as follows:

Radius 0 mm:
Value in table + 0.4 mm

Radius 3 mm:
Value in table - 0.8 mm

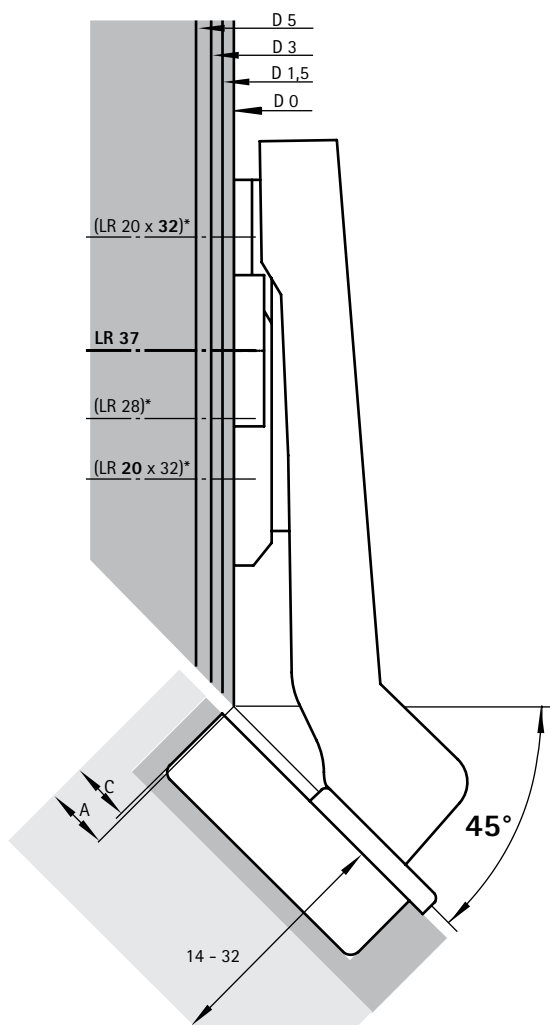
Note

The drawings below show the hinges including mounting plate distances on a scale of 1:1. The door reveal can be measured directly from the individual distance lines by drawing in the required cup distance C (3 - 8 mm).

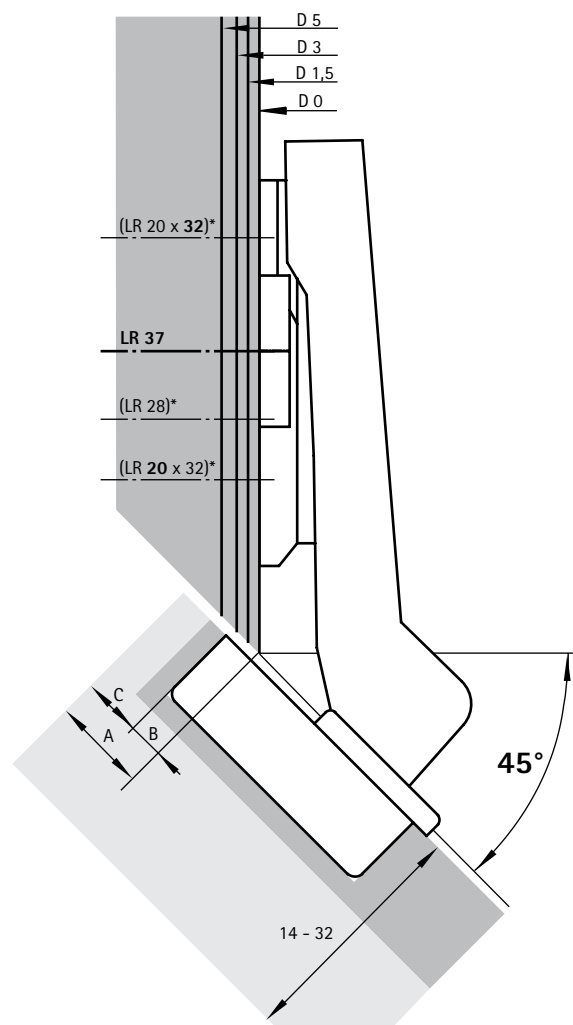
To determine the position for securing the mounting plate, measure along the selected distance line from the carcass front edge to the corresponding marking line for the line of holes.

Door thickness and cup distance C determine the required minimum reveal shown in the table.

Overlay (B 0 mm) - Scale 1:1



Overlay (B 6 mm) - Scale 1:1



Advice

- For mounting plates and accessories, see page 90 - 97
- For fitting information and quality criteria, see page 88 - 89

Fast assembly concealed hinge

- ▶ **Intermat 9936 W90**
- ▶ **For 90° face angle, 95° opening angle**



- ▶ Concealed hinge with clip on installation
- ▶ Quality classification under EN 15570, Level 2
- ▶ For 90° face angle
- ▶ For door thickness 14 - 28 mm
- ▶ Cup diameter 35 mm
- ▶ Cup depth 10.5 mm
- ▶ Integrated adjustment of door offset + 2 mm / - 2 mm
- ▶ Integrated reveal adjustment + 2 mm / - 2 mm
- ▶ Height adjustment at mounting plate
- ▶ Hinge arm material: zinc die-cast nickel plated
- ▶ Hinge cup material: nickel plated steel

Intermat 9936 W90, opening angle 95°

Inset

Base B 5 mm

PU

Cup assembly	Drilling pattern	Mounting hole \varnothing x T mm	Base B 5 mm	PU
For screwing on TH 42		-	0 077 708	50 ea.
For pressing in TH 43		\varnothing 10 x 11	0 077 709	50 ea.
Flash fast installation TH 44		\varnothing 10 x 6	1 061 347	200 ea.
With premounted expanding sockets TH 48		\varnothing 10 x 11	9 043 672	50 ea.

Fast assembly concealed hinge

► **Intermat 9936 W90**

► **For 90° face angle, 95° opening angle**

Minimum reveal per door

Door thickness mm	Cup distance C mm					
	3.0	4.0	4.5	5.0	6.0	7.0
14	0.2	0.2	0.2	0.2	0.2	0.2
15	0.3	0.2	0.2	0.2	0.2	0.2
16	0.4	0.4	0.4	0.4	0.4	0.4
17	0.5	0.5	0.5	0.5	0.5	0.5
18	0.7	0.7	0.7	0.7	0.6	0.6
19	0.9	0.9	0.9	0.8	0.8	0.8
20	1.1	1.1	1.1	1.1	1.0	1.0
21	1.4	1.3	1.3	1.3	1.3	
22	1.7	1.6	1.6	1.6	1.5	
23	2.0	1.9	1.9	1.9	1.8	
24	2.3	2.3	2.2	2.2	2.1	
25	2.8	2.7	2.6	2.6		
26	3.3	3.1	3.1			
27	4.2	3.7	3.6			
28	5.0					

Please note:

The table entries refer to doors with an edge radius of 1 mm.

On doors with other radii, the minimum reveal changes as follows:

Radius 0 mm:
Value in table + 0.4 mm

Radius 3 mm:
Value in table - 0.8 mm

Note

The drawings below show the hinges including mounting plate distances on a scale of 1:1.

Full overlay

- overlay A = cup distance C + 8.5 mm
- hole line distance X
- for LR37 mounting plate = 37 mm
- X > 20 mm

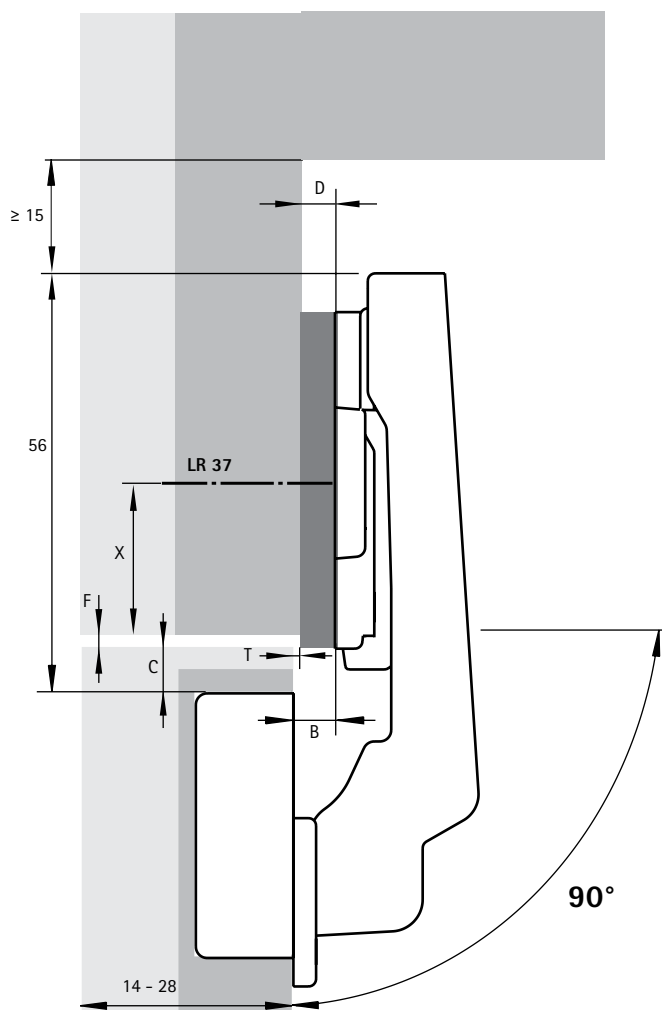
Inset

- hole line distance X
- for LR37 mounting plate = 28 mm - C - F
- X > 20 mm

Inset (B 5 mm) - Scale 1:1

Distance D = 5 mm - door offset

e.g. door offset 0 mm: distance D = 5 mm



Advice

- For mounting plates and accessories, see page 90 - 97
- For fitting information and quality criteria, see page 88 - 89

Fast assembly concealed hinge

- ▶ Intermat 9904 for glass doors
- ▶ 95° opening angle



- ▶ Concealed hinge with clip on installation
- ▶ Quality classification under EN 15570, Level 2
- ▶ For glass thicknesses 4.0 - 6.5 mm
- ▶ Cup diameter 26 mm
- ▶ Integrated overlay adjustment + 2 mm / - 2 mm
- ▶ Integrated depth adjustment + 2.5 mm / - 1.5 mm
- ▶ Height adjustment at mounting plate
- ▶ Hinge arm material: zinc die-cast nickel plated
- ▶ Hinge cup material: black plastic

Intermat 9904, opening angle 95°

Cup assembly	Drilling pattern	Mounting hole ϕ x T mm	Full overlay	Half overlay	Inset	PU
			Base B 11 mm	Base B 2,5 mm	Base B -4 mm	
For screwing on TU 12 / S		-	 0 072 960	 0 072 967	 0 072 968	50 ea.

Decorative caps type A



Finish	Order no.	PU
1 chrome-plated high-gloss	0 040 341	50 set
2 nickel-plated matt	0 070 712	50 set

Set, including cap mount and fixing screws. For glass thicknesses 5.5 - 6.5 mm a separate fixing screw 9 082 429 must be ordered.

Decorative caps type B



Finish	Order no.	PU
1 chrome-plated high-gloss	0 040 495	50 set
2 nickel-plated matt	0 070 713	50 set

Set, including cap mount and fixing screws. For glass thicknesses 5.5 - 6.5 mm a separate fixing screw 9 082 429 must be ordered.

Fast assembly concealed hinge

- ▶ **Intermat 9930 for corner cabinet folding doors**
- ▶ **50° / 65° opening angle**



- ▶ Concealed hinge with clip on installation
- ▶ Quality classification under EN 15570, Level 2
- ▶ Cup diameter 35 mm
- ▶ Cup depth 10.5 mm
- ▶ Diagonal adjustment + 9.5 mm / - 9.5 mm
- ▶ Integrated overlay adjustment, see sketch
- ▶ For integrated depth adjustment, see sketch
- ▶ Height adjustment at mounting plate
- ▶ Hinge arm material: zinc die-cast nickel plated
- ▶ Hinge cup material: nickel plated steel

Intermat 9930, opening angle 50° / 65°

Overlay

Base B 24 mm

PU

Cup assembly	Drilling pattern	Mounting hole \varnothing x T mm	Base B 24 mm	PU
For screwing on TH 42		-	0 045 036	50 ea.
For pressing in TH 43		\varnothing 10 x 11	0 045 037	50 ea.
With premounted expanding sockets TH 48		\varnothing 10 x 11	9 044 823	50 ea.
Flash fast installation TH 44		\varnothing 10 x 11	9 043 262	50 ea.

Fast assembly concealed hinge

- ▶ **Intermat 9930 for corner cabinet folding doors**
- ▶ **50° / 65° opening angle**

Version A - Cup drill holes in one door

- ▶ All cup drillings in one door
- ▶ Hairline reveal can be provided between door units
- ▶ No cutaway in cup holes necessary
- ▶ Same door width for both elements
- ▶ Diagonal adjustment capability for easy adjustment to door thickness
- ▶ Same cup distance on both sides of side mounted door
- ▶ Hole line distance of 37 mm in the folding door panel
- ▶ For door thickness 16 - 21 mm
- ▶ Cup distance C 3 - 6 mm

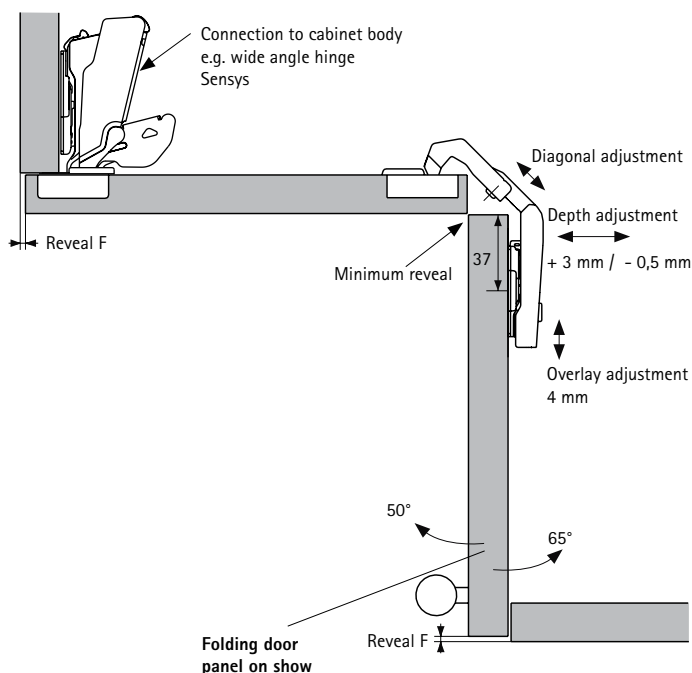
Version A - Calculation of door width

Door width = carcass width - reveal F - door thickness

Version A - Calculation of mounting plate distance

For cup distance C = 4.5 mm: Distance D = 0 mm
 For cup distance C = 3.0 mm: Distance D = 1.5 mm

Differing cup distances can be evened out by depth and diagonal adjustment capability.



Advice

- ▶ For mounting plates and accessories, see page 90 - 97
- ▶ For fitting information and quality criteria, see page 88 - 89

Version B - Cup drill holes in both doors

- ▶ Both door units are the same
- ▶ No cutaway in cup holes necessary
- ▶ Diagonal adjustment capability for easy adjustment to door thickness
- ▶ Hole line distance of 41 mm in the side mounted door
- ▶ For door thickness 16 - 21 mm
- ▶ Cup distance C 3 - 6 mm

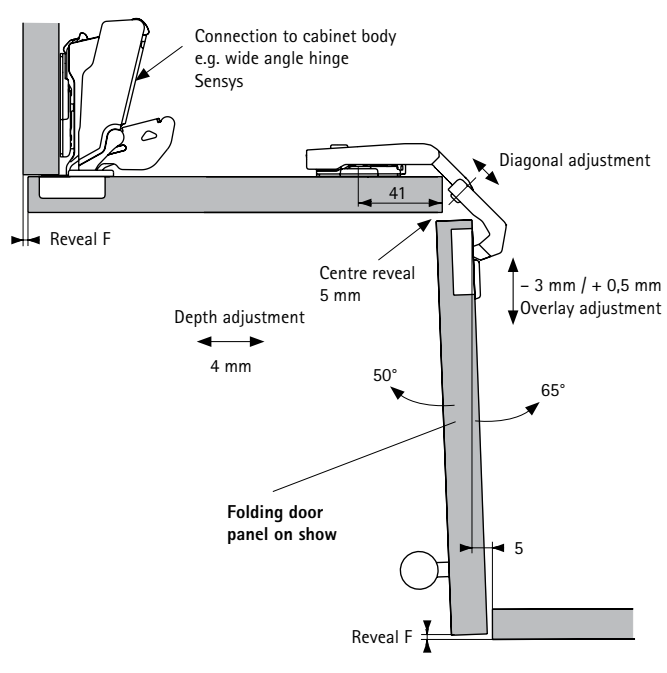
Version B - Calculation of door width

Door width = carcass width - reveal F - door thickness - 5 mm

Version B - Calculation of mounting plate distance

For cup distance C = 4.5 mm: Distance D = 0 mm
 For cup distance C = 3.0 mm: Distance D = 1.5 mm

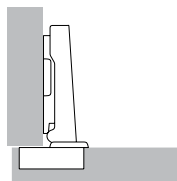
Differing cup distances can be evened out by depth and diagonal adjustment capability.



Fast assembly concealed hinge

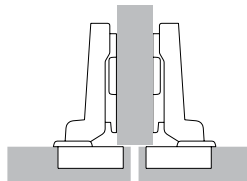
- ▶ **Intermat**
- ▶ **Fitting information**

Full overlay door



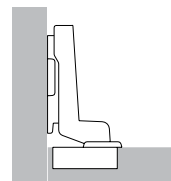
The door is in front of the carcass side and only a small gap remains at the side within which the door can open reliably. Alternatively, the door can also be overlaid fully. In this case sufficient space must be allowed at the side for the required minimum reveal. Straight hinges are used.

Half overlay door



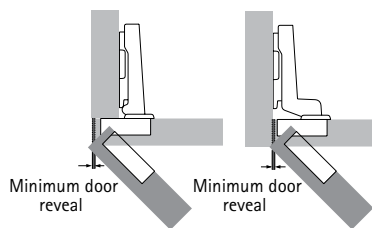
This is where two doors are positioned in front of a cabinet centre panel, with the required overall reveal between them (at least 2 x minimum reveal). In other words, each door has a smaller overlay and cranked hinges are therefore used.

Inset door



The door is positioned inside the carcass, i.e. next to the carcass side. Here too, a gap is needed so that the door can open reliably. Highly cranked hinges are used here. For an inset door, the mounting plate must be set back by the door thickness + 1 mm as well as by any any chosen door offset.

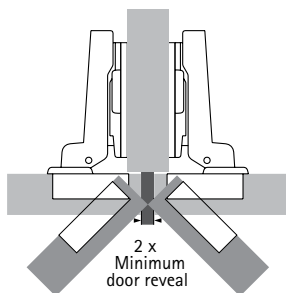
Minimum reveal



For full overlay and inset doors

The minimum reveal (also known as the door clearance or minimum clearance) is the space required at the side so that the door can open. The size of the minimum reveal depends on the cup distance C, the door thickness and the type of hinge selected. Radii on the door edges reduce the door clearance. The minimum reveal is shown in the table for the respective hinge types.

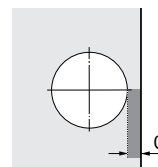
Minimum reveal



For half overlay doors

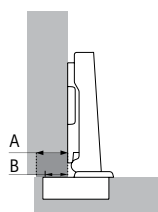
The total reveal selected between the doors must be at least twice the door clearance. Both doors can then be opened at the same time.

Cup distance C



Cup distance C is the distance between the door edge and the edge of the cup drilling. The greater the distance selected for cup distance C, the smaller door clearance will be, i.e. the minimum reveal required.

Overlay / Base



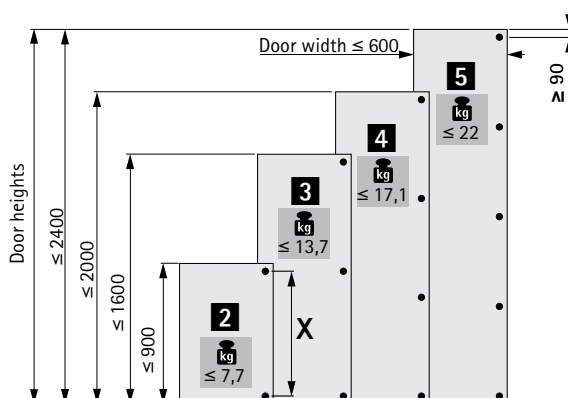
A = Overlay
B = Base

Overlay refers to the projection of the door in front of the carcass side. Base refers to the projection of the cup in front of the carcass side for a mounting plate distance of 0 mm.

Number of hinges per door

Door width, height and weight as well as the material quality of the door are decisive factors determining the number of hinges required.

The factors encountered in practice differ widely from case to case. For this reason, the number of hinges specified in the diagram must be understood as a guide only. If in doubt, it is recommended to carry out a trial mounting and adjust the number of hinges as necessary. For reasons of stability, space X between the hinges must always be made as large as possible. The space X must be at least 280 mm.



Fast assembly concealed hinge

- ▶ Intermat
- ▶ Fitting information

General calculation of distances

Mounting plates are available in various distances. The effective height of the mounting plate is defined by distance D. Distance D is embossed on the top of each mounting plate. A larger distance D reduces overlay for full and half overlay applications. On inset doors, a larger distance D increases the door reveal. Before determining the required distance,

check whether the desired reveal is equal to or greater than the required minimum reveal. If the desired reveal is less than the required minimum reveal, the required minimum reveal can be reduced by increasing cup distance C or by producing radii on the door edges.

Calculation of distances

For full overlay and half overlay doors

The required distance D can be determined after checking the minimum reveal. Ideally, the door reveal and cup distance should be selected to produce a distance D that is available as mounting plate.

Example: Working out distances according to the table

Overlay = 14 mm and cup distance C = 4.5 mm yield a distance D equal to 3.0 mm.

Example: Working out distances using the calculation formula

Hinge for full overlay door, base B = 12.5 mm
 Distance D = Cup distance C + base B - overlay A
 Distance D = 4.5 mm + 12.5 mm - 14 mm = 3.0 mm

Intermediate distances not available as mounting plate distances are achieved by adjusting the hinge overlay.

Overlay mm	Cup distance C mm					
	3,0	4,0	4,5	5,0	6,0	7,0
	Distance D mm					
10	5,5	6,5	7,0	7,5	8,5	9,5
11	4,5	5,5	6,0	6,5	7,5	8,5
12	3,5	4,5	5,0	5,5	6,5	7,5
13	2,5	3,5	4,0	4,5	5,5	6,5
14	1,5	2,5	3,0	3,5	4,5	5,5
15	0,5	1,5	2,0	2,5	3,5	4,5
16		0,5	1,0	1,5	2,5	3,5
17			0,0	0,5	1,5	2,5
18					0,5	1,5
19						0,5

Calculation of distances

For inset doors

When calculating the mounting plate distance using the table for the inset, allowance is automatically made for the reveal to be designated as the minimum reveal in relation to cup distance C and the door thickness in the minimum reveal table. If a reveal is to be produced that is larger than this minimum reveal, select a mounting plate distance of the appropriate size.

Example: Working out distances according to the table

According to the table, a door thickness = 20 mm and cup distance C = 4.5 mm produce a mounting plate distance of 1.5 mm. This gives the required minimum reveal, for example, of 1 mm. If a reveal of 2.5 mm is preferred instead, select a mounting plate distance which is 1.5 mm larger. In this example, therefore, a distance of 3 mm instead of 1.5 mm.

Example: Working out distances using the calculation formula

Hinge for inset application, base value B = - 4 mm
 Distance D = cup distance C + base B + reveal F
 Distance D = 4.5 mm - 4 mm + 1 mm = 1.5 mm

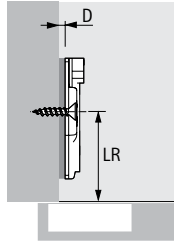
Intermediate distances not available as mounting plate distances are achieved by adjusting the overlay adjustment of the hinge.

Door thickness mm	Cup distance C mm					
	3,0	4,0	4,5	5,0	6,0	7,0
	Distance D mm					
15		0,2	0,7	1,2	2,2	3,2
16		0,3	0,8	1,3	2,3	3,3
17		0,4	0,9	1,4	2,4	3,4
18		0,6	1,1	1,6	2,6	3,5
19		0,8	1,3	1,8	2,7	3,7
20	0,1	1,0	1,5	2,0	3,0	3,9
21	0,4	1,3	1,8	2,3	3,2	4,2
22	1,2	1,8	2,2	2,6	3,6	4,5

Fast assembly concealed hinge

- ▶ System 8099 mounting plates - with oblong hole height adjustment
- ▶ For Sensys and Intermat

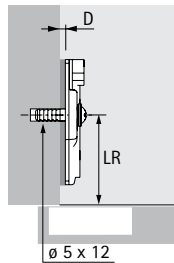
Cross mounting plate for screwing on



- ▶ For 4.5 mm \varnothing x 16 mm countersunk screws
- ▶ Quality classification under EN 15570, Level 3
- ▶ Hole spacing 32 mm
- ▶ Oblong hole height adjustment ± 3 mm
- ▶ Steel, nickel plated

Hole line distance LR mm	Order no. / Distance D mm					PU
	0,0	1,5	3,0	5,0	8,0	
37	9 071 575	9 071 576	9 071 577	9 071 578		200 ea.
					9 075 009	50 ea.

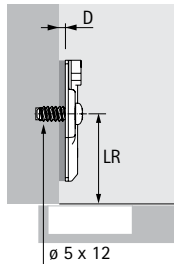
Cross mounting plate with expanding sockets and special screws



- ▶ For $\varnothing 5 \times 12$ mm holes
- ▶ Quality classification under EN 15570, Level 3
- ▶ Hole spacing 32 mm
- ▶ Oblong hole height adjustment ± 2 mm
- ▶ Steel, nickel plated

Hole line distance LR mm	Order no. / Distance D mm				PU
	0,0	1,5	3,0	5,0	
37	9 071 595	9 071 596	9 071 597	9 071 598	200 ea.

Cross mounting plate with premounted Euro screws



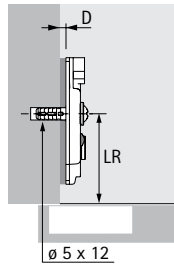
- ▶ For $\varnothing 5 \times 12$ mm holes
- ▶ Quality classification under EN 15570, Level 3
- ▶ Hole spacing 32 mm
- ▶ Oblong hole height adjustment ± 3 mm
- ▶ Steel, nickel plated

Hole line distance LR mm	Order no. / Distance D mm					PU
	0,0	1,5	3,0	5,0	8,0	
37	9 071 625	9 071 626	9 071 627	9 071 628		200 ea.
					9 075 059	50 ea.

Fast assembly concealed hinge

- ▶ System 8099 mounting plates with eccentric cam height adjustment
- ▶ For Sensys and Intermat

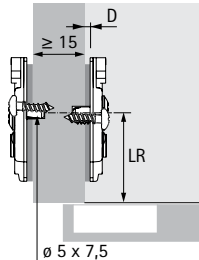
Cross mounting plate with expanding sockets and special screws



- ▶ For $\varnothing 5 \times 12$ mm holes
- ▶ Quality classification under EN 15570, Level 3
- ▶ Hole spacing 32 mm
- ▶ Eccentric cam height adjustment ± 2 mm
- ▶ Steel, nickel plated

Hole line distance LR mm	Order no. / Distance D mm				PU
	0,0	1,5	3,0	5,0	
37	9 071 655	9 071 656	9 071 657	9 071 658	200 ea.

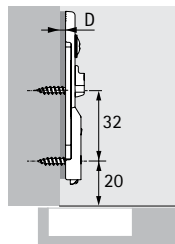
Patented "Hettich Direkt" cross mounting plate with locating pin and special screws



- ▶ For $\varnothing 5 \times 7.5$ mm holes
- ▶ Quality classification under EN 15570, Level 2
- ▶ Hole spacing 32 mm
- ▶ Half overlay door, from 15 mm side panel thickness
- ▶ Eccentric cam height adjustment ± 2 mm
- ▶ Steel, nickel plated

Hole line distance LR mm	Order no. / Distance D mm				PU
	0,0	1,5	3,0	5,0	
37	9 071 650	9 071 651	9 071 652	9 071 653	200 ea.

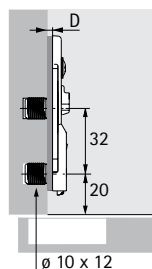
Linear mounting plate for screwing on



- ▶ For 3.5 mm $\varnothing \times 16$ mm countersunk screws
- ▶ Quality classification under EN 15570, Level 3
- ▶ Eccentric cam height adjustment ± 2 mm
- ▶ Steel, nickel plated

Hole line distance LR mm	Order no. / Distance D mm		PU
	1,5	3,0	
20	9 117 341	9 117 342	50 ea.

Linear mounting plate for pressing in



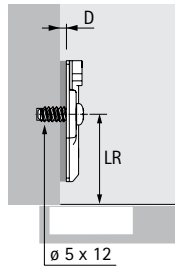
- ▶ For $\varnothing 10 \times 12$ mm drillings
- ▶ Quality classification under EN 15570, Level 3
- ▶ Eccentric cam height adjustment ± 2 mm
- ▶ Steel, nickel plated

Hole line distance LR mm	Order no. / Distance D mm		PU
	1,5	3,0	
20	9 117 344	9 117 388	50 ea.

Fast assembly concealed hinge

- ▶ System 8099 mounting plates with oblong hole / eccentric cam height adjustment
- ▶ For Sensys in obsidian black

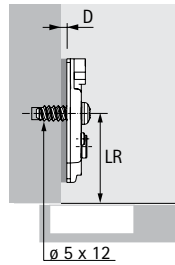
Cross mounting plate with premounted Euro screws



- ▶ For $\varnothing 5 \times 12$ mm holes
- ▶ Quality classification under EN 15570, Level 3
- ▶ Hole spacing 32 mm
- ▶ Oblong hole height adjustment ± 3 mm
- ▶ Steel in obsidian black

Hole line distance LR mm	Order no. / Distance D mm				PU
	0.0	1.5	3.0	5.0	
37	9 091 799	9 091 800	9 091 801	9 091 802	50 ea.

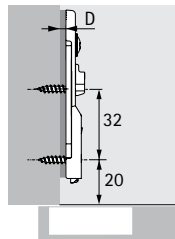
Cross mounting plate with premounted Euro screws



- ▶ For $\varnothing 5 \times 12$ mm holes
- ▶ Quality classification under EN 15570, Level 3
- ▶ Hole spacing 32 mm
- ▶ Eccentric cam height adjustment ± 2 mm
- ▶ Steel in obsidian black

Hole line distance LR mm	Order no. / Distance D mm				PU
	0.0	1.5	3.0	5.0	
37	9 091 803	9 091 804	9 091 805	9 091 806	50 ea.

Linear mounting plate for screwing on

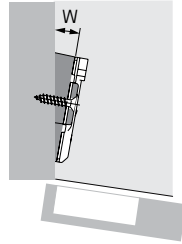


- ▶ For 3.5 mm \varnothing x 16 mm countersunk screws
- ▶ Quality classification under EN 15570, Level 3
- ▶ Eccentric cam height adjustment ± 2 mm
- ▶ Steel in obsidian black

Hole line distance LR mm	Order no. / Distance D mm		PU
	1.5	3.0	
20	9 117 471	9 117 472	50 ea.

- ▶ Accessories
- ▶ For Sensys

Angle adapter for cross mounting plates



- ▶ For realizing face angle applications
- ▶ 5° angle adapter can be stacked on the other angle adapters
- ▶ A trial mounting is recommended
- ▶ Zinc die-cast nickel plated

Hole line distance LR mm	Angle W°	Order no.	PU
37	5	9 072 533	50 ea.
37	10	9 072 534	50 ea.
37	15	9 072 535	50 ea.
37	20	9 072 536	50 ea.

Can only be used with LR37 cross mounting plates for screwing on; Screw length is determined by specific configuration

Cover cap for Sensys hinge arm



- ▶ Can be used with Sensys hinges apart from 8657i / 8657 / 8687
- ▶ Cover caps with customised embossed or printed logo on request
- ▶ Steel, nickel plated

Type	Order no.	PU
Neutral	9 088 249	50 ea.
Embossed with Hettich logo	9 088 250	50 ea.

Cover cap for Sensys zero protrusion hinge



- ▶ Can be used with Sensys hinges 8657i, 8657, 8687
- ▶ Cover caps with customised print available on request
- ▶ Plastic, anthracite

Type	Order no.	PU
Neutral	9 099 870	50 ea.
Printed with Hettich logo	9 099 871	50 ea.

Cover cap for Sensys hinge cup



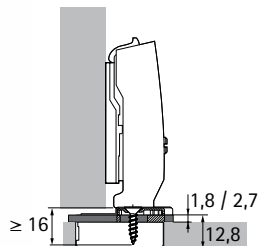
- ▶ Can be used for hinges with cup in Sensys design
- ▶ Can be used for all attachment options apart from Fix and premounted wood screw
- ▶ Steel, nickel plated

Type	Dimension X mm	Order no.	PU
For TH	68,2	9 088 251	50 ea.

Fast assembly concealed hinge

- ▶ Accessories
- ▶ For Sensys

Adapter for reducing drilling depth



- ▶ To reduce the required depth of the cup drilling in thin or highly softened doors
- ▶ Can be used with hinge cup for screwing on
- ▶ The gap between carcass and door increases by the thickness of the adapter
- ▶ Attachment by $\varnothing 4 \times 16$ mm countersunk screws
- ▶ Plastic, transparent

Type	Thickness mm	Order no.	PU
for TH 52 cup	1,8	9 073 595	50 ea.

Opening angle limiter for Sensys 8645i



- ▶ For reducing the opening angle of doors with adjoining elements
- ▶ Avoids damage to the front panel
- ▶ Also suitable for hinges without Silent System, without self closing feature
- ▶ Plastic, white
- ▶ For installation notes, see Technical information

Type	Order no.	PU
Limitation from 110° to 85°	9 072 540	50 ea.

Opening angle limiter for Sensys 8639i W



- ▶ For reducing the opening angle of doors with adjoining elements
- ▶ Avoids damage to the front panel
- ▶ Also suitable for hinges without Silent System, without self closing feature
- ▶ Plastic, black
- ▶ For installation notes, see Technical information

Type	Order no.	PU
Limitation from 95° to 85°	9 072 541	50 ea.

Opening angle limiter for Sensys thin door hinges



- ▶ Limitation from 110° to 85°
- ▶ For reducing the opening angle of doors with adjoining elements
- ▶ Avoids damage to the front panel
- ▶ Plastic, anthracite

Type	Order no.	PU
Limitation from 110° to 85°	9 076 440	50 ea.

Opening angle limiter for Sensys 8657i



- ▶ For reducing the opening angle of doors with adjoining elements
- ▶ Avoids damage to the front panel
- ▶ Also suitable for hinges without Silent System, without self closing feature
- ▶ Plastic, anthracite
- ▶ For installation notes, see Technical information

Type	Order no.	PU
Limitation from 165° to 105° or 120°	9 090 756	50 ea.

Fast assembly concealed hinge

- ▶ Accessories
- ▶ For Sensys in obsidian black

Opening angle limiter for Sensys 8657i



- ▶ For reducing the opening angle of doors with adjoining elements
- ▶ Avoids damage to the front panel
- ▶ Also suitable for hinges without Silent System, without self closing feature
- ▶ Plastic, anthracite
- ▶ For installation notes, see Technical information

Type	Order no.	PU
Limitation from 165° to 90° or 135°	9 090 864	50 ea.

Opening angle limiter for Sensys 8631i



- ▶ For reducing the opening angle of doors with adjoining elements
- ▶ Avoids damage to the front panel
- ▶ Also suitable for hinges without Silent System, without self closing feature
- ▶ Steel
- ▶ For installation notes, see Technical information

Type	Order no.	PU
Limitation from 95° to 85°	9 103 006	50 ea.

Aid for installing opening angle limiter



- ▶ Can be used with the following opening angle limiters
 - Order no. 9 072 540 for Sensys 8645i / 8645 / 8675
 - Order no. 9 072 541 for Sensys 8639i W / 8639 W / 8669 W

Order no.	PU
9 081 657	100 ea.

Cover cap for Sensys hinge arm



- ▶ Can be used with Sensys hinges apart from 8657i
- ▶ Embossed with Hettich logo
- ▶ Cover caps with customised embossed or printed logo on request
- ▶ Steel in obsidian black

Order no.	PU
9 091 821	50 ea.

Cover cap for Sensys hinge cup



- ▶ Can be used for hinges with cup in Sensys design
- ▶ Steel in obsidian black

Version	Order no.	PU
for TH / TS	9 091 822	50 ea.

Fast assembly concealed hinge

- ▶ Accessories
- ▶ For Intermat

Cover cap for Intermat hinge arm



- ▶ Can be used with Intermat hinges
- ▶ Cover caps with customised embossed or printed logo on request
- ▶ Steel, nickel plated

Type	Order no.	PU
Neutral	9 101 552	50 ea.
Embossed with Hettich logo	9 102 082	50 ea.

Opening angle limiter for Intermat 9943



- ▶ For reducing door opening angle to avoid collisions with adjoining elements
- ▶ Avoids damage to the front panel
- ▶ Also suitable for hinges without self closing feature
- ▶ Plastic, colourless
- ▶ For installation notes, see Technical information

Order no.	PU
9 088 253	50 ea.

Screw and sleeve



- ▶ Press in sleeve and screw
- ▶ Used for example, to replace hinges with cup assembly for pressing in
- ▶ \varnothing 10 x 11 mm
- ▶ Colourless plastic / steel, nickel plated

Order no.	PU
0 045 169	200 set

Fixing screw for aluminium framed door hinge



- ▶ Countersunk head
- ▶ Pozidrive screw
- ▶ \varnothing 3.5 x 16 mm
- ▶ Steel, nickel plated

Order no.	PU
0 041 296	200 ea.

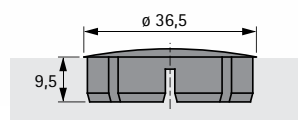
Fixing screw for glass door hinges



- ▶ For glass 5.5 - 6.5 mm thick
- ▶ Steel, nickel plated

Order no.	PU
9 082 429	200 ea.

Cover cap \varnothing 35 mm



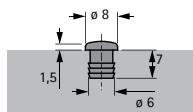
- ▶ For drilling \varnothing 35 mm x 9.5 mm
- ▶ Plastic

Colour	Order no.	PU
white	0 025 204	100 ea.

Fast assembly concealed hinge

- ▶ Accessories
- ▶ For Intermat

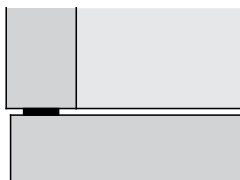
Door damper for pressing in



- ▶ For drilling \varnothing 6 mm x 7 mm
- ▶ Plastic

Colour	Order no.	PU
white	0 025 048	1000 ea.

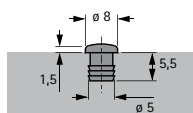
Door damper for sticking on



- ▶ \varnothing 8 mm, Self adhesive
- ▶ 50 buffers per sheet
- ▶ Plastic, transparent

Order no.	PU
0 046 695	1,000 ea.

Door damper for pressing in



- ▶ For drilling \varnothing 5 mm x 5.5 mm
- ▶ Plastic, transparent

Order no.	PU
9 079 298	1000 ea.

Fixing screw for hinge cup for screwing on



- ▶ Countersunk head
- ▶ Pozidrive screw
- ▶ \varnothing 3.5 x 16 mm
- ▶ Steel, nickel plated

Order no.	PU
1 004 895	1000 ea.

Shallow countersunk head



- ▶ Shallow countersunk head
- ▶ Pozidrive screw
- ▶ Steel, galvanised

Dimensions mm	Order no.	PU
\varnothing 6.3 x 11	0 047 451	200 ea.

Deep countersunk head



- ▶ Deep countersunk head
- ▶ Pozidrive screw
- ▶ Steel, galvanised

Dimensions mm	Order no.	PU
\varnothing 6.3 x 14	0 047 452	200 ea.

Deep countersunk head



- ▶ Self tapping countersunk screw
- ▶ For use with hinges and mounting plates for screwing on in combination with hard materials, such as solid surface material or full core panel
- ▶ Not suitable for use in engineered wood
- ▶ Steel, nickel plated

Design	Order no.	PU
for drilling \varnothing 3.6 mm x 8 mm	9 217 435	100 ea.
for drilling \varnothing 5 mm x 8 mm	9 238 321	100 ea.

Optional Silent System

► For concealed hinges



A measurable benefit for every furniture user
Closing furniture doors produce irritating noise in the home environment. Intermat with Silent System controls the movement of furniture doors, leaving them to close quietly and gently. Peace and quiet are immediately restored, enhancing living comfort in any home situation.



Greater customer benefits
Silent System action can be optimised to suit the size and weight of the doors at a setting wheel.



Elegance for the hinge cup
This particularly attractive Silent System can be used for standard door mounting styles.



Convenient, for clipping on
Silent System simply clips onto the hinge arm, thus enabling tool-less assembly.



Screwed on in seconds flat
This option is mainly used in conjunction with hinges for unusual face angles.

Optional Silent System

- ▶ Intermat fast assembly concealed hinge
- ▶ For Intermat

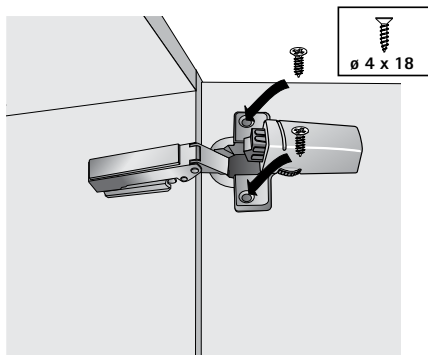
Silent System damper for hinge cup



- ▶ for screwing onto the hinge cup
- ▶ Cushioning effect infinitely adjustable at setting wheel
- ▶ Use two Silent System elements for doors weighing over 13.5 kg
- ▶ Upgradeable
- ▶ Zinc die-cast nickel plated

For hinge	Cup version	Door mounting option	Order no.	PU
Intermat 9943	TH 42, TH 43, TH 48	full overlay	0 060 581	50 ea.

Installation



Optional Silent System

- ▶ Intermat fast assembly concealed hinge
- ▶ For Intermat

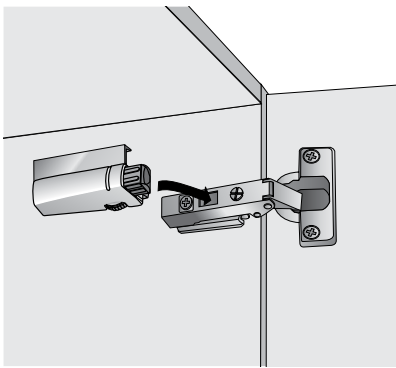
Clip on Silent System



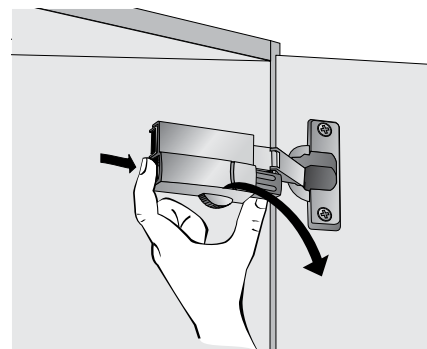
- ▶ For clipping onto the hinge arm
- ▶ Cushioning effect infinitely adjustable at setting wheel
- ▶ Tool-less assembly / removal
- ▶ Use two Silent System elements for doors weighing over 13.5 kg
- ▶ Easy upgradeable
- ▶ Zinc die-cast nickel plated

For hinge	Door mounting option	Verwendung mit	Order no.	PU
Intermat 9943 / 9936	full overlay	all mounting plate distances	0 060 576	50 ea.

Installation



Removal



Optional Silent System

- ▶ Intermat fast assembly concealed hinge
- ▶ For Intermat

Screw on Silent System



- ▶ for screwing onto top or bottom carcase panel
- ▶ Cushioning effect infinitely adjustable via setting screw
- ▶ Installation on hinge side
- ▶ Use two Silent System elements for doors weighing over 13.5 kg
- ▶ Upgradeable
- ▶ Zinc die-cast nickel plated

Door mounting option	Order no.	PU
Full overlay, half overlay	0 060 579	50 ea.

Assembly drawing

Intermat 9943
Intermat 9936
Intermat 9944

T	X
< 300	1
< 450	9
< 600	15

Installation

Assembly drawing

Intermat 9936 W20
Intermat 9936 W30
Intermat 9936 W45

T	X
< 300	1
< 450	9
< 600	15

Assembly drawing

Intermat 9936 W90

T	X
< 300	1
< 450	9
< 600	15

Push to open opening system for handleless furniture fronts

► Push to open for hinges



Simple, handleless, good: Push to open for hinges

A gentle press on the door is all it takes for the Push to open piston to move the door into a position that easily lets you get your fingers behind to open it. Depending on use, the door remains in piston end position or swings open widely. The door is closed by pressing on it again.



Take advantage of market potentials:
Simply make furniture stand apart with handleless design - with Push to open from Hettich



Costs under control:
You can also use Push to open with standard hinges and Push to open Pin while leaving production processes unchanged



Maximum customer satisfaction:
Reliable operation, unauthorised unlocking ruled out. Any installation tolerances can be corrected by the large adjustment range.



Future proof and versatile:
Meet tomorrow's demands the easy way. Whichever way furniture trends go, our comprehensive product range has the answer.

► Summary



Push to open for hinges

- Range summary / technical comparison

104 - 107



Push to open Pin

- For screwing on
- For drilling in

108

109



Push to open Pin Strong

- For screwing on
- For drilling in

110

111



Push to open Magnet

- For screwing on
- For drilling in

112

113



Accessories

- Design adapter for Push to open, drill in versions
- Counterplates for Push to open Magnet

114

115






Assembly aids

- For Push to open, drill in versions

116





Push to open opening system for handleless furniture fronts

- ▶ Push to open for hinges
- ▶ Range summary / technical comparison

	Push to open Pin 	Push to open Pin 	Push to open Pin Strong 
Page	109	110	111
Application	<ul style="list-style-type: none"> ▶ Concealed hinges 	<ul style="list-style-type: none"> ▶ Concealed hinges 	<ul style="list-style-type: none"> ▶ Concealed hinges ▶ For use in combination with particularly tall and / or heavy doors
Door mounting option	<ul style="list-style-type: none"> ▶ Full overlay ▶ Half overlay ▶ Inset 	<ul style="list-style-type: none"> ▶ Full overlay 	<ul style="list-style-type: none"> ▶ Full overlay ▶ Half overlay ▶ Inset
Installation	<ul style="list-style-type: none"> ▶ For screwing on 	<ul style="list-style-type: none"> ▶ For drilling in 	<ul style="list-style-type: none"> ▶ For screwing on
Material / colour	Plastic <ul style="list-style-type: none"> ▶ anthracite ▶ light grey ▶ white 	Plastic <ul style="list-style-type: none"> ▶ anthracite ▶ light grey ▶ white 	Plastic <ul style="list-style-type: none"> ▶ anthracite ▶ light grey ▶ white

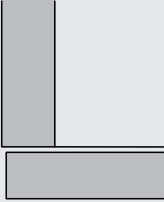
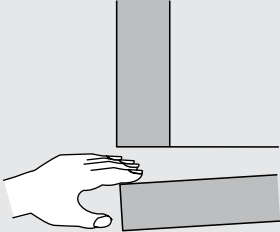
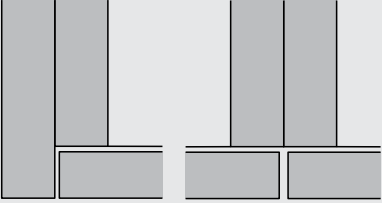
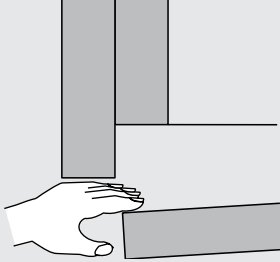
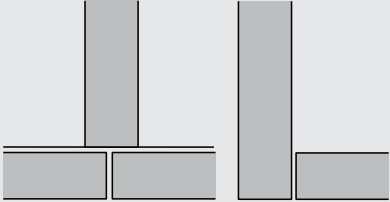
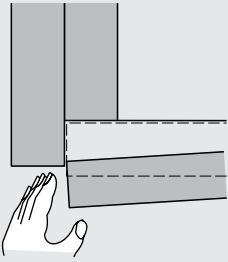
Push to open opening system for handleless furniture fronts

- ▶ Push to open for hinges
- ▶ Range summary / technical comparison

Push to open Pin Strong 	Push to open Magnet 	Push to open Magnet 	Designer adapter 
112	113	114	115
<ul style="list-style-type: none"> ▶ Concealed hinges ▶ For use in combination with particularly tall and / or heavy doors 	<ul style="list-style-type: none"> ▶ Hinges without self closing feature 	<ul style="list-style-type: none"> ▶ Hinges without self closing feature 	<ul style="list-style-type: none"> ▶ Concealed hinges ▶ Hinges without self closing feature
<ul style="list-style-type: none"> ▶ Full overlay 	<ul style="list-style-type: none"> ▶ Full overlay ▶ Half overlay ▶ Inset 	<ul style="list-style-type: none"> ▶ Full overlay 	<ul style="list-style-type: none"> ▶ Full overlay ▶ Half overlay ▶ Inset (long stroke length)
<ul style="list-style-type: none"> ▶ For drilling in 	<ul style="list-style-type: none"> ▶ For screwing on 	<ul style="list-style-type: none"> ▶ For drilling in 	<ul style="list-style-type: none"> ▶ For screwing on
Plastic <ul style="list-style-type: none"> ▶ anthracite ▶ light grey ▶ white 	Plastic <ul style="list-style-type: none"> ▶ white 	Plastic <ul style="list-style-type: none"> ▶ white 	<ul style="list-style-type: none"> ▶ Zinc die-cast nickel plated

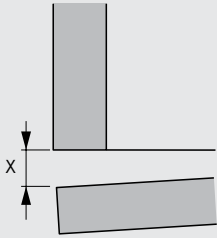

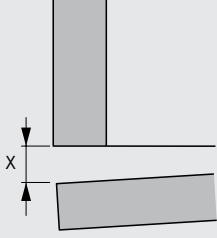

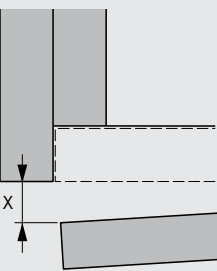
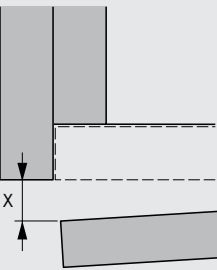
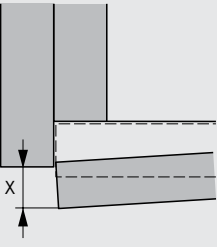
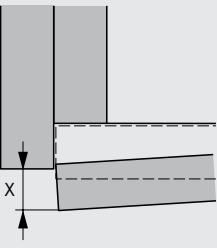
Push to open opening system for handleless furniture fronts

- ▶ Push to open for hinges
- ▶ Application areas / recommended applications

1 Design	2 Door use	3 Hinge function
<p>The door is freely accessible from the side. Full overlay (non adjacent components)</p> 	<p>Reaching behind the door</p> 	<p>with self closing feature</p> <hr/> <p>without self closing feature</p>
<p>The door is not freely accessible from the side because it is adjacent to another component.</p> <p>Full overlay (e.g. adjacent panel, another cabinet)</p> 	<p>Reaching in behind the door</p> 	<p>with self closing feature</p> <hr/> <p>without self closing feature</p>
<p>Half overlay Inset</p> 	<p>Reaching in at side of door</p> 	<p>with self closing feature</p> <hr/> <p>without self closing feature</p>

Push to open opening system for handleless furniture fronts

- ▶ Push to open for hinges
- ▶ Application areas / recommended applications

4 Finger pull space / finger pull area X		5 Recommended products
	X = approx. 14 mm	Push to open Pin, short version
	X = approx. 37 mm	Push to open Pin, long version
	X = 14 mm min. The hinges used make the door open further.	Push to open Magnet, short version
	X = 37 mm min. The hinges used make the door open further.	Push to open Magnet, long version
	If the adjacent component projects in front of the door the finger pull space / finger pull area is reduced accordingly. Finger pull space X is defined by the stroke length of 37 mm less door thickness.	Push to open Pin, long version
	If the adjacent component projects in front of the door the finger pull space / finger pull area is reduced accordingly. Finger pull space X is defined by the stroke length of 37 mm less door thickness. The hinges used make the door open further.	Push to open Magnet, long version
	X = approx. 14 mm If the adjacent component projects in front of the door the finger pull space / finger pull area X is reduced accordingly.	Push to open Pin, short version
	X = 14 mm min. If the adjacent component projects in front of the door the finger pull space / finger pull area X is reduced accordingly. The hinges used make the door open further.	Push to open Magnet, short version

Push to open opening system for handleless furniture fronts

- ▶ Push to open Pin for screwing on
- ▶ For hinges with self closing feature



- ▶ For use with concealed hinges
- ▶ Suitable for full overlay, half overlay and inset doors
- ▶ Large adjustment range of 6 mm
- ▶ Activating gap 1.4 mm
- ▶ For using short / long versions, see „Application areas / recommended applications“, pages 122 - 123
- ▶ For installation, see installation notes, pages 135 - 137
- ▶ Plastic

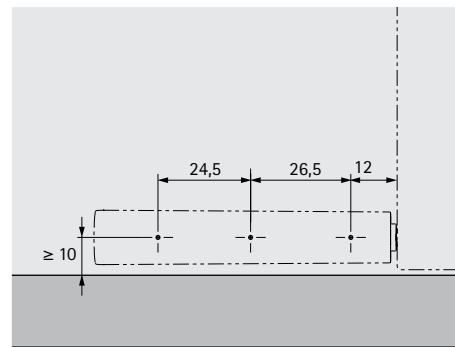
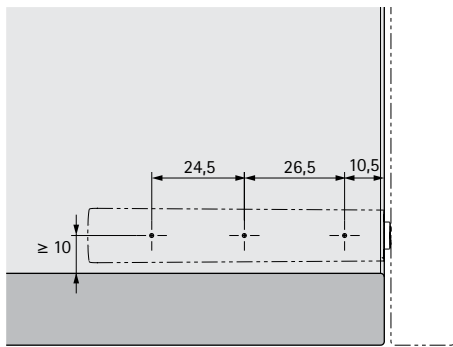
Push to open Pin



- Set comprises:
- ▶ 1 Push to open Pin
 - ▶ 1 adapter top part
 - ▶ 1 adapter base part

Article	Order no. / colour			PU
	anthracite	light grey	white	
Long version	9 089 626	9 089 601	9 089 587	25 set

Drilling pattern for long version, overlay door or inset door



Push to open opening system for handleless furniture fronts

- ▶ Push to open Pin for drilling in
- ▶ For hinges with self closing feature



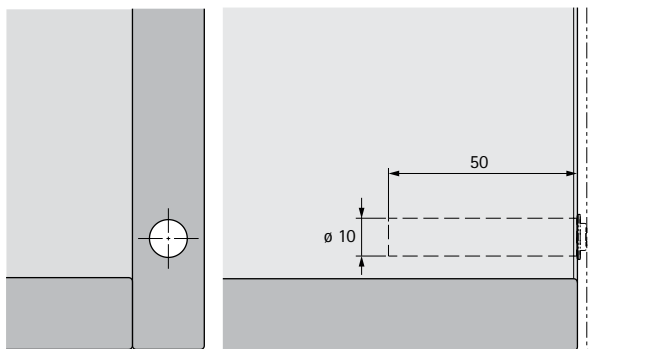
- ▶ For use with concealed hinges
- ▶ For full overlay doors
- ▶ Large adjustment range of 6 mm
- ▶ Activating gap 1.4 mm
- ▶ For using short / long versions, see „Application areas / recommended applications“, pages 122 - 123
- ▶ For installation, see installation notes, pages 135 - 137
- ▶ Plastic

Push to open Pin

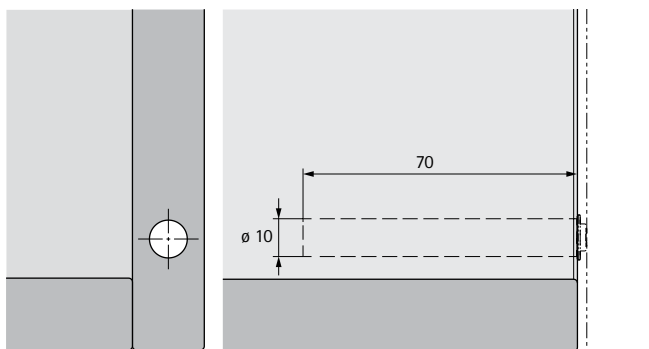


Article	Order no. / colour			PU
	anthracite	light grey	white	
Short version			9 089 588	25 ea.
Long version	9 089 628	9 089 603	9 089 589	25 ea.

Drilling pattern for short version, overlay door



Drilling pattern for long version, overlay door



Push to open opening system for handleless furniture fronts

- ▶ Push to open Pin Strong for screwing on
- ▶ For hinges with self closing feature



- ▶ For use with concealed hinges
- ▶ For use in combination with particularly tall and / or heavy doors for example
- ▶ Suitable for full overlay, half overlay and inset doors
- ▶ Large adjustment range of 6 mm
- ▶ Activating gap 1.4 mm
- ▶ For using short / long versions, see „Application areas / recommended applications“, pages 122 - 123
- ▶ For installation, see installation notes, pages 135 - 137
- ▶ Plastic

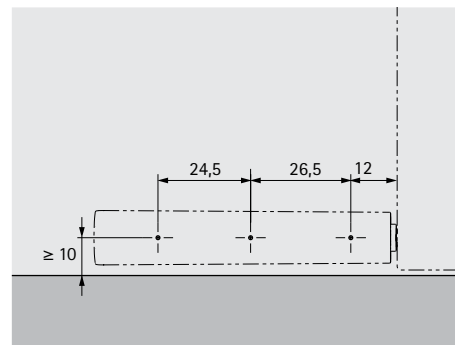
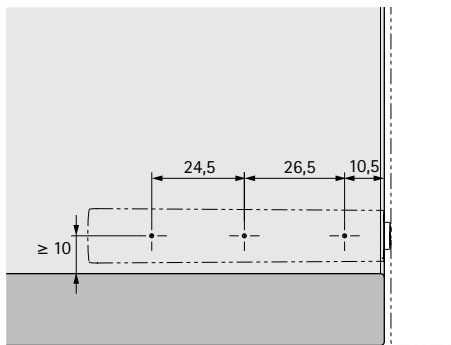
Push to open Pin Strong



- Set comprises:
- ▶ 1 Push to open Pin Strong
 - ▶ 1 adapter top part
 - ▶ 1 adapter base part

Article	Order no. / colour			PU
	anthracite	light grey	white	
Long version	9 089 636	9 089 611	9 089 597	25 set

Drilling pattern for long version, overlay door or inset door



Push to open opening system for handleless furniture fronts

- ▶ Push to open Pin Strong for drilling in
- ▶ For hinges with self closing feature



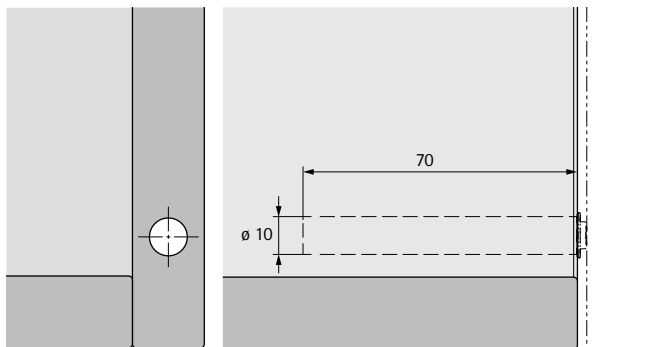
- ▶ For use with concealed hinges
- ▶ For use in combination with particularly tall and / or heavy doors for example
- ▶ Cartridge can be identified by the red end cap
- ▶ For full overlay doors
- ▶ Large adjustment range of 6 mm
- ▶ Activating gap 1.4 mm
- ▶ For using short / long versions, see „Application areas / recommended applications“, pages 122 - 123
- ▶ For installation, see installation notes, pages 135 - 137
- ▶ Plastic

Push to open Pin Strong



Article	Order no. / colour			PU
	anthracite	light grey	white	
Long version	9 089 638	9 089 613	9 089 599	25 ea.

Drilling pattern for long version, overlay door



Push to open opening system for handleless furniture fronts

- ▶ Push to open Magnet for screwing on
- ▶ For hinges without self closing feature



- ▶ For use with hinges without self closing feature
- ▶ Suitable for full overlay, half overlay and inset doors
- ▶ Large adjustment range of 6 mm
- ▶ Activating gap 1.4 mm
- ▶ For using short / long versions, see „Application areas / recommended applications“, pages 122 - 123
- ▶ For installation, see installation notes, pages 135 - 137
- ▶ Plastic

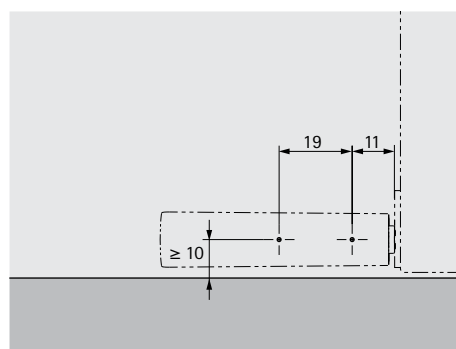
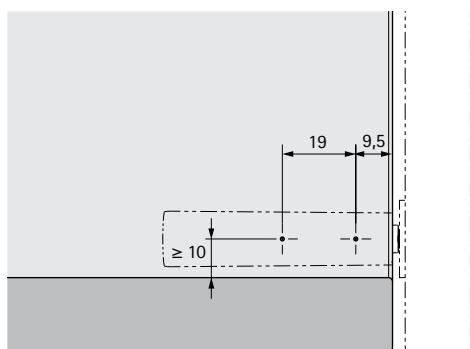
Push to open Magnet



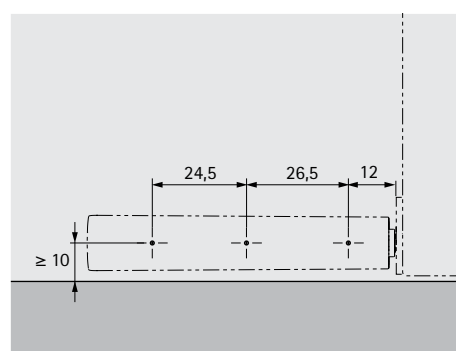
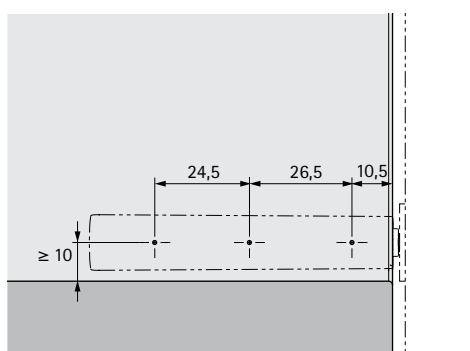
- Set comprises:
- ▶ 1 Push to open Magnet
 - ▶ 1 adapter top part
 - ▶ 1 adapter base part
 - ▶ 1 counterplate for gluing / screwing on

Article	Order no. / colour white	PU
Short version	9 089 590	25 set
Long version	9 089 591	25 set

Drilling pattern for short version, overlay door or inset door



Drilling pattern for long version, overlay door or inset door



Push to open opening system for handleless furniture fronts

- ▶ Push to open Magnet for drilling in
- ▶ For hinges without self closing feature



- ▶ For use with hinges without self closing feature
- ▶ For full overlay doors
- ▶ Large adjustment range of 6 mm
- ▶ Activating gap 1.4 mm
- ▶ For using short / long versions, see „Application areas / recommended applications“, pages 122 - 123
- ▶ For installation, see installation notes, pages 135 - 137
- ▶ Plastic

Push to open Magnet

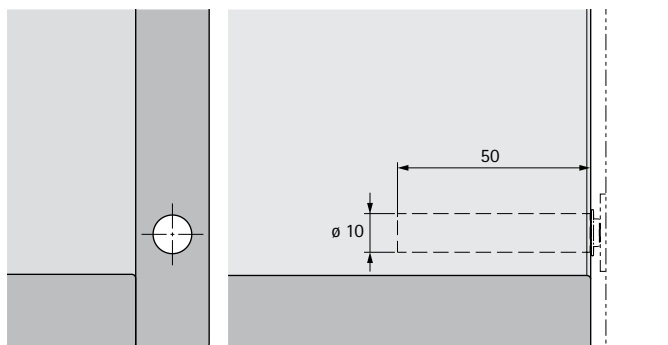


Set comprises:

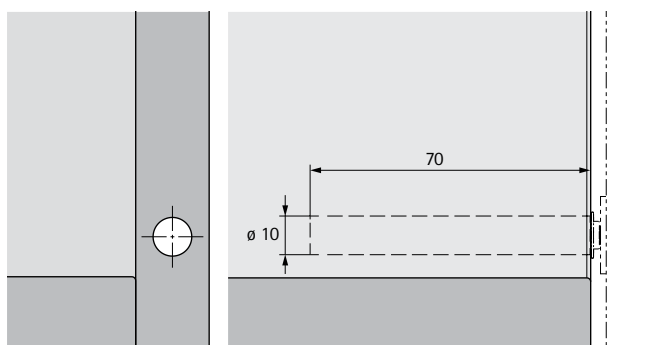
- ▶ 1 Push to open Magnet
- ▶ 1 counterplate for gluing / screwing on

Article	Order no. / colour white	PU
Short version	9 089 592	25 set
Long version	9 089 593	25 set

Drilling pattern for short version, overlay door



Drilling pattern for long version, overlay door



Push to open opening system for handleless furniture fronts

► Accessories

► For Push to open Pin / Push to open Magnet, for drill in versions



- High quality design adapter for upgrading furniture range
- For combination with all Push to open drill in versions
- Push to open drill in version must be ordered separately
- Suitable for full overlay, half overlay and inset doors
- Attachment housing material: plastic, anthracite
- Housing material: zinc die-cast nickel plated

Design adapter

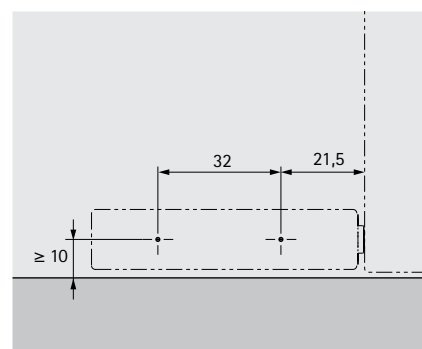
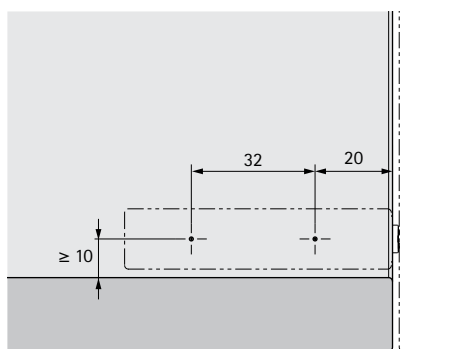


Set comprises:

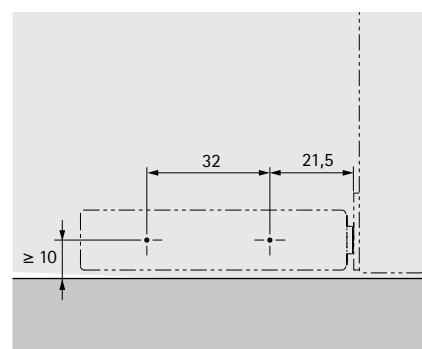
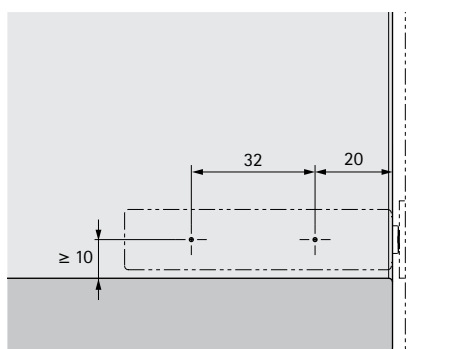
- 1 attachment housing
- 1 design adapter

Order no.	PU
9 089 633	25 set

Drilling pattern for the attachment housing for overlay or inset door with Push to open Pin



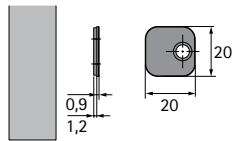
Drilling pattern for the attachment housing for overlay or inset door with Push to open Magnet



Push to open opening system for handleless furniture fronts

- ▶ Accessories
- ▶ For Push to open Magnet

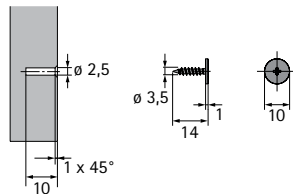
Counterplate for gluing and screwing on



- ▶ Self adhesive type
- ▶ Mounting hole for optional countersunk screw \varnothing 3 mm
- ▶ Counterplate is included with all "Push to open Magnet" and "Push to open Lock" articles
- ▶ Steel

Order no.	PU
9 090 869	100 ea.

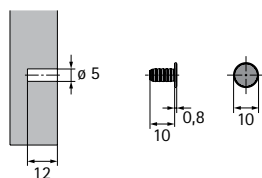
Counterplate for screwing on



- ▶ For drilling \varnothing 2.5 x 10 mm
- ▶ For use with PZ 1 screwdriver
- ▶ Steel, nickel plated

Order no.	PU
9 090 845	100 ea.

Counterplate for pressing in



- ▶ For \varnothing 5 x 12 mm drilling
- ▶ Steel, nickel plated

Order no.	PU
9 090 846	100 ea.

Push to open opening system for handleless furniture fronts

- ▶ Assembly aids
- ▶ Drilling jig for Push to open drill in versions

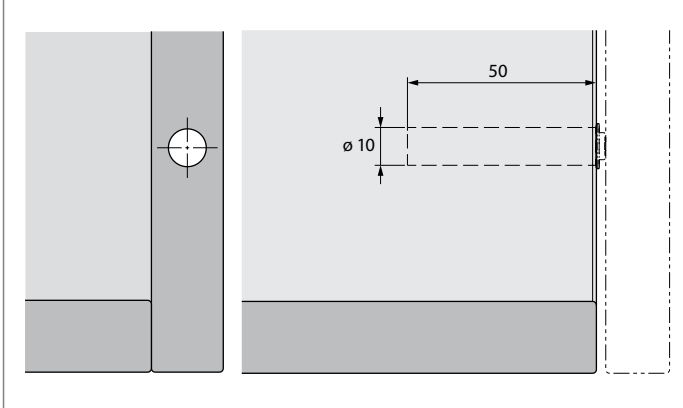
Drilling jig for Push to open



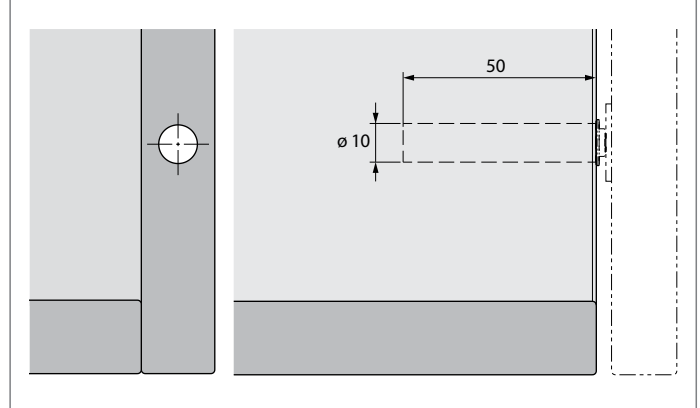
- ▶ For drilling the horizontal drill hole on the carcass for Push to open drill in version
- ▶ Suitable for all material thicknesses
- ▶ Drilling bush in hardened steel
- ▶ Plastic
- ▶ Drill bit and setting ring are not included

Order no.	PU
9 207 524	1 ea.

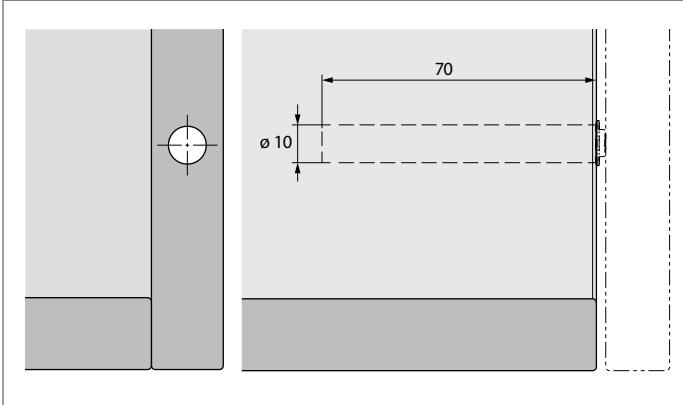
Drilling pattern for short version, Push to open Pin



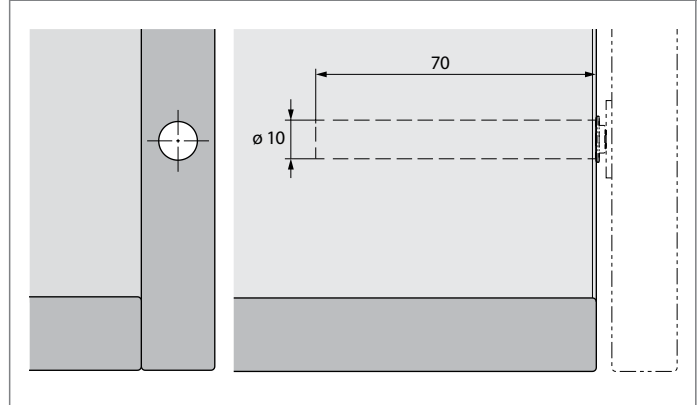
Drilling pattern for short version, Push to open Magnet



Drilling pattern for long version, Push to open Pin



Drilling pattern for long version, Push to open Magnet





Flexibility and competency in meeting specific customer demands too

The range of special hinges provides the right fitting for particular applications, such as folding doors, refrigerator

surrounds or flaps. It is also just as easy to produce designs with thin front panel materials, front frame constructions, or cases where no cup drilling can be made.



For thin materials
Glass door hinges for overlay or inset doors.



For folding doors
Centre hinges in a variety of types.



For refrigerator surrounds
Hinge with slim arm and door-on-door slider fitting for connecting furniture and refrigerator door.



For flaps
Markant flap hinges for combining with a flap stay.

Special hinges

► Range summary



Centre hinges

120 - 121



ET 582 for refrigerator surrounds

122



Door-on-door slider fitting for refrigerator surrounds

123



Glass door hinges

124



Flap hinges

125



Optimat Plus 4 FM concealed hinge for front frame

126



Easys electromechanical opening system

128



Kamat guiding hinge

129

Special hinge

- ▶ Centre hinge
- ▶ For folding doors, opening angle 180°

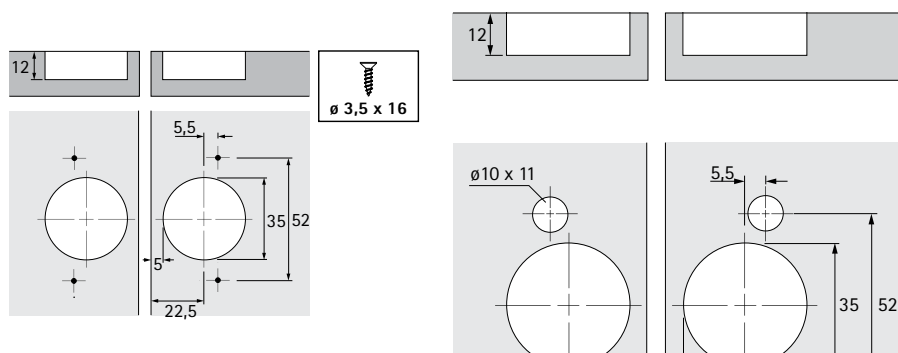


- ▶ Centre hinge for folding doors
- ▶ For door thicknesses over 15 mm
- ▶ Same drilling pattern for door and side element, both elements are mounted separately
- ▶ The reveal can be infinitely adjusted from minimum reveal to + 4 mm, application is always flush
- ▶ Gradual adjustment of the pivot offset with 0 mm, 3 mm and 6 mm
- ▶ Zinc die-cast nickel plated

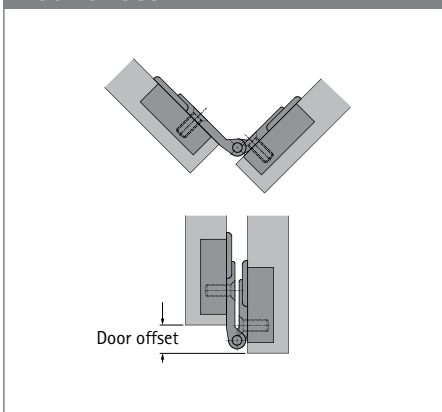
Centre hinge with adjustable offset pivot

Mounting option	Order no.	PU
for screwing on	0 046 787	10 ea.
for pressing in	0 052 095	10 ea.

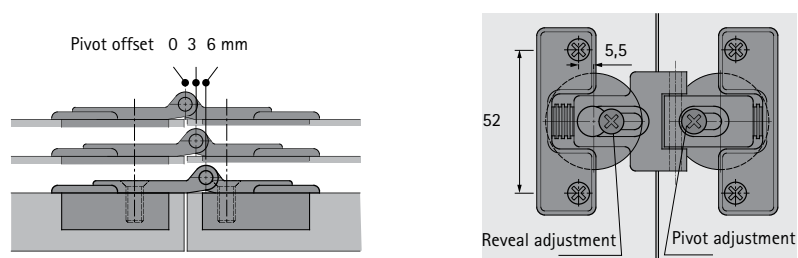
Drilling pattern for screwing on / for pressing in



Door offset



Pivot offset



Pivot offset mm	Door offset mm
0	0
3	6
6	12

By way of example for reveal = 3 mm

Special hinge

- ▶ Centre hinge
- ▶ For folding doors, opening angle 180

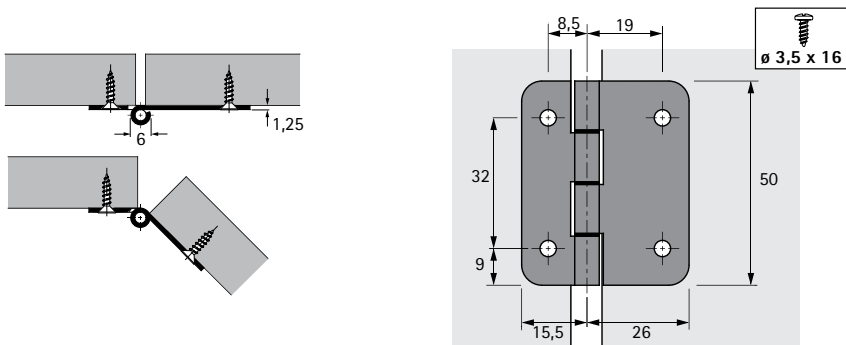


- ▶ Centre hinge for folding doors
- ▶ Can be installed at the centre or with pivot offset
- ▶ Top running performance due to abrasion-resistant distance rings with pivot bearing
- ▶ With fixed steel pin
- ▶ Steel, nickel plated

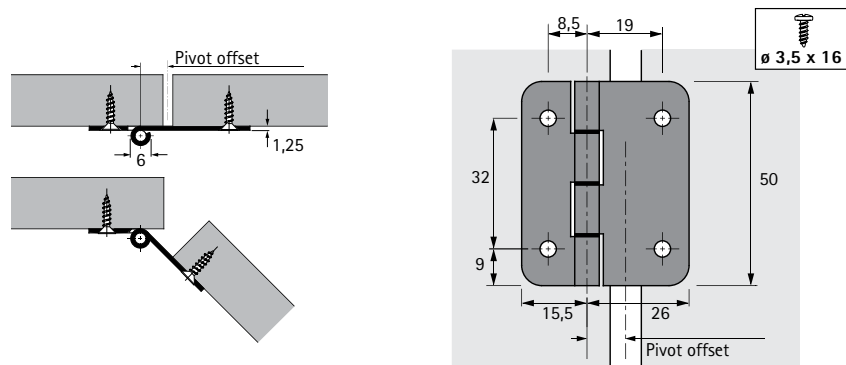
Centre hinge

Order no.	PU
0 071 648	10 ea.

Centred mounting



Mounting with pivot offset



Special hinge

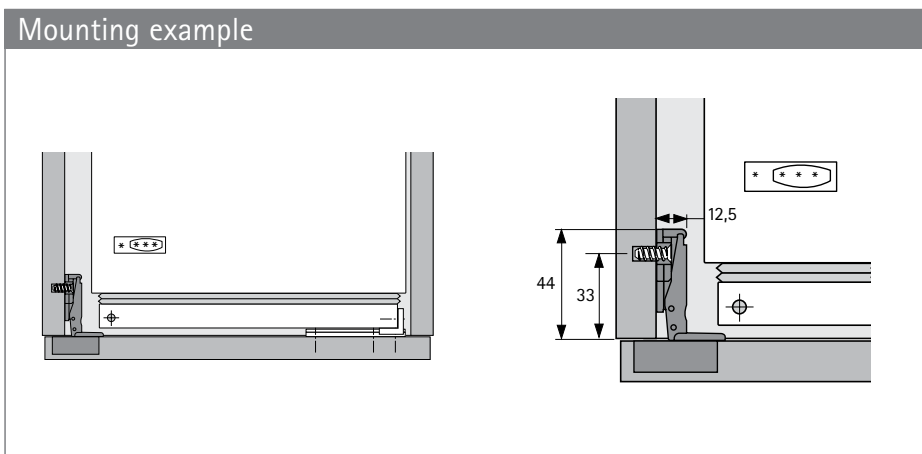
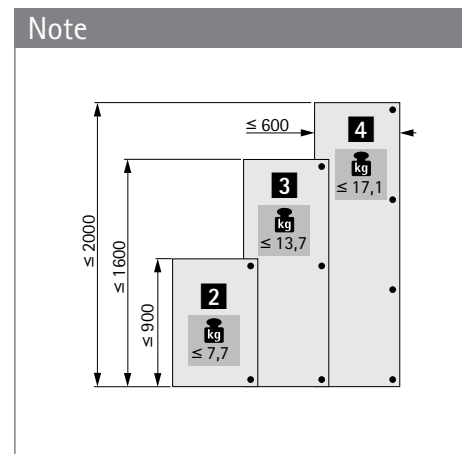
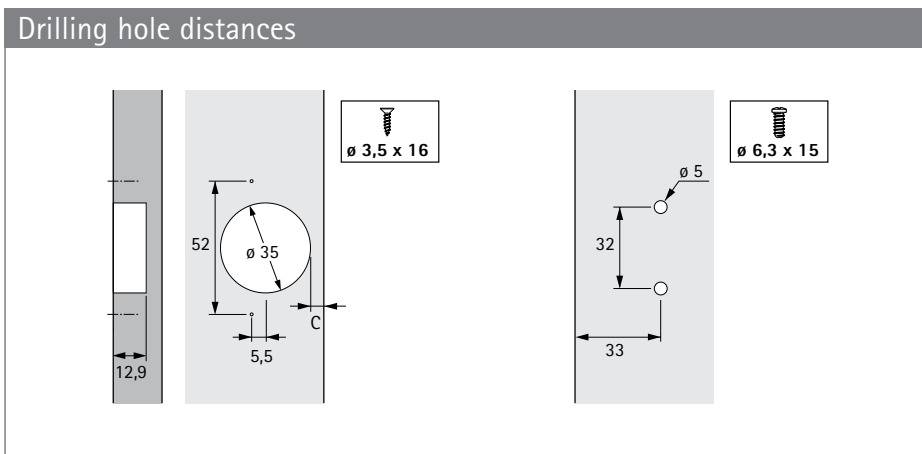
- ▶ ET 582
- ▶ For refrigerator surrounds, opening angle 95°



- ▶ Special hinge with short hinge protrusion for refrigerator surrounds
- ▶ Cup diameter 35 mm
- ▶ Cup depth 12.8 mm
- ▶ With stay closed function
- ▶ Including mounting plate and distance plate (distance = 3 mm) for overlays of 13 - 18 mm
- ▶ Integrated overlay adjustment + 1 mm / - 1 mm
- ▶ Integrated depth adjustment + 3 mm / - 3 mm
- ▶ Hinge arm material: nickel plated steel
- ▶ Cup hinge material: zinc die-cast nickel plated
- ▶ Distance plate material: white plastic

Special hinge ET 582

Order no.	PU
0 072 134	10 ea.



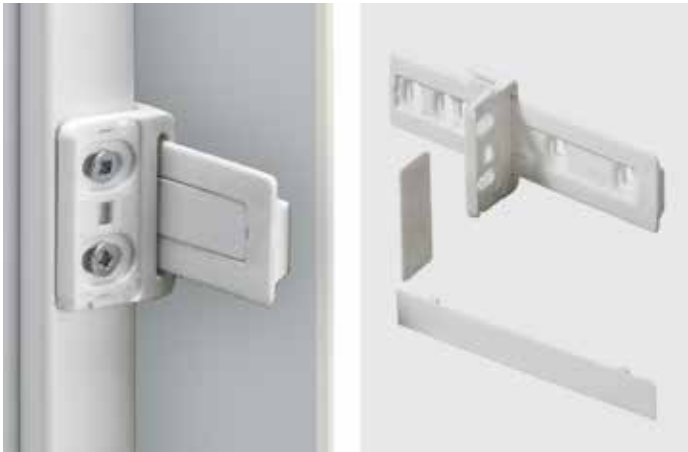
Note

A door-on-door slider fitting can be used for connecting the furniture door to the refrigerator door.

Mounting plate with plastic distance plate = 3 mm distance		Mounting plate without plastic distance plate = 0 mm distance	
Dimension C mm	Overlay mm	Dimension C mm	Overlay mm
3.0	13.0	3.0	16.0
3.5	13.5	3.5	16.5
4.0	14.0	4.0	17.0
4.5	14.5	4.5	17.5
5.0	15.0	5.0	18.0

Special hinge

- ▶ Door-on-door slider fitting for refrigerator surrounds
- ▶ For hinged doors



- ▶ Suitable for built-in refrigerators
- ▶ Allows cabinet and refrigerator door to be opened simultaneously
- ▶ All-inclusive set complete with guide profile, adapter for refrigerator door and cover caps
- ▶ Plastic, white

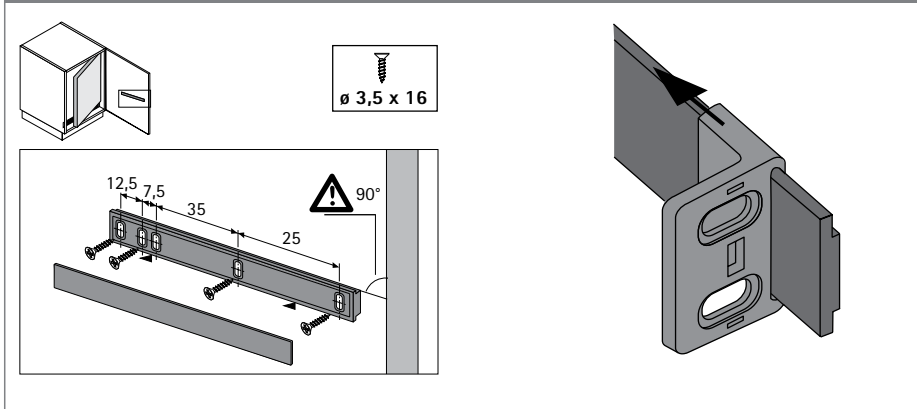
Set comprises:

- ▶ 1 runner
- ▶ 1 cover cap for runner
- ▶ 1 adapter for refrigerator door
- ▶ 1 cover cap for adapter for refrigerator door

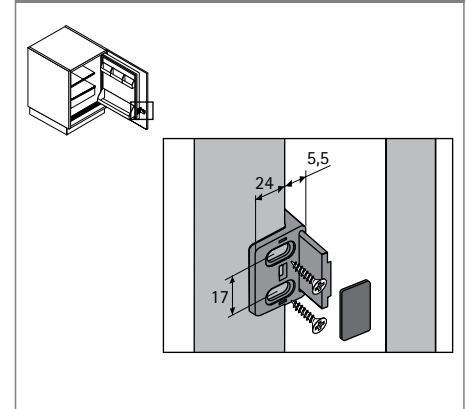
Door-on-door slider fitting for refrigerator surrounds

Order no.	PU
9 079 390	1 set

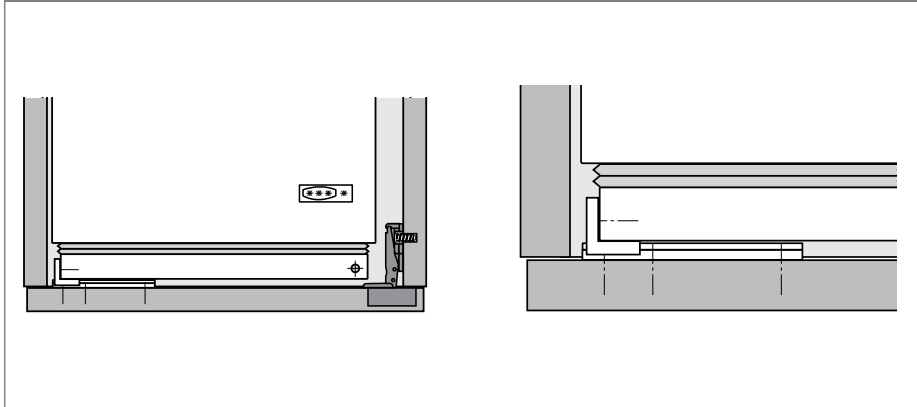
Installation



Installation



Mounting example



Special hinge

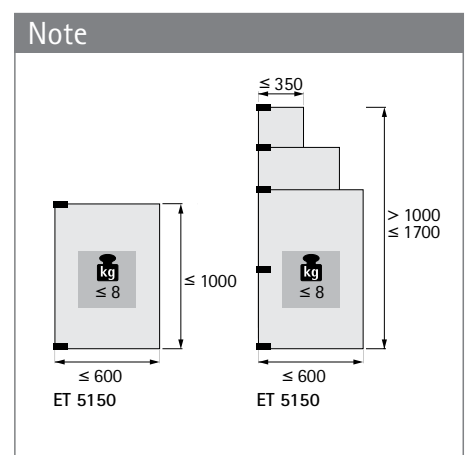
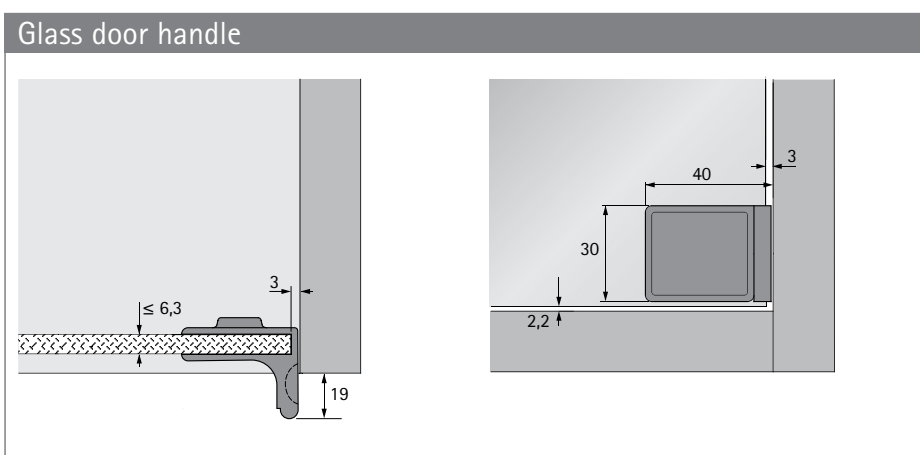
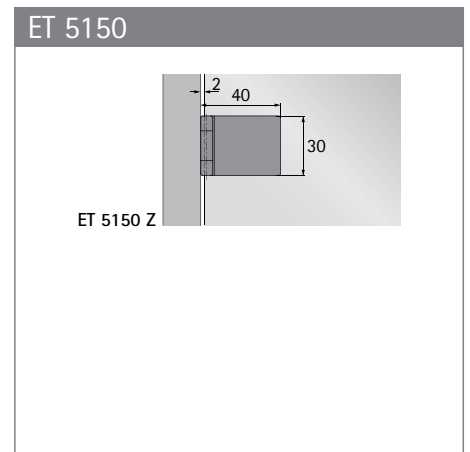
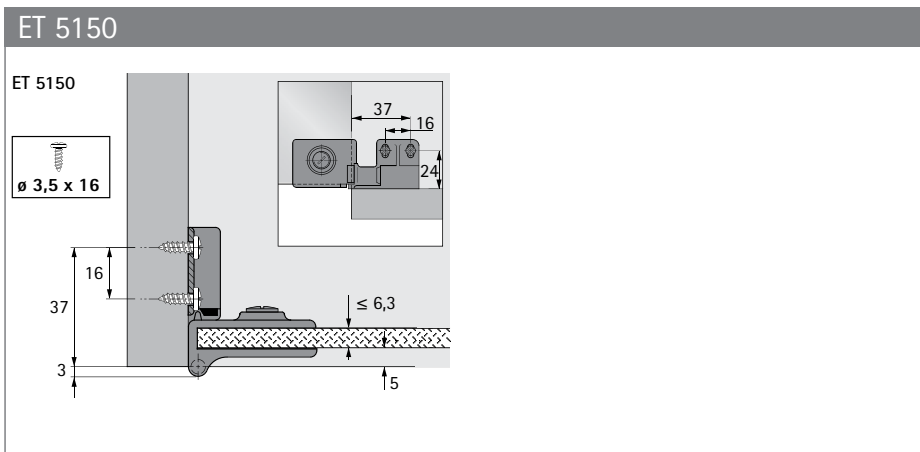
- ▶ Glass door hinge ET 5150
- ▶ For inset doors



- ▶ Glass door hinge with stay close function for inset doors
- ▶ 170° opening angle
- ▶ ET 5150 and glass door handle: easy installation by clamping screw, no need to drill holes in the glass
- ▶ 12 mm \varnothing hole must be drilled in the glass
- ▶ Hinge including stick on anti slip element
- ▶ Door format:
 - Height = inside carcase height - 4.4 mm
 - With glass door handle: width = inside carcase width - 5 mm
 - With other handle: width = inside carcase width - 4 mm
- ▶ Zinc die-cast, matt nickel plated

Glass door hinge ET 5150

Article	Order no.	PU
Glass door hinge ET 5150	0 024 908	1/20 pair
Glass door handle	0 025 314	1/20 ea.



Special hinge

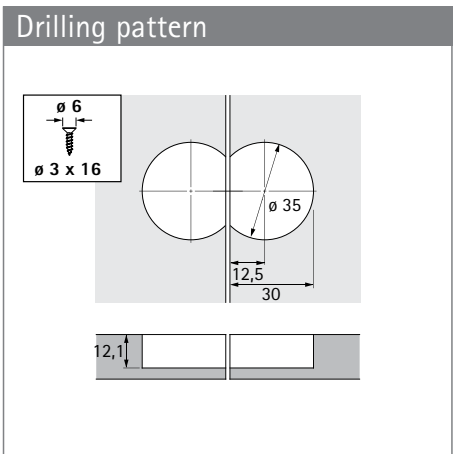
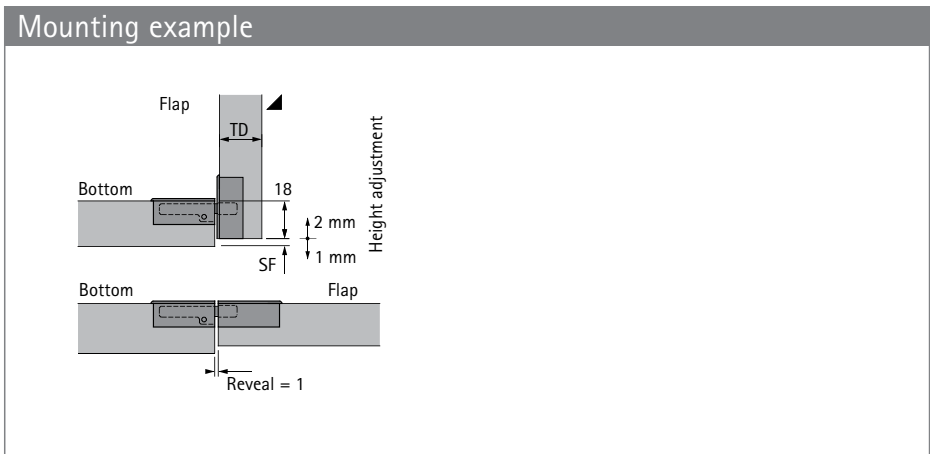
- ▶ Flap hinge Markant 11
- ▶ For overlay flaps



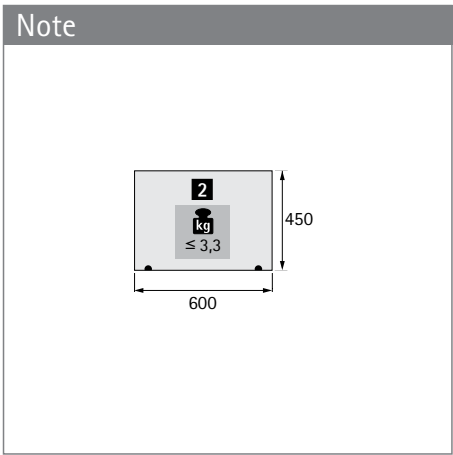
- ▶ Flap hinge for overlay flaps
- ▶ Quality classification under EN 15828, Level 2
- ▶ Separate installation of bottom panel and flap element
- ▶ Flap alignment through adjustment of height, sides and depth
- ▶ Same drilling sizes in bottom panel and flap elements
- ▶ Hole drilling concealed by rim on both parts
- ▶ Without height adjustment, bottom panel and flap are flush on the inside when open
- ▶ Can only be used in conjunction with flap stays
- ▶ Nickel plated zinc die-cast

Flap hinge Markant 11

Order no.	PU
0 040 242	1/20 ea.



Flap thickness TD mm	Minimum reveal SF mm
16	1.0
17	2.0
18	3.0
19	3.5
20	4.5



Special hinge

- ▶ Optimat Plus 4 FM
- ▶ Concealed hinge for front frame, opening angle 110°

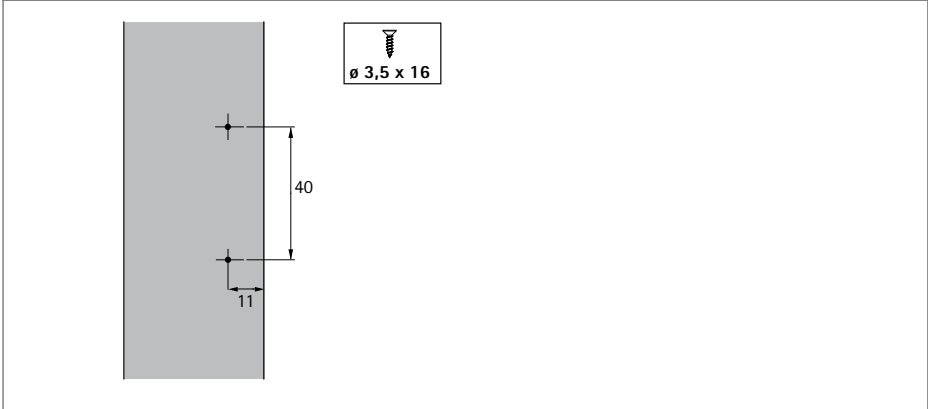


- ▶ Suitable for all frame widths
- ▶ Quality classification under EN 15570, Level 1
- ▶ For doors over 13 mm thick
- ▶ Cup diameter 35 mm
- ▶ Cup depth 11 mm
- ▶ With self closing feature
- ▶ Door reveal at least 37 mm (hinge arm flush with the edge of the frame)
- ▶ Cup distance 2.5 mm
- ▶ Overlay adjustment + 1.5 mm / - 1.5 mm
- ▶ Height adjustment + 2 mm / - 2 mm
- ▶ Steel, nickel plated

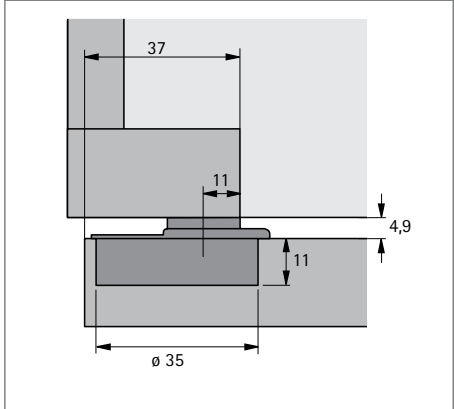
Optimat Plus 4 FM

Order no.	PU
9 072 548	1/50 ea.

Drilling hole distances for frame / door

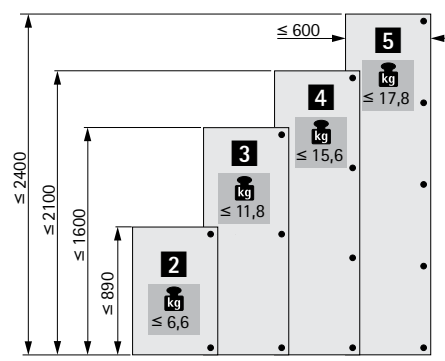


Mounting example



Number of hinges per door

Door format, weight and material quality are crucial factors determining the number of hinges required. The distance between the top and bottom hinge must be at least equal to the width of the door.



Minimum reveal per door

Door thickness mm	Cup distance C mm
16	2.5
19	4.2
	6.7

Electromechanical opening system for handleless furniture fronts

► Easys



Luxurious opening

Easys opens the door to handleless fronts. Easys opens the door electromechanically in response to a light press on the front. And closes it automatically after 4 to 8 seconds. Without getting fingers trapped because they are safely out

of the way. A particular advantage: the fitting is 22 mm shallow – the lowest installed height on the market. Use Easys for handleless furniture design throughout.



Handleless design throughout: Handleless design fascinates with clean looking lines and generously proportioned surfaces.



Integrate slim line elegance: At a mere 22 mm, Easys provides the lowest overall height on the market.



Reliable opening and closing: The perfected control system prevents unintentional opening. This makes power assisted closing unnecessary.

Find out more: You can get inspiration and further product details on our website.

Easys electromechanical opening system

- ▶ For refrigerators
- ▶ For screwing on



- ▶ Electromechanical opening system for refrigerators
- ▶ Quality grades in line with EN 15570, Level 3
- ▶ For installing in refrigerator surround (500 - 600 mm width)
- ▶ For attachment by chipboard screws

Easys for refrigerators



Set comprises:

- ▶ 1 Easys function unit
- ▶ 3 spacer
- ▶ 1 power supply unit
- ▶ 1 power cable with 4 different adapters (including australian option)
- ▶ 2 drilling templates
- ▶ 1 design profile
- ▶ 2 designer sockets
- ▶ 1 counterplate
- ▶ 4 tolerance plates
- ▶ 7 chipboard screws, \varnothing 3.5 x 30 mm

Order no.	PU
9 210 848	1 set

Special hinge

- ▶ Kamat guiding hinge
- ▶ For refrigerator surrounds, opening angle 115°



- ▶ For extra high furniture fronts
- ▶ For refrigerator surrounds with precision reveal alignment
- ▶ Guiding hinge for screwing on
- ▶ Can only be used in combination with Hettich K hinges
- ▶ For cabinet bodies with 19 mm or 16 mm side panels
- ▶ Installed depth 41.5 mm
- ▶ Material galvanised steel

Set comprises:

- ▶ Hinge
- ▶ Drilling template
- ▶ Spacer for 16 mm cabinet body
- ▶ Distance plates
- ▶ Cover cap, white
- ▶ Fixing screws
- ▶ Installation instructions

Order no.	PU
9 239 784	1 set

Kamat cover cap, window grey, optional



Order no.	PU
9 248 766	50 ea.

Order number index

Order no.	Page	Order no.	Page	Order no.	Page	Order no.	Page
0 024 908	124	1 058 365	68	9 071 658	91	9 073 705	17
0 025 048	97	1 058 371	68	9 072 524	52	9 073 706	17
0 025 204	96	1 061 347	82	9 072 525	52	9 075 009	90
0 025 314	124	9 043 361	65	9 072 526	52	9 075 059	90
0 040 242	125	9 043 262	86	9 072 533	93	9 075 108	64
0 040 341	84	9 043 629	68	9 072 534	93	9 075 122	64
0 040 495	84	9 043 640	64	9 072 535	93	9 076 440	94
0 041 296	96	9 043 641	64	9 072 536	93	9 079 298	97
0 045 036	86	9 043 642	64	9 072 540	94	9 079 390	123
0 045 037	86	9 043 668	80	9 072 541	94	9 079 639	18
0 045 169	96	9 043 669	820	9 072 548	126	9 081 657	95
0 046 695	97	9 043 672	82	9 072 563	65	9 082 429	96
0 046 787	120	9 044 823	86	9 072 569	65	9 088 016	36
0 047 451	97	9 071 205	14	9 072 570	65	9 088 019	40
0 047 452	97	9 071 206	14	9 072 571	65	9 088 021	46
0 048 096	80	9 071 207	14	9 073 567	14	9 088 034	36
0 048 097	80	9 071 208	14	9 073 568	14	9 088 037	40
0 052 095	120	9 071 209	14	9 073 595	94	9 088 039	46
0 060 576	100	9 071 210	14	9 073 612	14	9 088 057	46
0 060 579	101	9 071 211	14	9 073 613	14	9 088 070	36
0 060 581	99	9 071 262	16	9 073 614	14	9 088 073	40
0 070 712	84	9 071 575	90	9 073 615	14	9 088 075	46
0 070 713	864	9 071 576	90	9 073 616	14	9 088 085	40
0 071 648	121	9 071 577	90	9 073 638	16	9 088 087	46
0 072 134	122	9 071 578	90	9 073 640	16	9 088 100	37
0 072 960	84	9 071 595	90	9 073 642	16	9 088 103	42
0 072 967	84	9 071 596	90	9 073 643	16	9 088 123	48
0 072 968	84	9 071 597	90	9 073 644	16	9 088 139	42
0 077 699	80	9 071 598	90	9 073 645	16	9 088 141	48
0 077 700	80	9 071 625	90	9 073 646	16	9 088 159	48
0 077 708	82	9 071 626	90	9 073 665	17	9 088 179	43
0 077 709	82	9 071 627	90	9 073 666	17	9 088 199	49
1 004 895	97	9 071 628	90	9 073 667	17	9 088 215	453
1 029 518	64	9 071 650	91	9 073 668	17	9 088 217	49
1 029 520	64	9 071 651	91	9 073 668	19	9 088 229	49
1 030 620	64	9 071 652	91	9 073 688	14	9 088 249	93
1 030 622	64	9 071 653	91	9 073 695	16	9 088 250	93
1 030 922	64	9 071 655	91	9 073 696	16	9 088 251	93
1 030 924	64	9 071 656	91	9 073 697	16	9 088 253	96
1 031 071	64	9 071 657	91	9 073 704	17	9 089 587	108

Order number index

Order no.	Page	Order no.	Page	Order no.	Page	Order no.	Page
9 089 588	109	9 091 741	18	9 094 296	26	9 117 472	92
9 089 589	109	9 091 742	18	9 094 360	28	9 117 716	72
9 089 590	112	9 091 743	18	9 094 361	28	9 117 717	72
9 089 591	112	9 091 744	52	9 094 366	28	9 117 718	72
9 089 592	113	9 091 747	41	9 099 540	30	9 207 524	116
9 089 593	113	9 091 748	47	9 099 541	30	9 210 848	128
9 089 597	110	9 091 753	21	9 099 542	30	9 217 435	97
9 089 599	111	9 091 767	31	9 099 543	30	9 238 321	97
9 089 601	108	9 091 768	31	9 099 546	30	9 239 784	129
9 089 603	109	9 091 769	34	9 099 551	30	9 248 766	129
9 089 611	110	9 091 770	34	9 099 600	32		
9 089 613	111	9 091 771	17	9 099 601	32		
9 089 628	109	9 091 772	17	9 099 603	32		
9 089 633	114	9 091 773	17	9 099 606	32		
9 089 636	110	9 091 774	18	9 099 610	32		
9 089 638	111	9 091 775	18	9 099 661	33		
9 089 626	108	9 091 776	18	9 099 663	33		
9 090 107	54	9 091 779	41	9 099 666	33		
9 090 109	54	9 091 780	47	9 099 673	33		
9 090 110	54	9 091 789	31	9 099 750	76		
9 090 111	54	9 091 791	34	9 099 751	76		
9 090 111	88	9 091 793	27	9 099 752	76		
9 090 113	56	9 091 799	92	9 099 756	76		
9 090 260	20	9 091 800	92	9 099 760	76		
9 090 261	20	9 091 801	92	9 099 761	76		
9 090 756	94	9 091 802	92	9 099 811	77		
9 090 845	115	9 091 803	92	9 099 816	77		
9 090 846	115	9 091 804	92	9 099 821	77		
9 090 864	95	9 091 805	92	9 099 870	93		
9 090 869	115	9 091 806	92	9 099 871	93		
9 091 402	20	9 091 821	95	9 101 552	96		
9 091 406	20	9 091 822	95	9 102 082	96		
9 091 410	20	9 094 270	26	9 103 006	95		
9 091 420	20	9 094 271	26	9 116 394	55		
9 091 490	22	9 094 276	26	9 116 398	55		
9 091 580	23	9 094 280	26	9 117 341	91		
9 091 761	27	9 094 281	26	9 117 342	91		
9 091 738	17	9 094 286	26	9 117 344	91		
9 091 739	17	9 094 290	26	9 117 388	91		
9 091 740	17	9 094 291	26	9 117 471	92		



Hettich accepts responsibility for the world we live in. This awareness defines the strict policy of environmental management that we practise. Our environmental officer has taken personal responsibility for these aspects throughout the group of companies over a period of many years. In addition, a separate environment committee has been established for each production site. We regard statutory provisions as minimum requirements. At significant sites we also implement the stringent EMAS Regulation. And we drive forward developments that in future will help to save even more raw materials and support the necessary endeavours towards sustainability.

Hettich environmental management

In 1996 Hettich started introducing effective environmental management systems under the stringent EMAS Regulation (currently: EC Regulation No. 761/2001, including EN ISO 14.001/2004). This not only enables us to improve

our environmental performance on a broad front but also to achieve a high level of safety which, not least, also benefits our customers. This is why we also require our suppliers to meet the necessary minimum standards of environmental protection, industrial safety, health care and social welfare.

The results achieved in the drawer runner and drawer system product segment at the Kirchlengern operation illustrate the impressive effects these measures have and verifiably demonstrate our tireless endeavours to translate words into action:

Relief to the environment between 1997 and 2008:

Specific water consumption:	56 percent
Specific power consumption:	21 percent
Specific heat consumption:	84 percent
Specific CO2 emissions:	29 percent



Hettich standard for product materials

Hettich underpins its commitment by applying an internal standard for product materials. This ensures that every product – from production to disposal – satisfies all environmental requirements. Hettich products are durable. Appropriately foresighted, our rigorous standards are formulated to ensure that international legislation is also met. This provides a reliable basis for marketing furniture worldwide.

Zero energy building – Hettich Forum

The Hettich Forum building with its neutral energy balance is a shining example of future proof building design. Photovoltaic panels and solar collection system providing hot water as well as extensive roof greening and use of rain water underscore this building's overall

sustainability concept in just the same way as the broad use of cellulose insulation material from recycled newspapers, highly efficient heat recovery and the bulb free lighting concept do.

With the Hettich group of companies having acquired European Commission GreenBuilding Partner status on 5 March 2009, the comprehensive approach demonstrated by the Hettich Forum has also convinced the adjudicating panel of the national „Green Building Award 2009“. Hettich received the first prize to be presented in the „New Building“ category.

Technik für Möbel



Technical information/legal notice

General technical conditions

The fitting information, screw fixing points and load capacity information contained in this catalogue assume proper attachment using screws specified by Hettich to a chipboard panel providing a screw pull out resistance of at least 1,000 N in accordance with EN 320.

Hettich accepts no responsibility for the load capacity of furniture and its components if materials or fastening methods are used other than those stated; the furniture manufacturer must verify load capacity.

The fitting situations shown in this catalogue are only intended to illustrate the possible options.

The furniture manufacturer is responsible for ensuring that furniture is designed in compliance with standards, in particular with regard to meeting the requirements on safety.

We will be pleased to provide any further information you may require.

General Terms of Sale and Delivery

All products and services will be provided exclusively on the basis of our General Terms of Sale and Delivery published on our website at www.hettich-agb.com.

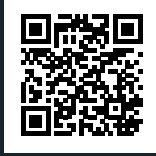
Legal notice

© Hettich Marketing- und Vertriebs GmbH & Co. KG
32278 Kirchlengern · Germany

August 2022

We reserve all rights to this catalogue under copyright law. It shall not be permissible to duplicate this catalogue in any form either in whole or in part without our written consent. Subject to technical alterations. Errors and omissions excepted. Subject to colour variations.

Order no. 9 234 457



Order no.: 9 234 457 1612-020_Hinges_12/20_HAU_NZ/en

Technik für Möbel

