

UNICLASS L721:N5352	EPIC H12:Y3107
CI/SfB (74.2)	(U35)

RIBA CLASSIFICATION

Modular Seat Pole & Seat Top

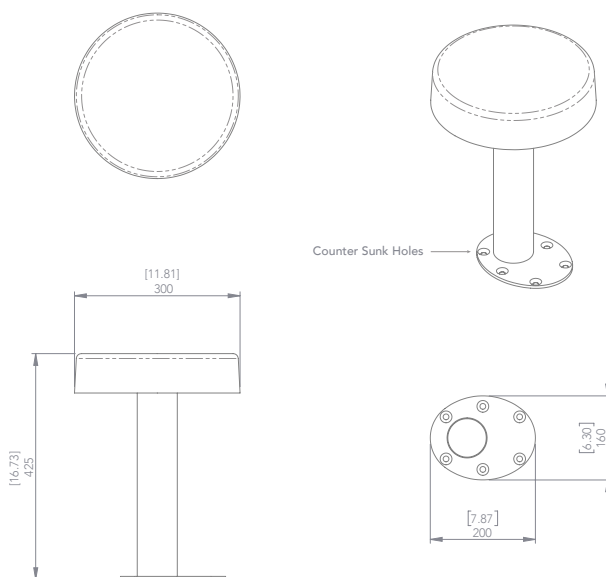
CODE: WM-MOD-SP-PREMIUM

Specification Sheet

Metric & Imperial



Silver Seat Pole and White Seat Top



All dimensions in mm and inches

The information in this specification sheet reflects the current technical specifications at the time of print. We reserve the right to change the technical or physical specifications without prior notice. All WuduMate images and symbols are exclusive property of Specialist Washing Co. Specialist Washing Co. accept no liability for loss or damage caused by improper installation. Any reproduction or retransmission or republication of any part of this specification sheet is strictly prohibited, unless prior written permission has been granted by Specialist Washing Co, E&OE. Updated January 2024.

Illustrated

Modular Seat Pole and Seat Top
Product code: WM-MOD-SP

Description

A stool for wudu in mosques or prayer rooms

Material

Pole and brackets:
Brushed 316 stainless steel

Seat top: Double-walled acrylic-capped ABS or Beech

Dimensions

Length 400mm
(+25mm Seat thickness)

Colours

Pole: Silver

Top: White, Black, Grey, or Beech with Chrome trim

Weight

Pole and brackets: 4.25kg/9.4lb
Carton dimensions: 48x25x25cms /18.9x9.8x9.8inches

Seat top: 2.5kg/5.5lb
Carton dimensions: 33x33x12cms /13x13x4.7inches

Accessories

Seat Pole Base Cover
CODE: WM-MOD-SPBC



Silicone Gasket
CODE: WM-MOD-GAS



Associated Products

WuduMate Modular for use in mosques and other high usage environments.

WuduMate Classic for use in prayer rooms and multi-faith rooms in commercial buildings.

WuduMate Compact for use in the home or where space is limited.
Other lengths available on request.

Installation Notes

When with WuduMate Modular

When supplied with WuduMate Modular-refer to WuduMate Modular Installation Instructions.

For installation on its own

When supplied for stand alone installation:

1. Drill 12mm/0.47" holes into firm substrate.
2. Fix M10 Rawlbolt sleeves with chemical anchor with bolts inserted.
3. Remove bolts and fix seat with the M10 countersunk bolts provided.

