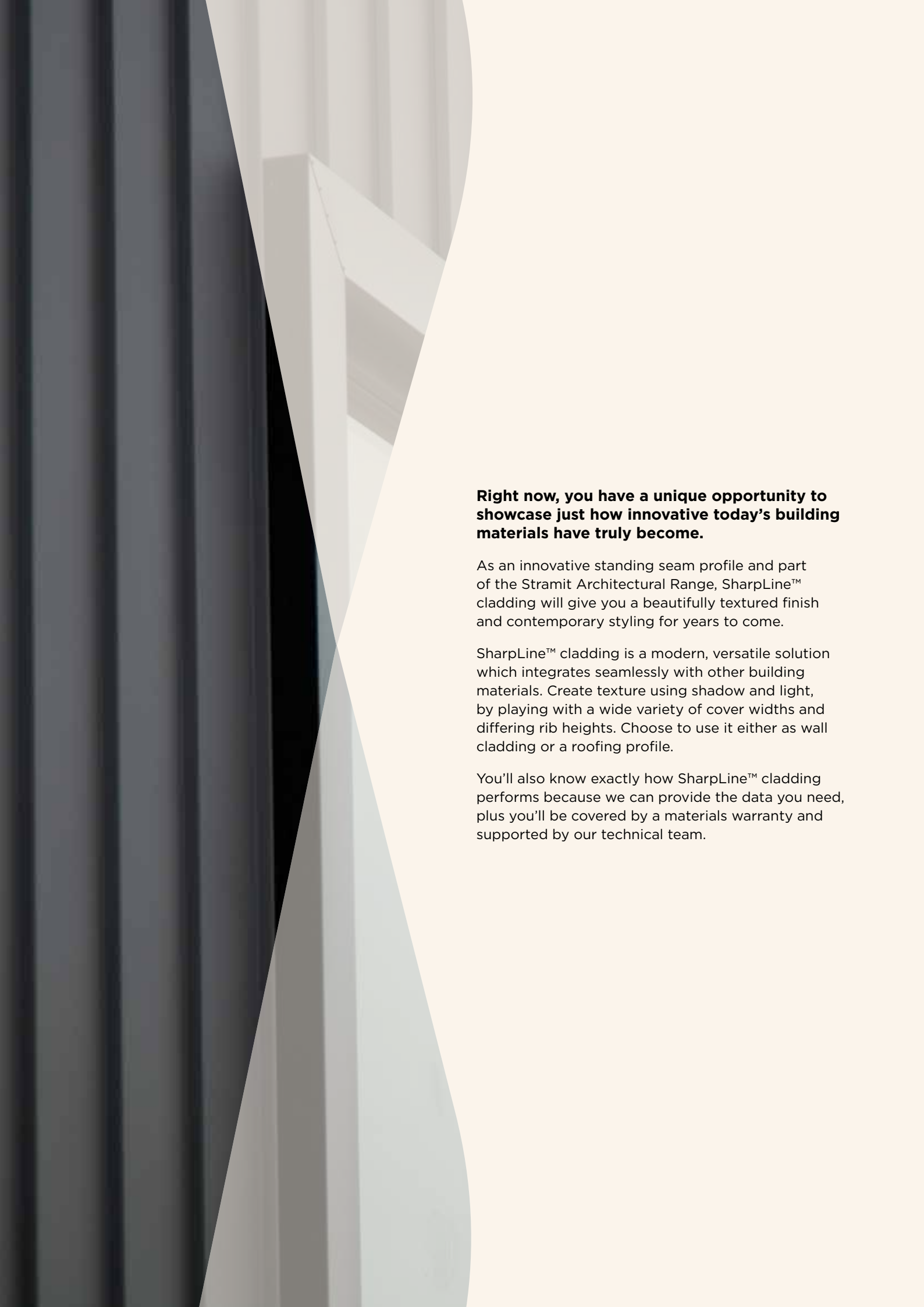


SHARPLINE™ ARCHITECTURAL CLADDING

Unleash your creativity and
let texture take centre stage



Right now, you have a unique opportunity to showcase just how innovative today's building materials have truly become.

As an innovative standing seam profile and part of the Stramit Architectural Range, SharpLine™ cladding will give you a beautifully textured finish and contemporary styling for years to come.

SharpLine™ cladding is a modern, versatile solution which integrates seamlessly with other building materials. Create texture using shadow and light, by playing with a wide variety of cover widths and differing rib heights. Choose to use it either as wall cladding or a roofing profile.

You'll also know exactly how SharpLine™ cladding performs because we can provide the data you need, plus you'll be covered by a materials warranty and supported by our technical team.

Contrast or seamlessly integrate with other facade products – the choice is yours.



A visually striking profile with tall, sharp ribs and flat pans.

- Choose from 25mm and 38mm ribs to change shadow and visual line depths.
- Explore different SharpLine™ cladding options for a strong architectural finish.

Create texture with different tray widths, plus vertical, horizontal and diagonal lines.

- Play with our 8 different tray widths.
- Steal the show by installing vertically, horizontally or diagonally in standard lengths from 2m to 9m. Other lengths available upon request.
- Available in a range of cover widths from 265mm to 520mm*, using either direct or clip fix fastening systems.

Know exactly how our product performs.

- We test our products to the latest National Construction Code (NCC) standards in our very own facility, so you know exactly how it performs.
- We can give you supporting performance data, so you don't have to crunch the numbers to check compliance.

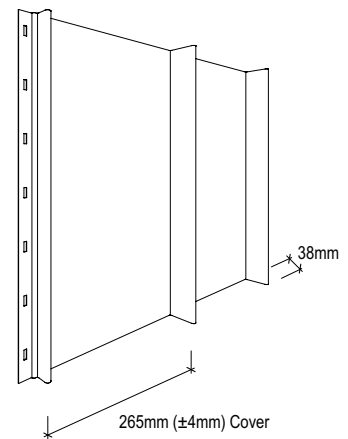
A safe, responsible product that is non-combustible.

- Made from non-combustible roll-formed steel for peace of mind.
- Know you've got the data to support supplier discussions and the certification process.

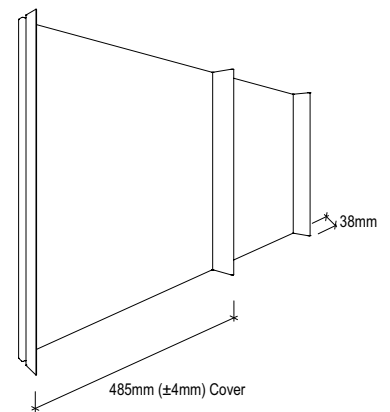
For further technical details, please refer to our Technical Manual and Technical Installation Guideline.

* Cover width will depend on rib height and fixing style.

SHARPLINE™ DIRECT FIX



SHARPLINE™ CLIP FIX



Other profiles available in differing rib heights and cover widths.



COLORBOND® STEEL

The COLORBOND® steel range of designer colours offers a classic and contemporary palette to enhance the beauty of every build.

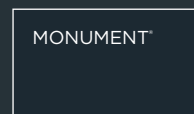
CONTEMPORARY COLOURS



COLORBOND® STEEL MATT



COLORBOND® ULTRA STEEL



Colorbond®

The COLORBOND® steel colour swatches and images shown have been reproduced to represent actual product colours as accurately as possible. However, we recommend checking your chosen colour against an actual sample of the product before purchasing, as varying light conditions and limitations of the printing process may affect colour tones. COLORBOND®, ZINCALUME® and ® colour names are registered trade marks of BlueScope Steel Limited.
™ colour names are trade marks of BlueScope Steel Limited. ABN 16 000 011 058.

Many colours and finishes are kept in stock for fast manufacture and delivery. However, some colours and finishes require longer lead times and, in some cases, minimum order quantities. Check with your Stramit Building Products representative before ordering. Note that not all products are available in all finishes.