



Inward-opening furniture door

Interesting design solutions
for small and large spaces

Technical data sheet

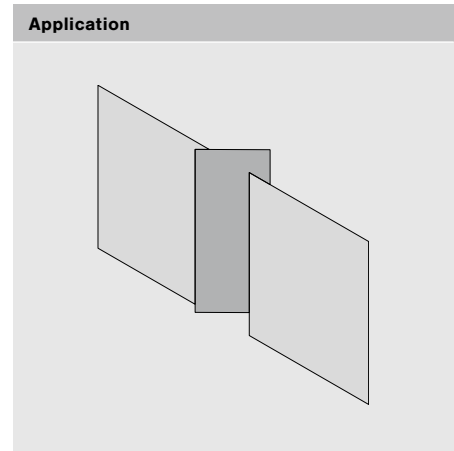
www.blum.com

 **blum**[®]

Product



- CLIP top BLUMOTION with integrated soft-close mechanism (can be deactivated)
- Suitable for the construction of cabinets with inward-opening doors
- For door widths up to 900 mm
- 3-dimensional front adjustment
- Convenient spiral-screw side adjustment
- Tool-free assembly and removal of the front
- With INSERTA tool free hinge to door assembly
- Boss drilling on the cabinet



Ordering information

Hinge with double cranked hinge arm			
Boss	<input checked="" type="checkbox"/>	INSERTA	
Hinge	Spring	Colour	
CLIP top BLUMOTION	●	NI ONS	71B3790

Boss Screw-on			
Hinge	Spring	Colour	
CLIP top BLUMOTION	●	NI	71B3750

Boss Knock-in			
Hinge	Spring	Colour	
CLIP top BLUMOTION	●	NI	71B3780

- With spring
- Unsprung
- NI Nickel plated
- ONS Onyx black

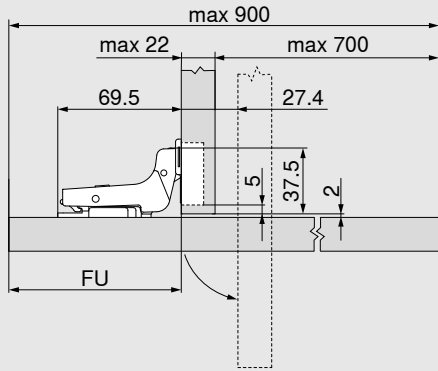
Accessories		
	<input type="checkbox"/>	Hinge boss cover cap
Hinge	Colour	
CLIP top BLUMOTION	NI ONS	70T3504

Hinge boss spacer		
Hinge	Spacing (mm)	
CLIP top BLUMOTION	1.5	70T3507.21
CLIP top	1.5	70T3507.21

Insertion ram		
Colour	Material	
Orange	Nylon	MZM.0040

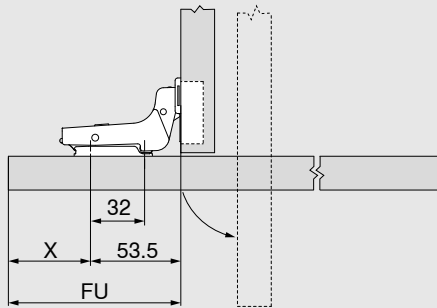
Planning

Inward-opening furniture door



Hinge dimensions based on factory setting (mounting plate spacing = 0 mm)

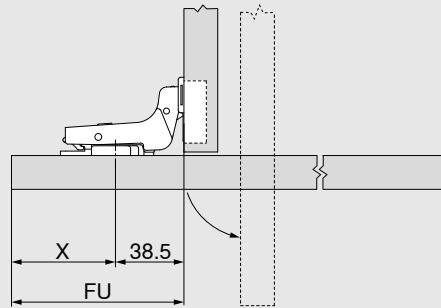
Fixing position horizontal mounting plate with dimension 20/32



$X = FU - 53.5$

FU Front protrusion

Fixing position cruciform mounting plate with dimension 37/32



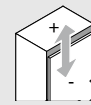
$X = FU - 38.5$

Number of hinges

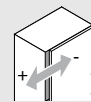
- Door weight up to 22 kg: 5 hinges
- Door weight up to 27 kg: 6 hinges
- Door weight up to 32 kg: 7 hinges

Application is tested with 80.000 opening and closing cycles

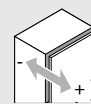
Adjustment



max. ± 3.0 mm
See mounting plates

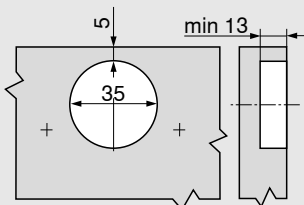


+ 3.0 mm
- 2.0 mm

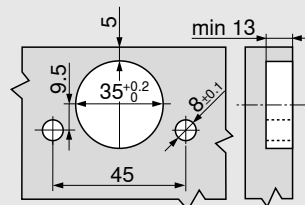


± 2.0 mm

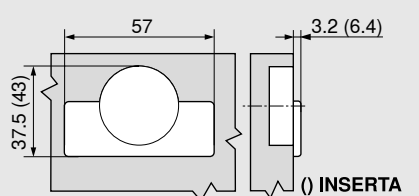
Screw-on assembly



INSERTA | knock-in



Hinge boss dimensions



 **Houzz PRO:**
Blum Australia

 **Instagram:**
@blumaustralia, #blumaustralia

 **Facebook:**
facebook.com/blumaustralia

 **Android App on Google Play:**
Easy Assembly App

 **Available on the App Store:**
Easy Assembly App

Tag Us:
#blumaustralia

**Blum Showrooms
Sydney (Head Office)**

10 Blackbird Close
Len Waters Estate NSW 2170
Ph: 02 9612 5400

Adelaide

179 Railway Terrace
Mile End SA 5031
Ph: 08 8118 6070

Brisbane

6/39-45 Compton Road
Underwood QLD 4119
Ph: 07 3135 9490

Melbourne

245 Ferntree Gully Road
Mount Waverley VIC 3149
Ph: 03 9982 1720

Perth

3/425 Scarborough Beach Road
Osborne Park WA 6017
Ph: 08 6467 0110

Blum Australia Pty Ltd

PO BOX 1615

Green Valley, NSW, 2168

Australia

Toll Free: 1800 179 186

E-mail: info.au@blum.com

blum.com

