



Tendrel

by Ben Cooper

Product Description Inspired by the Buddhist philosophies of interdependence, Tendrel is a manifestation of the intricately woven fabric that binds all living things. Like a winding path, Tendrel twists and turns, leading to surprising new patterns that influence the dynamic of a space. With a modular two-panel design, an infinite number of arrangements can be achieved.

Panel Dimensions 330mm (W) x 330mm (H) x 50mm (D)

Application Interior walls

Origin Designed and manufactured in Australia.

Benefits Using the specialist mounting board, each panel can be easily rearranged without the need for specialist equipment.

Fire Resistance Evove only uses timber species that have achieved a Group 3 rating in accordance with AS/NZ 3837.

Sustainability Statement Made from sustainably sourced & FSC certified hardwoods. Each panel is made predominately from timber offcuts produced in the Evostyle workshop. The clip system and mechanical fixings allow for easy end-of-life separation and recycling.

Timber & Finish Panels are available in American Oak, American Walnut, Tasmanian Oak or other species on request. The finish used is an Osmo oil & wax blend which is natural, eco-friendly and non-toxic. A range of custom stains and gloss levels are available upon request.

Care The finish of our surface panels has been chosen for durability in commercial setting. Made of a mixture of oil and wax, the finish is long lasting and fire retardant. Long term maintenance is simple, with limited cleaning required using Osmo cleaning products. Panels can be re-coated on site if required. Evostyle offers a product stewardship servicing program.

evostyle

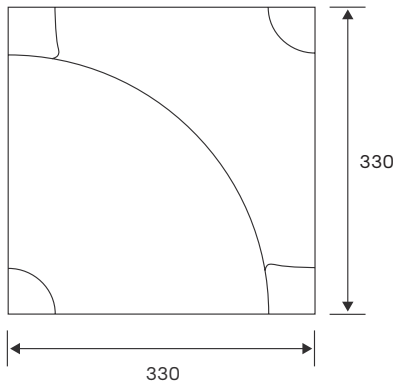
+ 61 2 9627 6369
info@evove.com.au
evove.com.au

Any product-related questions can be directed to info@evove.com.au

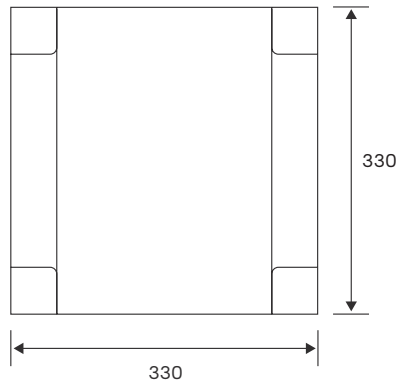
For access to 3D models, please email info@evove.com.au

Tendrel

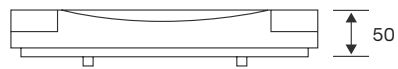
by Ben Cooper



BC-02-1-TENDREL-(O/W)



BC-02-2-TENDREL-(O/W)



Oak Samples

Panels are also available in other timbers

Pattern Examples

Create your own patterns at evove.com.au

