



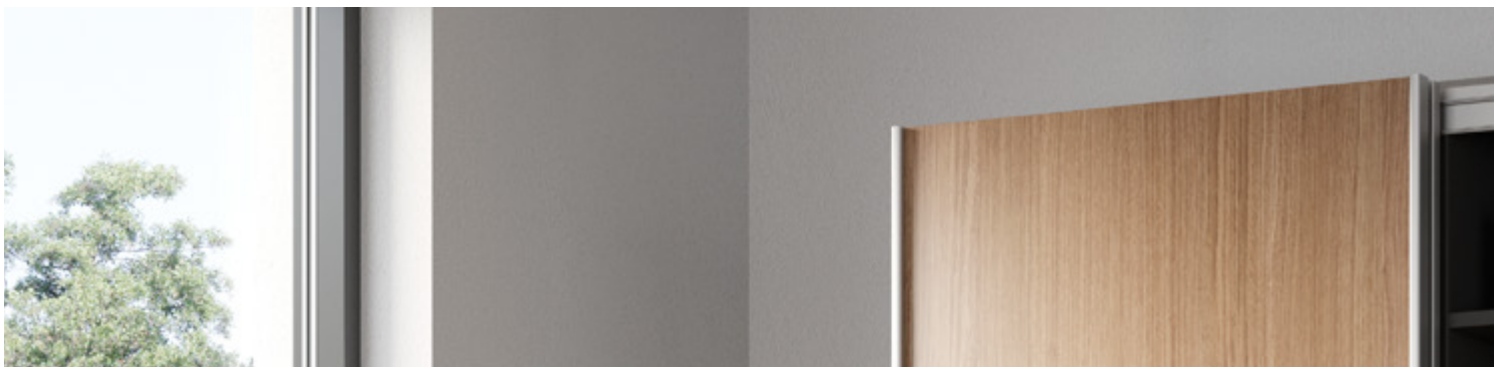
Perfect wardrobe, perfect day:  
**TopLine L sliding door system**

All the benefits at a glance

Technik für Möbel

  
**Hettich**

## The new dimension in convenience with a feel of luxury: TopLine L



### **Perfect wardrobe, perfect day**

TopLine L lets you create sliding doors in a new dimension: fascinatingly easy to open and close and first class Silent System performance. Even heavy doors run with incredible ease, almost appearing to float. The whole picture is completed by straight forward, time saving door installation with stacked runners that clip on without the need for tools.





# Enjoy unequalled user convenience: TopLine L

**When floating becomes a passion:**  
Consistently good running performance – even after a prolonged period out of use.

**Fascinatingly convenient:**  
Doors open and close with a particularly smooth and gentle action.

**In the background for a great look:**  
Runner, bottom guide and Silent System hardly visible.

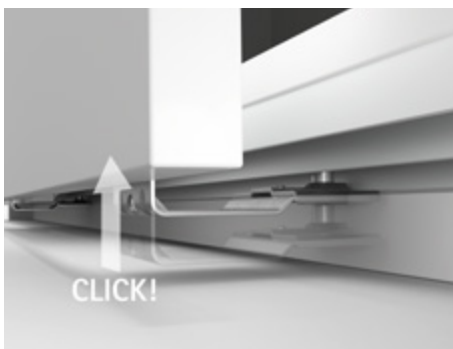
**Perfect finish:**  
Stick on decorative tapes in two colours add a finishing touch to the runner profile.





Find out more:  
You can get inspiration and further product details  
on our website.

When installation becomes an experience:  
**TopLine L**



**Saves time:**  
The guide profile simply clips into place  
- involving no tools.



**Easy and cost effective:**  
Stacked runners for intuitive and secure  
door installation.

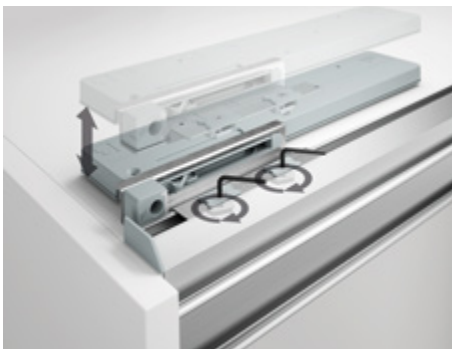


**Silky smooth movement:**  
Almost inaudible and luxuriously  
smooth running action.

# The new benchmark for installing Silent System: TopLine L



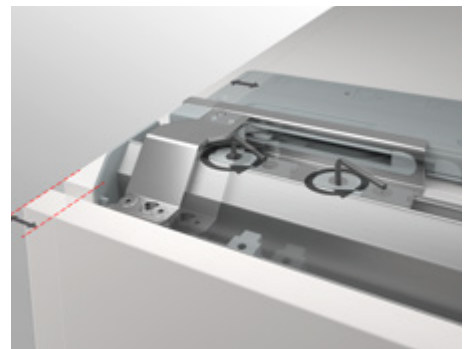
Find out more:  
To the TopLine L installation animation



**In seconds flat:** soft closing element easily mounted to the runner profile.



**Stylishly closed off:** end caps keep out dust and provide the perfect finish.



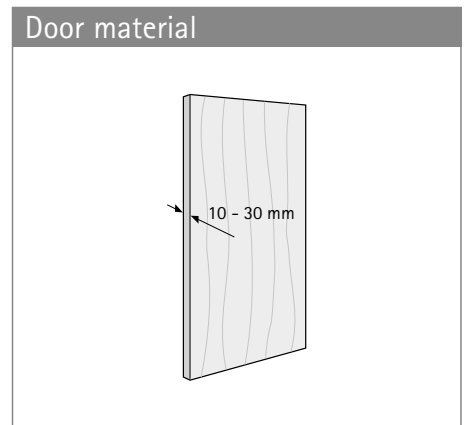
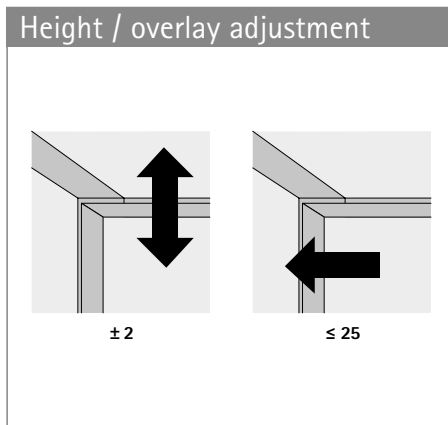
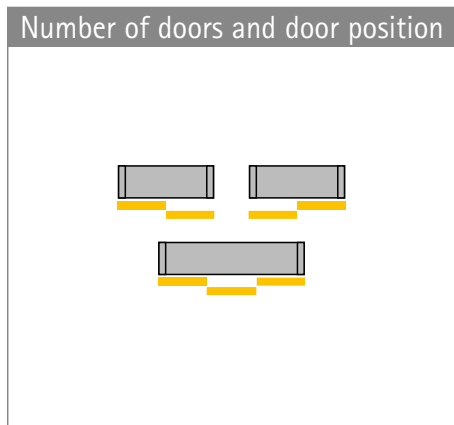
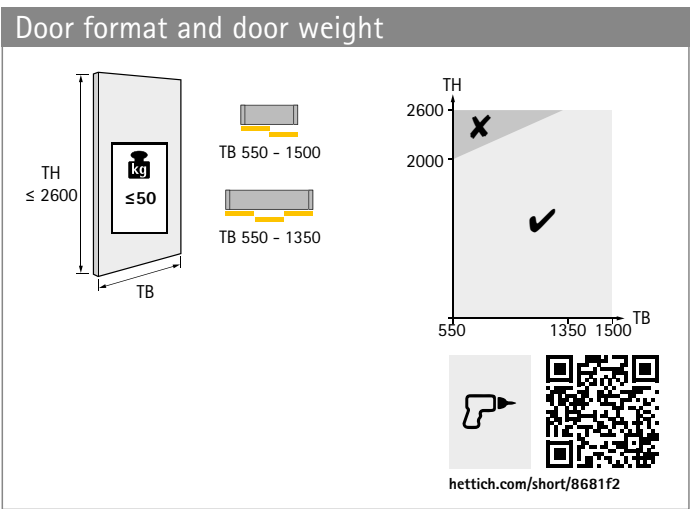
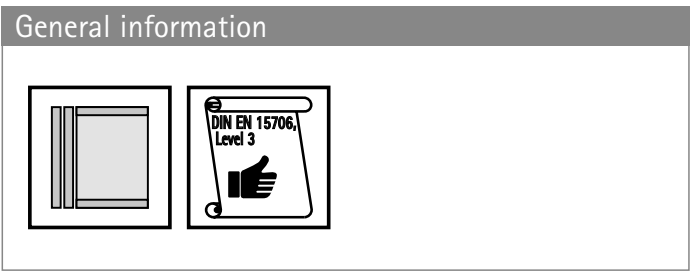
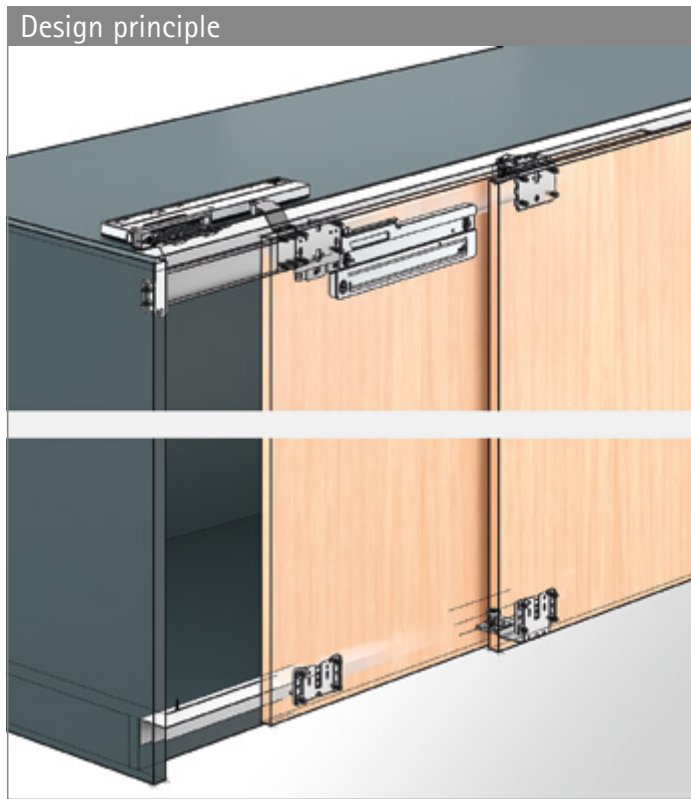
**Easy and continuously variable:** door reveal is very easy to adjust.

## Optimum use of storage space

The doors can be opened to a widely angle with minimal door offset. The gentle self closing mechanism in the soft opening element also holds the door securely in the open position. This makes storage space easy to reach.



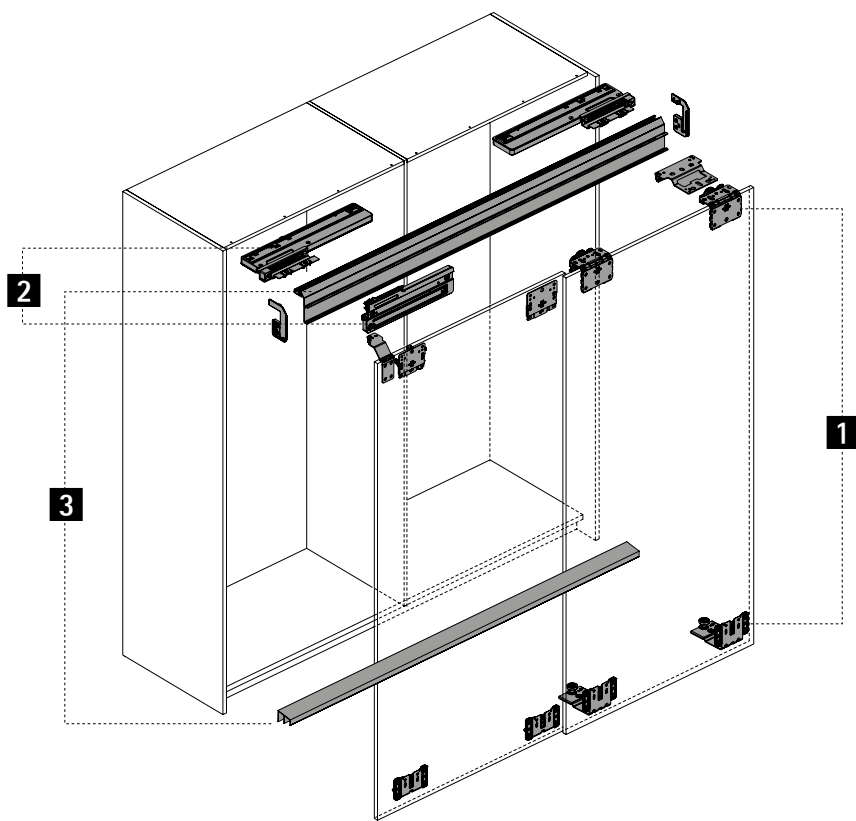




### Silent System

	2-door	3-door	
Soft closing			
Soft opening			
Soft colliding			

## System summary



### 1 Running and guide components



### 2 Silent System



### 3 Runner and guide profiles



### 4 System accessories



## Quality that meets all the demands

The quality of the sliding door systems is monitored continuously. Hettich fittings comply with the national and international quality standards of the markets our customers operate in. The diagrams below show some of the tests to which Hettich fittings are subjected.

### Load capacity

The values stated in the catalogue for Hettich sliding door systems comprise the permissible total weight of the door in combination with the permitted door sizes. All Hettich sliding door systems pass the overload test to EN 15706<sup>1</sup>. The sliding door systems are suitable for furniture to EN 14749 when processed correctly as specified in the catalogue.

### Corrosion test

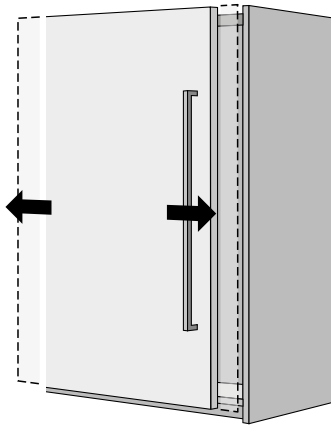
Hettich sliding door systems satisfy the requirements on corrosion defined in EN 15706, 72-hour condensation-water test to EN 6270.

<sup>1</sup> TopLine 1200 / 1210 / 1230 meets the requirements of ANSI / BHMA

## Endurance test

The door must withstand a defined number of opening and closing cycles at a defined speed.

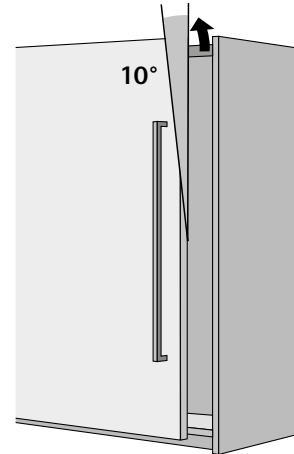
- Level 1: 10,000 cycles
- Level 2: 20,000 cycles
- Level 3: 40,000 cycles



## Lift off guard

The door is pulled up and forwards at an angle with a defined force and must not become detached or fall out of the cabinet.

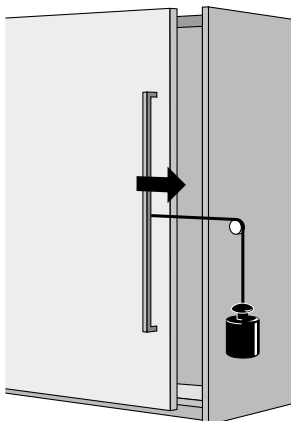
- Level 1: 150 N
- Level 2: 200 N
- Level 3: 250 N



## Closing test

The door must withstand a specific number of closing cycles under a defined tensile load.

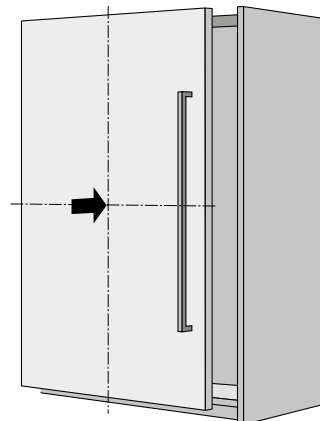
- Level 1: 2 kg
- Level 2: 3 kg
- Level 3: 4 kg



## Horizontal safety test

Pressure is applied to the middle of the door with a defined force. The door must not become detached or fall out of the cabinet body.

- Level 1: 150 N
- Level 2: 200 N
- Level 3: 250 N



Learn more about the Hettich family-owned  
company and get to know us better!



Technik für Möbel

