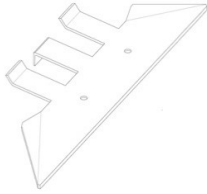


## Installation Instructions

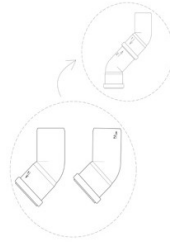
### Parts List |



1 x fitting No. 4



2 x screws fitting No. 4



2 x 45° bend

### Fitting Kit |



1 x uriLOCK 0.3 L



1 x uriCLEAN 0.5 L



1 x uriCLOTH



1 x Cover



1 x suction device

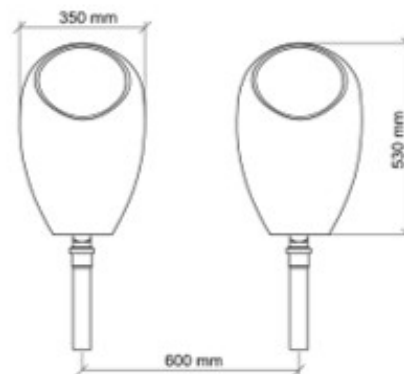
### Note |

#### Installation of the uridan waterless urinal is very simple.

If you are retrofitting existing flushing urinals with uridan waterless urinals, please ensure that the sewer line is jetted and clean of uric scale before installation. Please also remove any existing s-trap to avoid double trapping the urinal.

The uridan urinals work without water, and must be fitted to a 50mm waste pipe. Installation should be carried out by authorized plumbers in accordance with AZ/NZS3500.2.

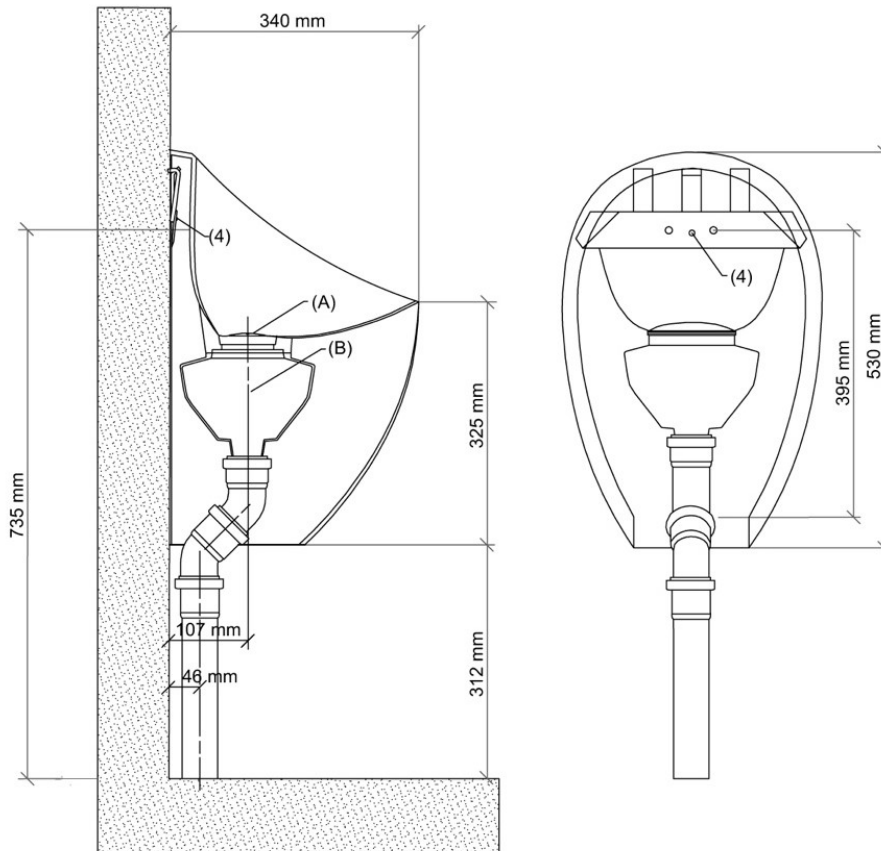
PLEASE NOTE: The undiluted discharge from a waterless urinal must not be transported through copper or copper alloy pipework.



## Installation Instructions

### CADET GVC-10

glass reinforced plastic (GRP) | vertical



#### Installation

1. Measure distance from floor and mark holes for fitting No. (4). Drill holes and mount fitting No. (4).
2. Mount the wastewater pipes as per drawing. The distance from the wall to the center of the waste pipe should be close to 107 mm.
3. Hold the urinal against the wall and push firmly onto the fitting No (4). Ensure the waste pipe connection is maintained.
4. Fill the waste trap (Position B) with water.
5. Insert the stainless steel cover (Position A).
6. Pour 1 bottle uriLOCK (0.3 litre) over the cover.
7. Seal the gap between the wall and the urinal with silicone.  
The uridan urinal is now ready for use!

**Please leave customer care booklet, cleaning and maintenance instructions,  
cleaning spray, cleaning cloth and suction device with customer.**