

ARCHITECTURAL GRATES + DRAINS



VC100-42

Vinyl Clamp Drainage

Downloaded 24/10/2022 (please check for updates)

Stormtech is the only linear drainage system available with full Greentag and Watermark certification across our complete product range.

Telephone 1300 653 403 | Web stormtech.com.au





ARCHITECTURAL
GRATES + DRAINS



VC100-42

Vinyl Clamp Drainage



Stainless steel vinyl clamp drainage unit for use in a vinyl floor environment.

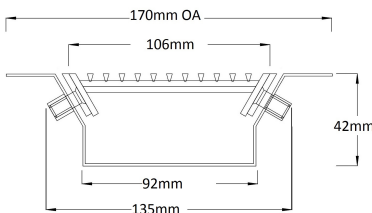
This innovative drainage product allows the use of a linear grate in a vinyl floor environment.

It is particularly well adapted for drainage needs in hospitals, commercial kitchens and schools. Designed specifically for vinyl floor environments, the VC range of drain units are manufactured from 316 marine grade stainless steel.

The vinyl clamp features a wedge wire architectural style grate and a stainless steel channel in which a screw down flange mechanically clamp the vinyl beneath. The VC100-42 has a 60 degree slope on the side walls, which reduce the stress on the vinyl and increase the life of the flooring surface.

Please be aware that depending on the installation environment, for a pool installation or close to a surf beach, you may need to have your stainless steel grates electropolished.

Code VC100-42
Range Vinyl Clamp
Grate Style TR
Category Made-to-Length
Channel Material Stainless Steel
Steel Grade 316

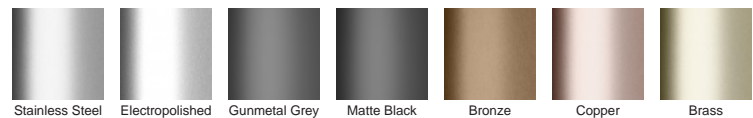


Grates longer than 1500mm supplied in sections.
Tile Inserts longer than 1200mm supplied in sections.
Channels over 3000mm supplied in sections with joiner.
+/-2mm tolerance on dimensions.

SPECIFICATIONS + DIMENSIONS

Channel Width	170mm
Channel Depth	42mm
Length(s)	As Required
Outlet Size	N/A

STORMTECH COLOUR FINISHES



Electroplate finishes subject to natural variation with time and local environment. Factors such as pools/surf beaches may require electropolishing. Contact us for suitability.

PRODUCT APPLICATIONS

Bathroom Drainage
Aged / Health Care Drainage
Commercial Drainage
Shower Drainage
Special Needs Drainage

Copyright © Stormtech Pty Ltd. Patent 733361. Drawings not to scale, please use dimensions shown.
Downloaded 24/10/2022 (please check for updates)



Visit stormtech.com.au
for tools + inspiration.

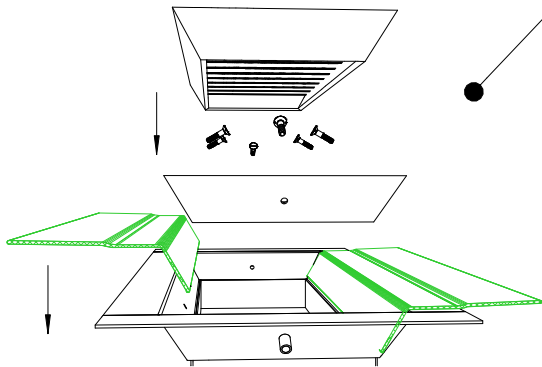
Phone **1300 653 403**

Email info@stormtech.com.au

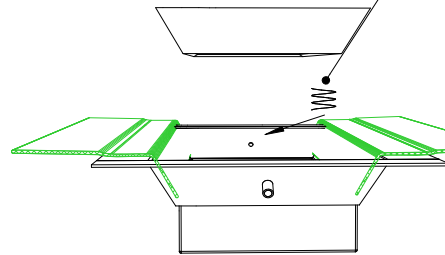
VC100-42 Linear Vinyl Clamp Drainage System



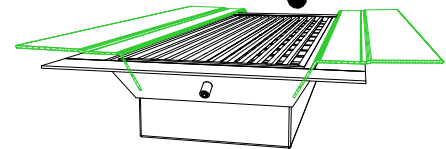
exploded view showing where vinyl will lay into tray



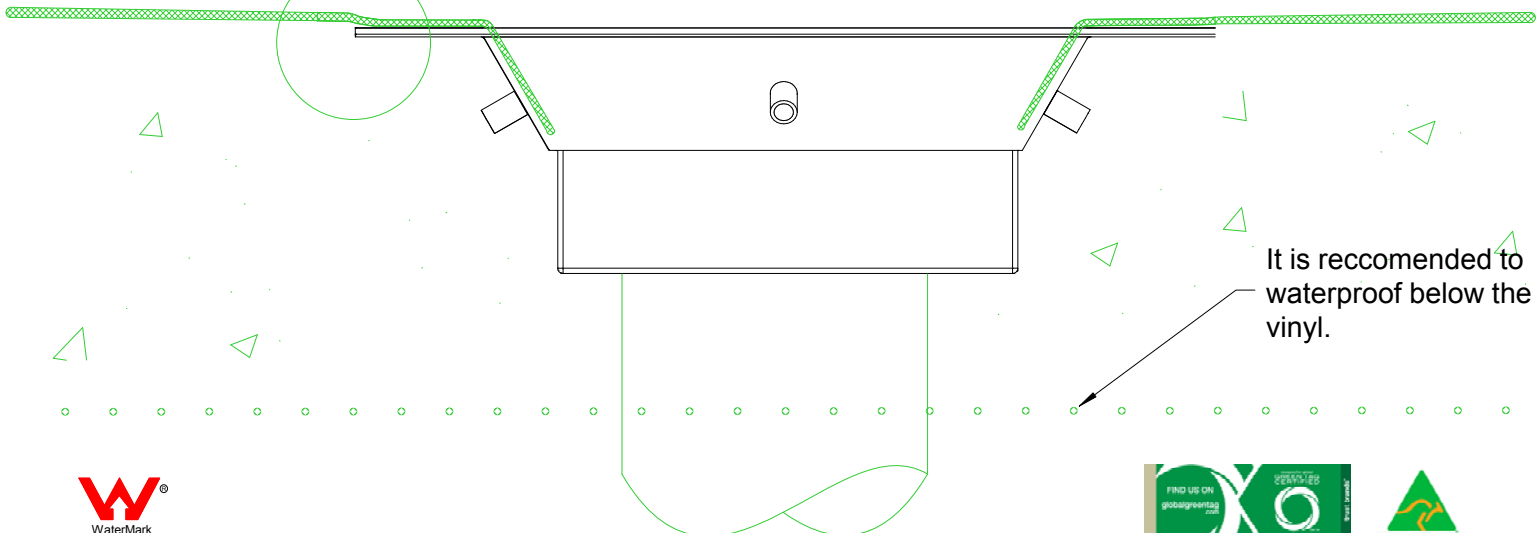
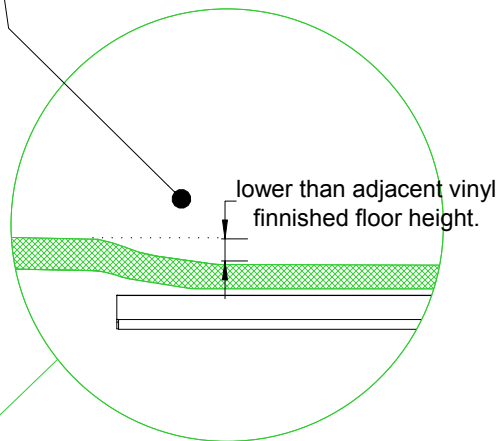
Vinyl is clamped in place & screws fastened into clamp



grate laid in place system complete



Ensure the clamp flange is lower than top of the vinyl.



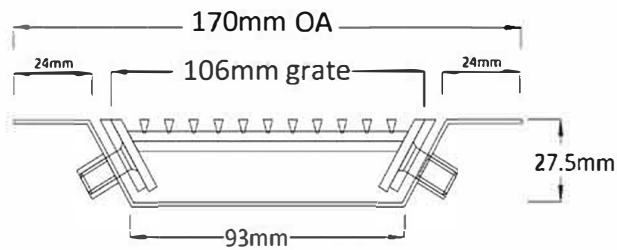
It is recommended to waterproof below the vinyl.



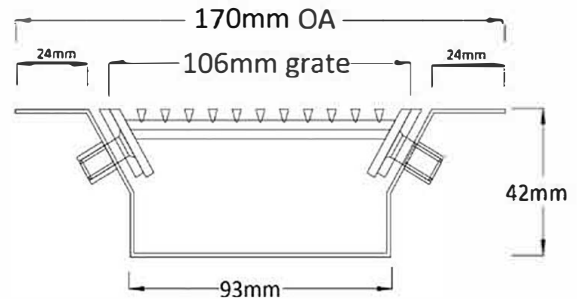


Vinyl Clamp (VC100-25 and VC100-42)

Order / Quote Form

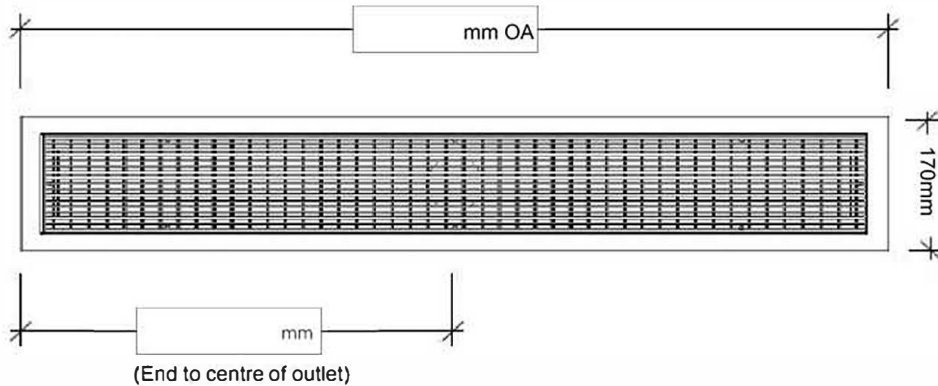


Profile 1
VC100-25



Profile 2
VC100-42

Specify Size, Outlet and Profile Required



Profile Required

1 2

Outlet Size

38mm 44mm 51mm
 63mm 76mm 89mm

Please Note

- Refer to both AS3500 standard, and your local regulator for any specific outlet or drain requirements.
- Stainless Steel Grade is 316 marine grade
- The o/a length is from end of flange to end of flange
- The outlet position is taken from the the end of the flange to the centre of the outlet
- 10 Working day manufacture time

Full Name

Company Name

Telephone

Email Address

Order Number

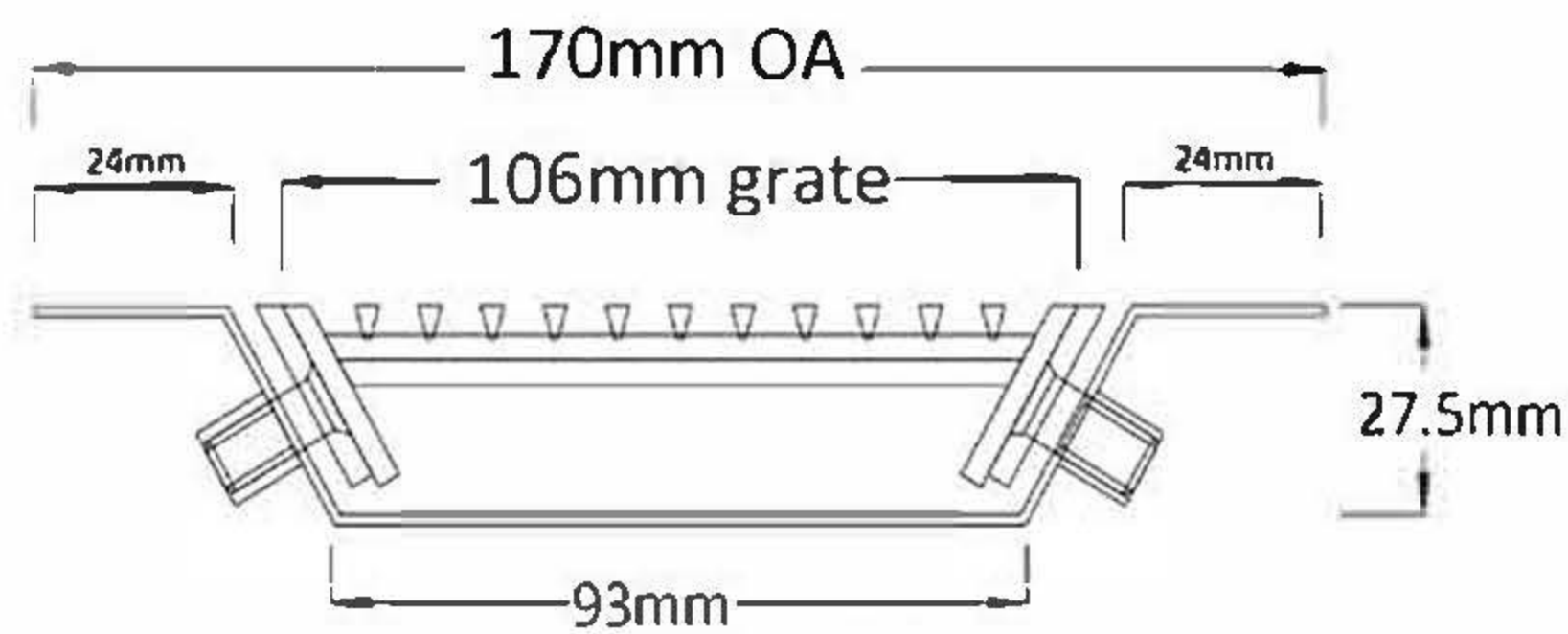
Stormtech Quote Number

Signature

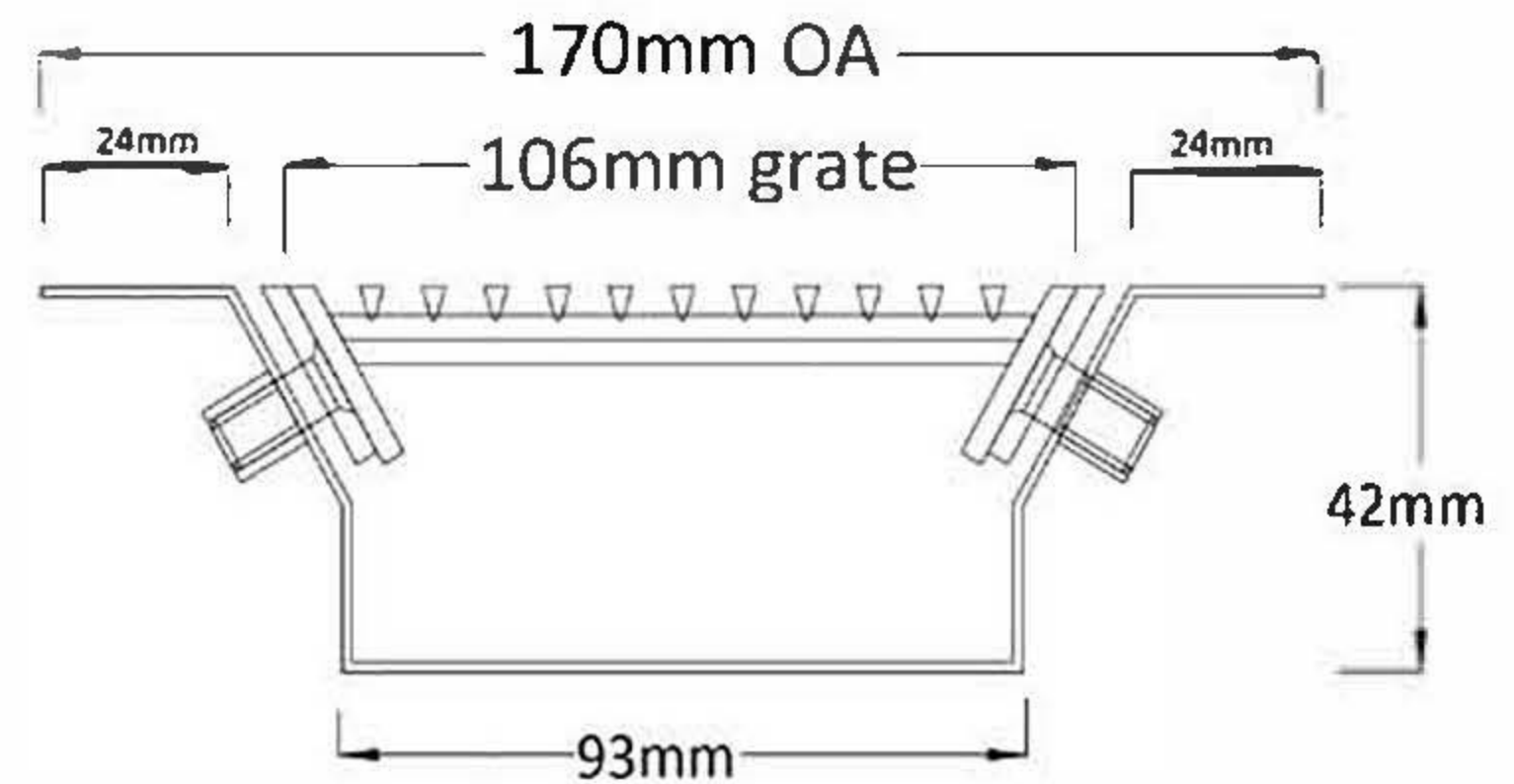


Vinyl Clamp (VC100-25 and VC100-42)

Order / Quote Form

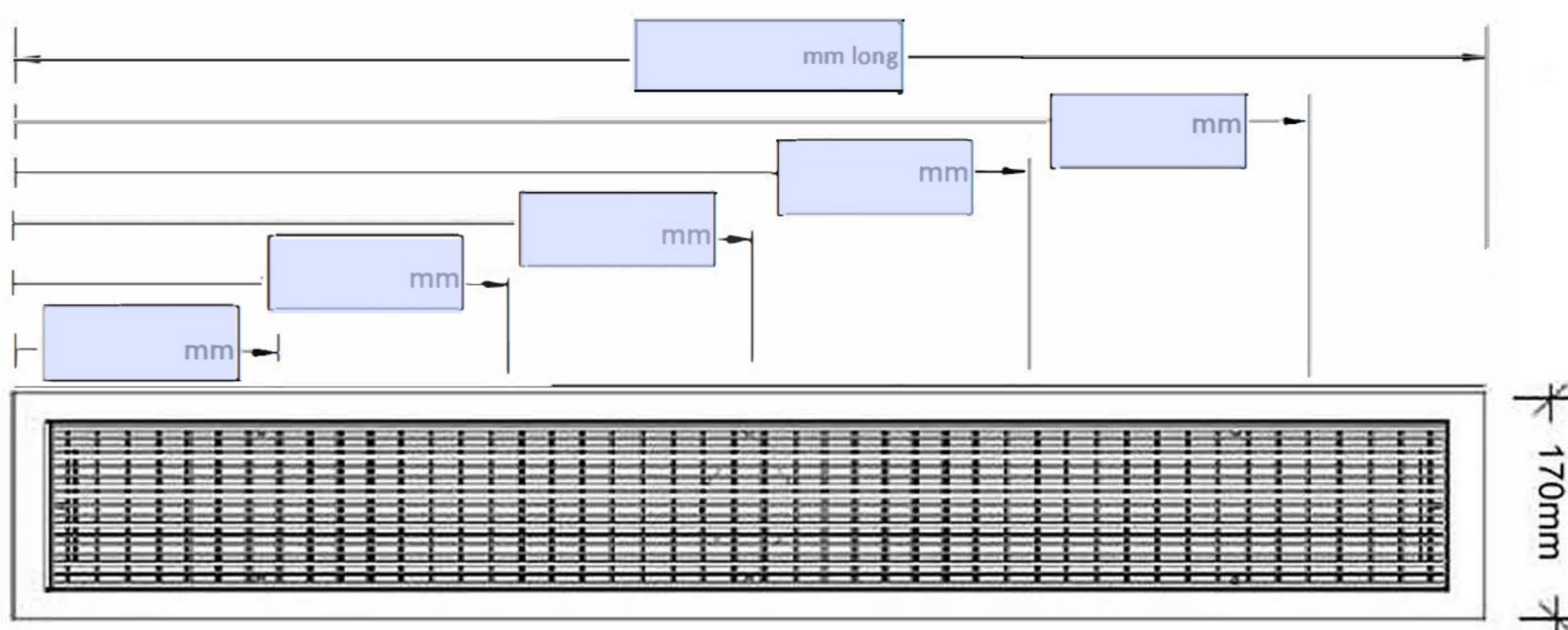


Profile 1
VC100-25



Profile 2
VC100-42

Specify Size, Outlet and Profile Required



Profile Required

1 2

Outlet Size

38mm 44mm 51mm
 63mm 76mm 89mm

Please Note

- Refer to both AS3500 standard, and your local regulator for any specific outlet or drain requirements.
- Stainless Steel Grade is 316 marine grade
- The o/a length is from end of flange to end of flange
- The outlet position is taken from the the end of the flange to the centre of the outlet
- 10 Working day manufacture time

Full Name

Company Name

Telephone

Email Address

Order Number

Stormtech Quote Number

Signature

Visit stormtech.com.au



StormtechTM

22 Norfolk Avenue, South Nowra, NSW 2541 Australia
Phone 1300 653 403 Email info@stormtech.com.au



trust brands[®]