



INSTALLATION INSTRUCTIONS

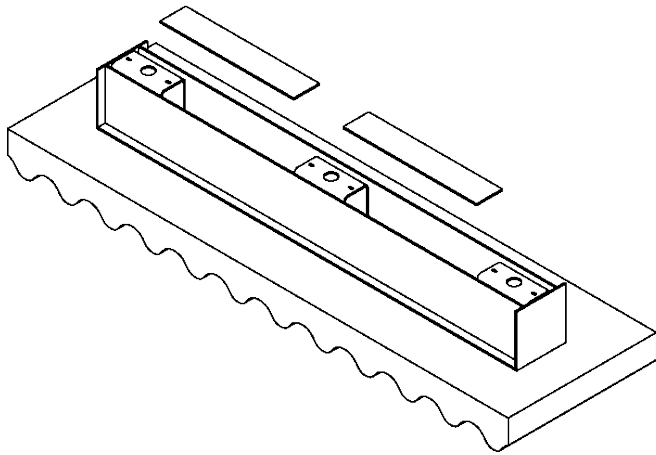
Wall Light

INSTALLATION INSTRUCTIONS

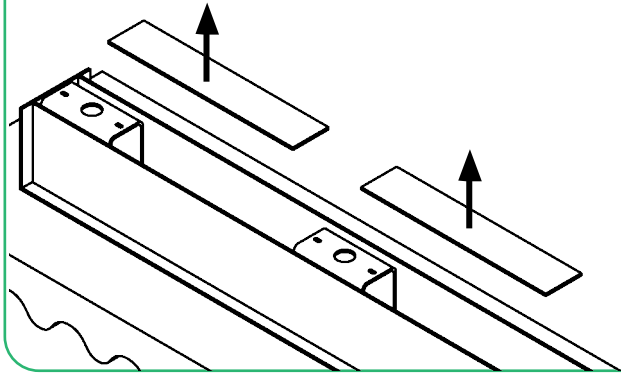
Wall Light

PARTS:
LED Base incl. DALI inbuilt driver
Sound absorbent shade (attached)

PRE-ASSEMBLY
Ensure there is adequate support in the wall to hold minimum 5 kilograms of weight.

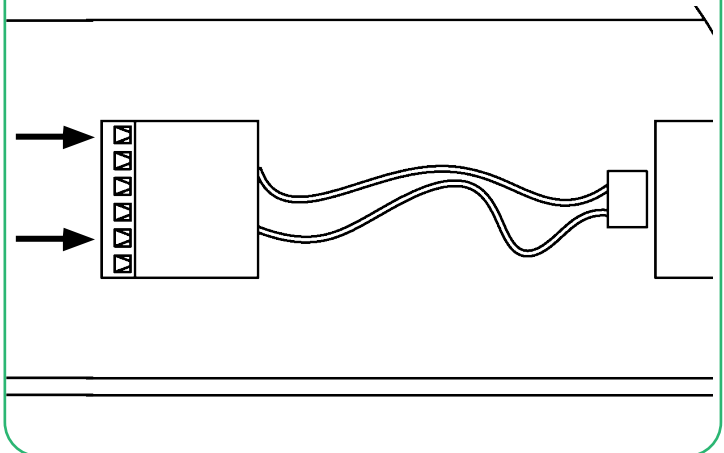


Remove aluminium plates from rear of LED base.



Locate wiring terminal, which connects to driver near the centre of LED base.

Attach mains power to the terminal.



Replace aluminium plates and attach light to wall using steel supports on each end.

