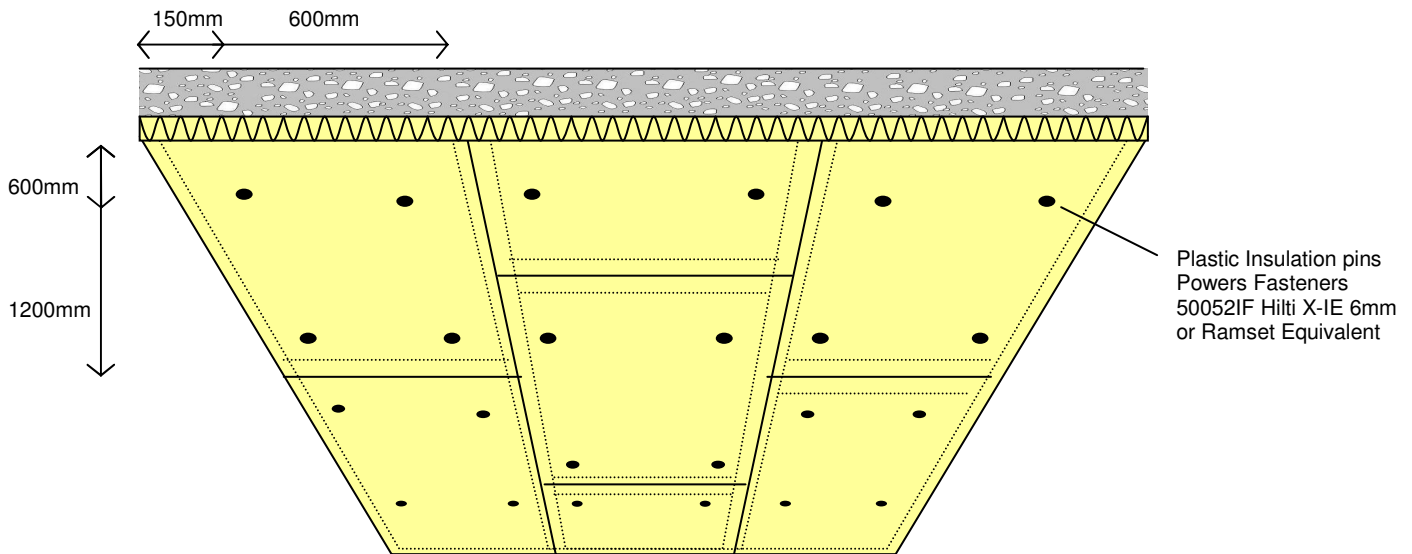


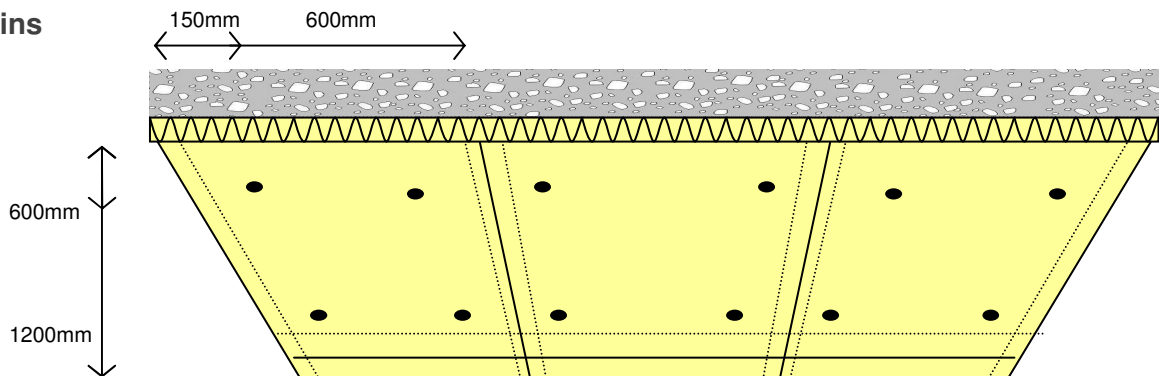
Composite Global Solutions – XPS-zero Installation Guide.

When fixing to the underside of a slab/soffit, insulation is to be fixed using a Powers Fasteners 50052IF range, Hilti X-IE6 range, Ramset or similar insulation pin, 255mm from the long edge and 600mm from the short edge of the board.

Offset Joins:



Parallel Joins



For Further information, please call Composite Global Solutions to discuss.