



## MDCR Operator with Chainheads

The MDCR operator is a heavy duty manual unit designed to open single or multiple sashes. Sashes to the left and right of the operator can be operated simultaneously.

Can be surface mounted or installed within the wall with a face cover plate and handle. The MDCR and chainhead are ideal for use on high level awning windows. Capable of opening sashes over 1200mm wide when two chainheads are installed.

It is ideal for use in schools, high traffic areas and other heavy duty applications due to its robust construction and long life span. It has very low maintenance requirements once installed.

The MDCR is available in two sizes

The MDCR 212 gives an opening of 300 mm

The MDCR 206 gives an opening of 150 mm

The MDCR operator and tubing are available in anotec silver grey, satin black and pearl white powdercoat – with other standard powdercoat colours available on request. The chainhead is made of an engineering grade polymer and is also available in black, white and light grey.

It is also possible to use the MDCR operators with:

- Arens Fork and Swivel
- Arens Screwjack
- Arens TA1000 Torque Arm System [i](#)



MDCR 206

MDCR 212

Chainhead

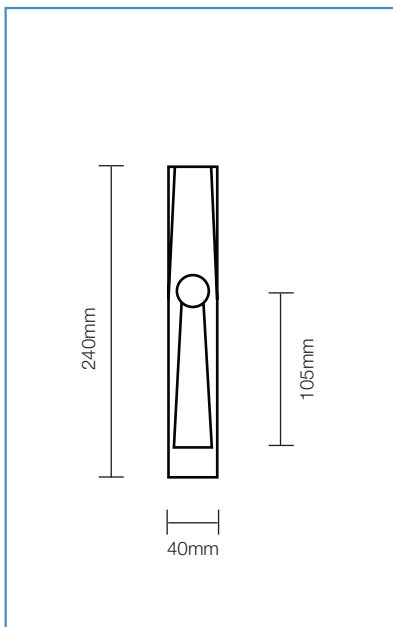


## Technical Specifications

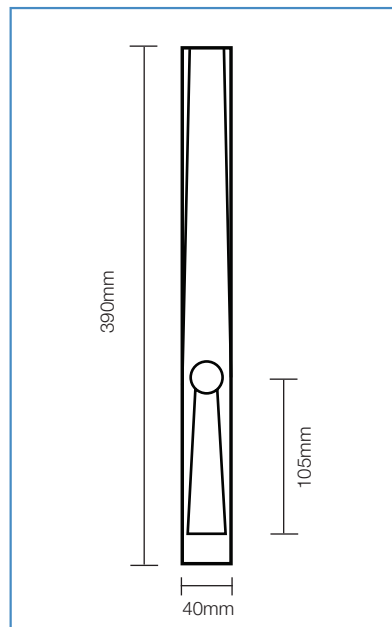
|                  | Height | Width | Depth | Handle Length |
|------------------|--------|-------|-------|---------------|
| <b>MDCR 206</b>  | 240mm  | 40mm  | 45mm  | 105mm         |
| <b>MDCR 212</b>  | 390mm  | 40mm  | 45mm  | 105mm         |
| <b>Chainhead</b> | 40mm   | 225mm | 50mm  |               |

## Dimensions

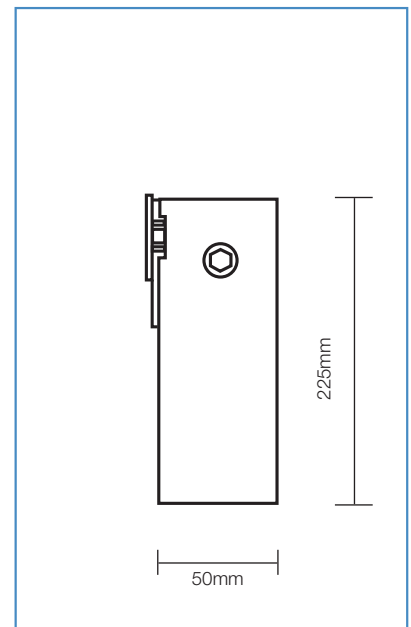
MDCR 206



MDCR 212



Chainhead



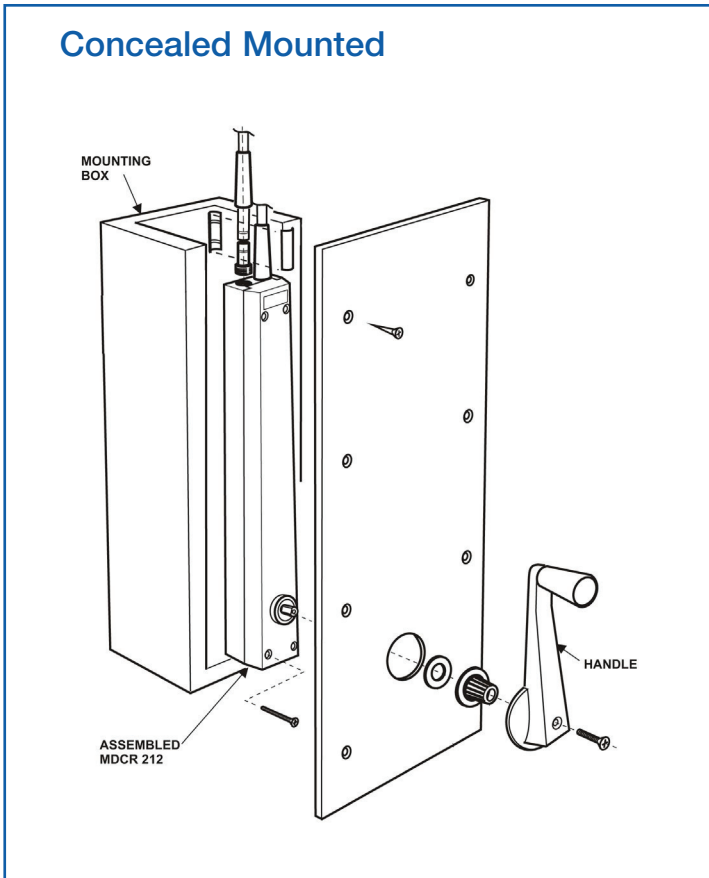
## Part No.

|  | ASG          | Black        | White        | Unpainted   |
|--|--------------|--------------|--------------|-------------|
| <b>MDCR 206</b>                        | 03/130ASG    | 03/130BLK    | 03/130WHT    | 03/130/UPA  |
| <b>MDCR 206 Concealed</b>              |              |              |              | 03/130C/UPA |
| <b>MDCR 212</b>                        | 03/131ASG    | 03/131BLK    | 03/131WHT    | 03/131/UPA  |
| <b>MDCR 212 Concealed</b>              |              |              |              | 03/131C/UPA |
|  | ASG          | Black        | White        |             |
| <b>Chainhead Right</b>                 | 02/100R/ASG  | 02/100R/BLK  | 02/100R/WHT  |             |
| <b>Chainhead Left</b>                  | 02/100L/ASG  | 02/100L/BLK  | 02/100L/WHT  |             |
| <b>Chainhead Right stainless chain</b> | 02/100SR/ASG | 02/100SR/BLK | 02/100SR/WHT |             |
| <b>Chainhead Left stainless chain</b>  | 02/100SL/ASG | 02/100SL/BLK | 02/100SL/BLK |             |

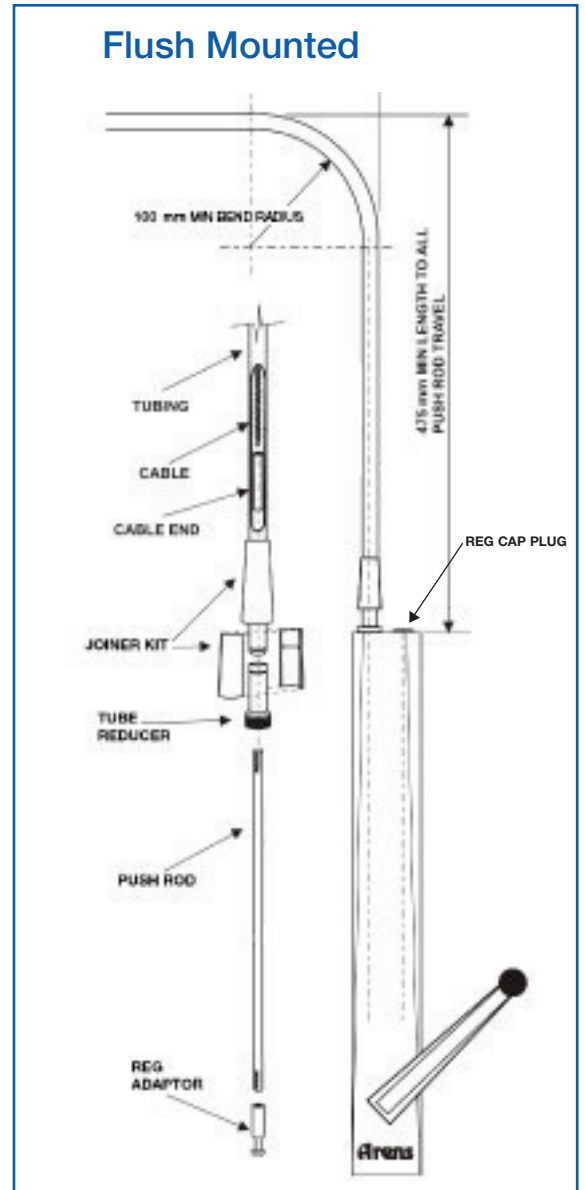


# MDCR Operator and Chainhead Part List

## Concealed Mounted

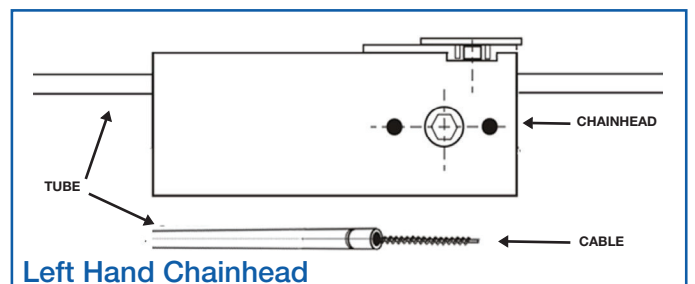
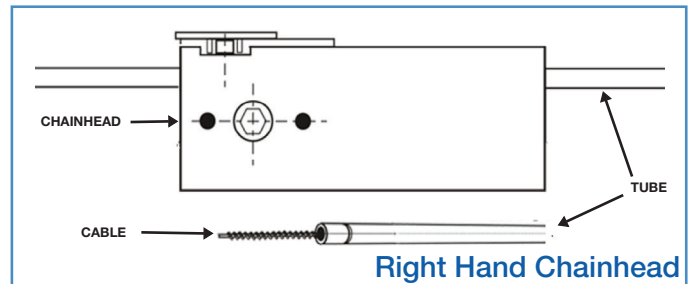


## Flush Mounted



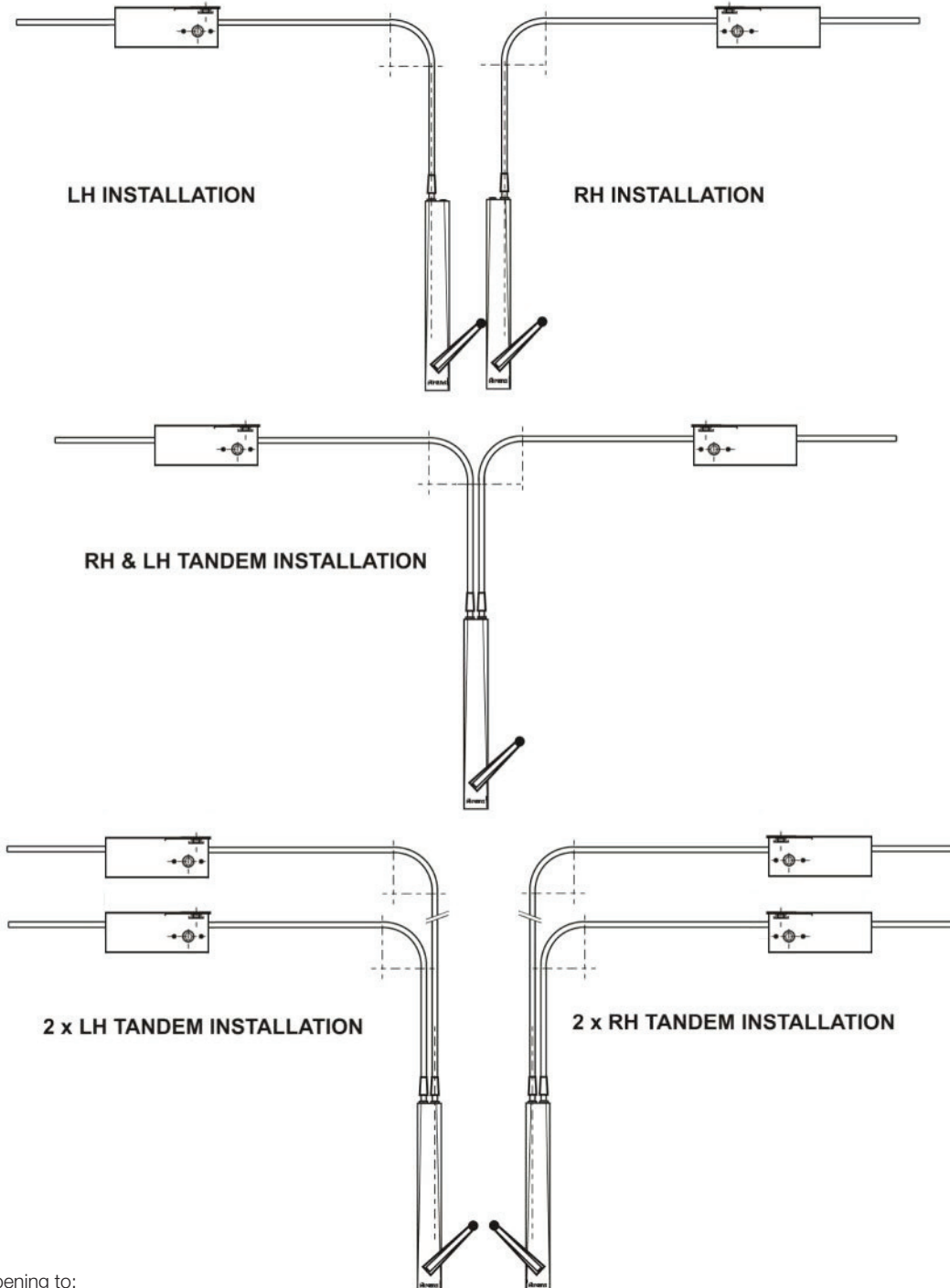
## MDCR Part List

|                       |             |
|-----------------------|-------------|
| MDCR 206 Operator Kit | 03/130KIT   |
| MDCR 212 Operator Kit | 03/131KIT   |
| Tube Natural Anodised | 02/111NA    |
| Cable                 | 02/112      |
| Clip                  | 02/117      |
| Right Hand Chainhead  | 02/100R     |
| Left Hand Chainhead   | 02/100L     |
| Concealing Plate      | 03/9131CBP  |
| Concealing Handle     | 03/132C/ASG |
| Concealing Box 12"    | 03/9131CB   |





## MDCR and Chainhead Typical Applications



Sash opening to:  
150 mm with MDCR 206  
300 mm with MDCR 212