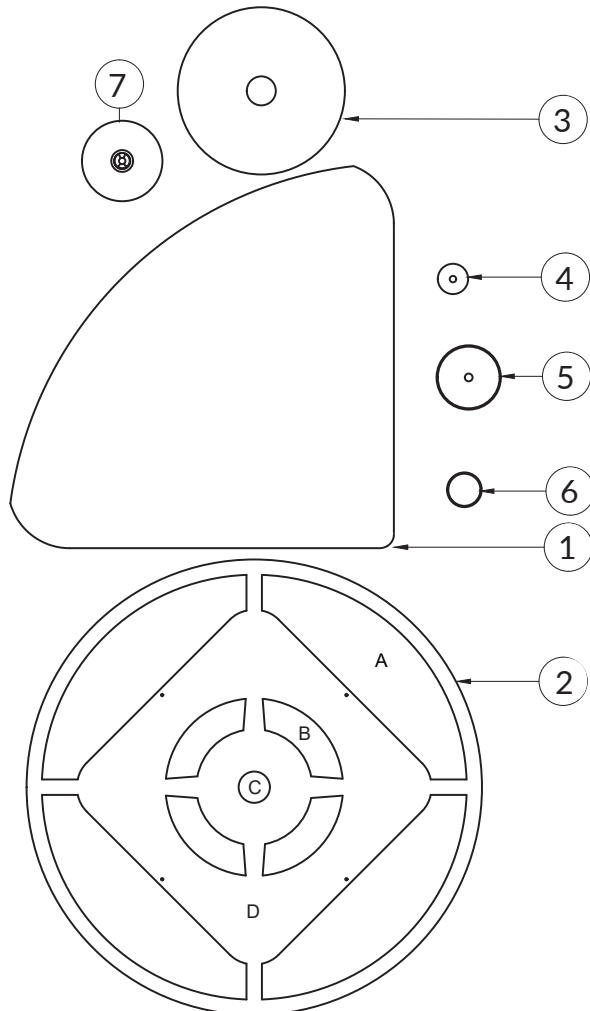




INSTALLATION INSTRUCTIONS FOLI Acoustic Light Round



MUST be installed by a licensed electrician in accordance with AS/NZS 3000.

PLEASE NOTE: There are no serviceable parts. Please return to manufacturer for any required repairs.

PRE-INSTALLATION

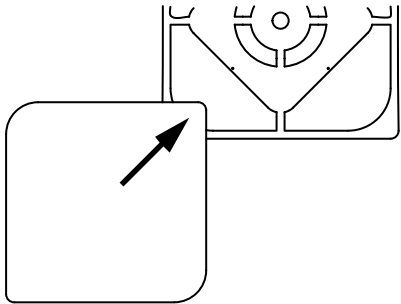
Ensure there is adequate support in the ceiling to hold minimum 10 kilograms of weight.

COMPONENTS:

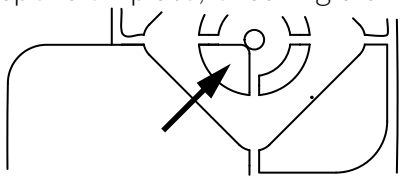
- 1 4x Sound Absorbent Leaves
- 2 Suspension plate
- 3 Securing plate
- 4 Light holder & cord
- 5 Ceiling canopy
- 6 Finishing cuff
- 7 E27 Globe (comes separately)
- 8 4x Suspension wires (optional)

1. ASSEMBLY OF SHADE

Push sharper corner of leaf through Hole A in one corner of the suspension plate. Check it is centred towards Hole C of the suspension plate, and is pushed in as far as possible without bunching.



Push the inner corner of the leaf through Hole B in the suspension plate, ensuring a snug fit with no gaps.

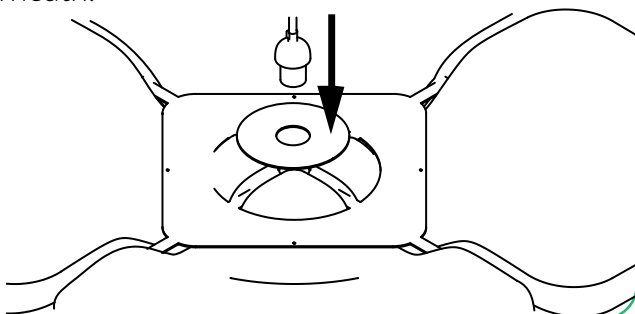


Repeat with other 3 leaves.

3 things to look out for prior to screwing in securing plate:

1. All 4 points of leaves hit the centre circle (Hole C).
2. Edge of each side of leaves are 90 to suspension plate.
3. There is a 20mm gap between each of the leaves on both sides.

Place securing plate on top of leaves, insert globe holder into central hole of both plates, squashing the foam between. Secure in place by screwing in the threaded ring underneath.

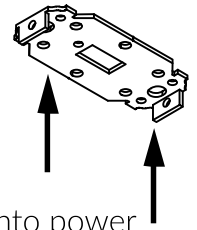


2. CEILING INSTALLATION

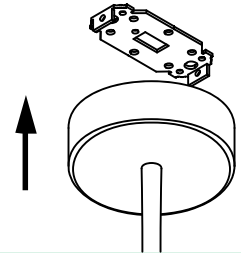
Cut hole in ceiling no greater than 60mm diameter.

Screw bracket into ceiling.

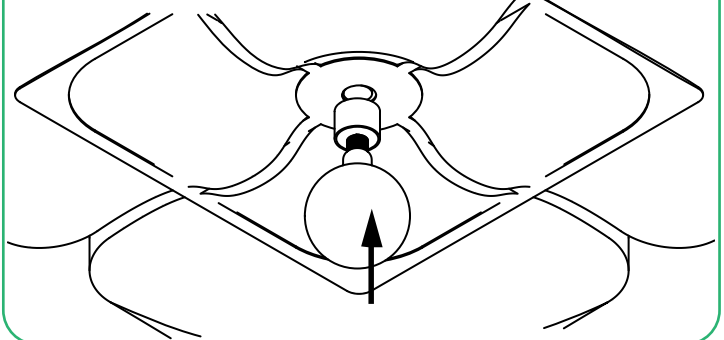
Connect wires from lighting unit into power supply.



Attach ceiling canopy using screws provided.



Once hung, screw the globe in, making sure to place the 40mm sleeve over the base of the globe holder to conceal componentry.



3. OPTIONAL SUSPENSION WIRES (CAN ALSO BE RETROFIT)

Thread suspension wire from underside of suspension plate, through Hole D.

Ascertain correct length required from ceiling to light fitting.

Thread wires through Griplocks.

Once hanging length is approved, trim excess wire.

