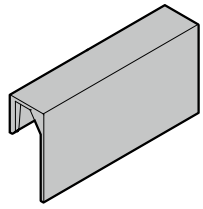


**7085 507-00**

EWTdf 1653 / 2353 / 3553



# Scope of delivery

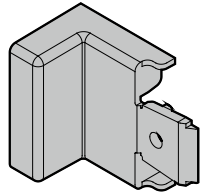


## Labels

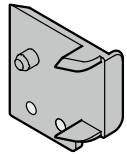
2 pc. - EWT 1653

4 pc. - EWT 2353

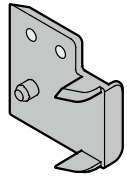
8 pc. - EWT 3553



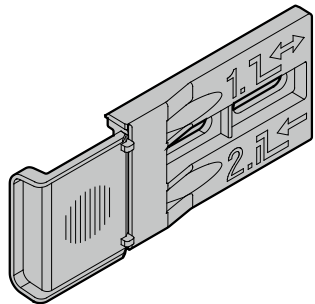
**Cover**



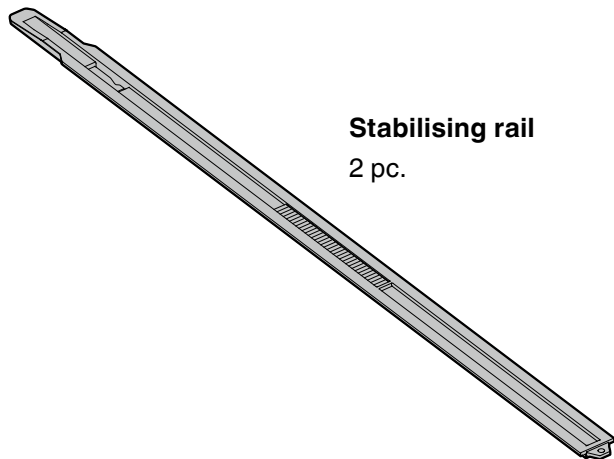
**Spacer**



**Spacer**

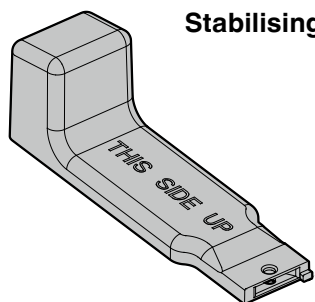


**Attachment bracket**

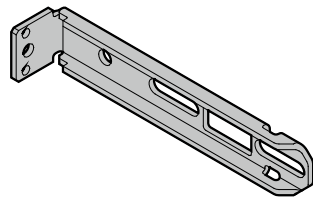


**Stabilising rail**

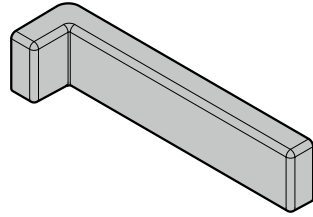
2 pc.



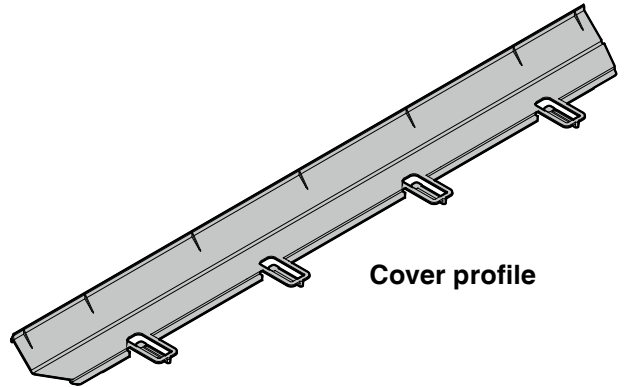
**Stabilising rail handle**



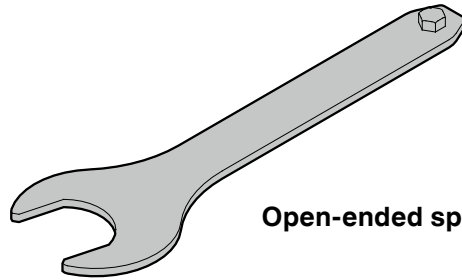
**Attachment bracket**



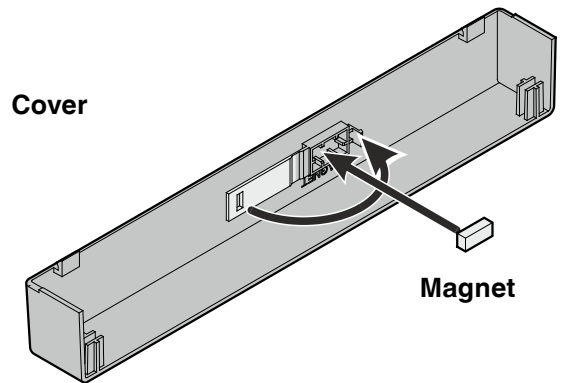
**Cover**



**Cover profile**



**Open-ended spanner**

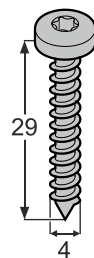


**Cover**

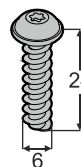
**Magnet**



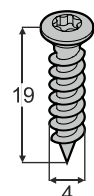
2 pc.



2 pc.



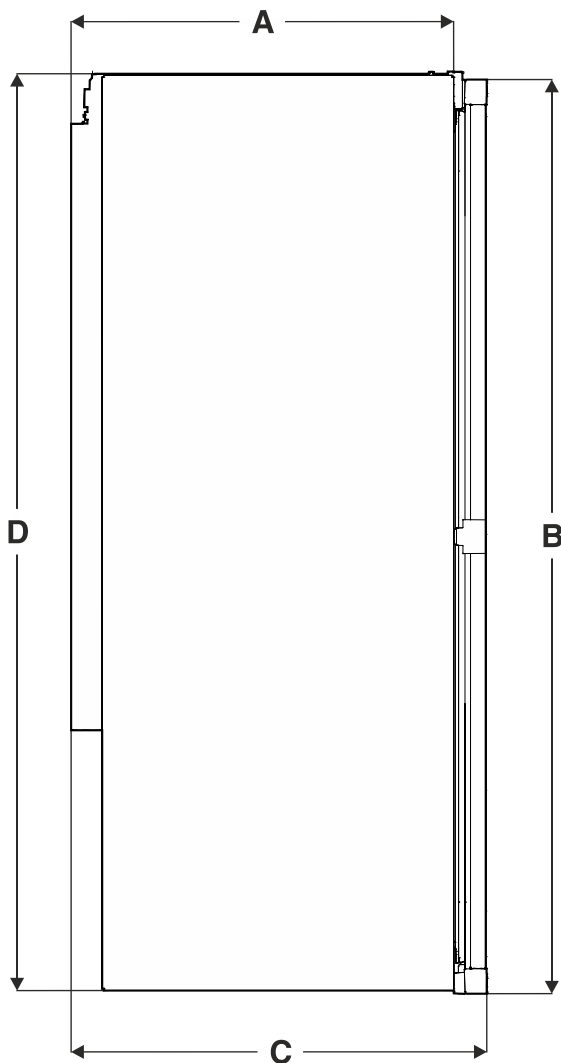
2 pc.



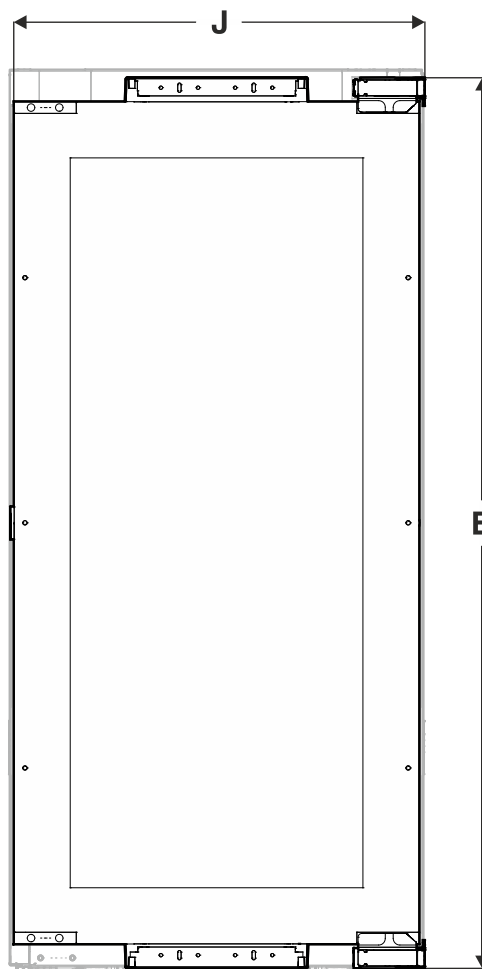
5 pc.

# Appliance dimensions

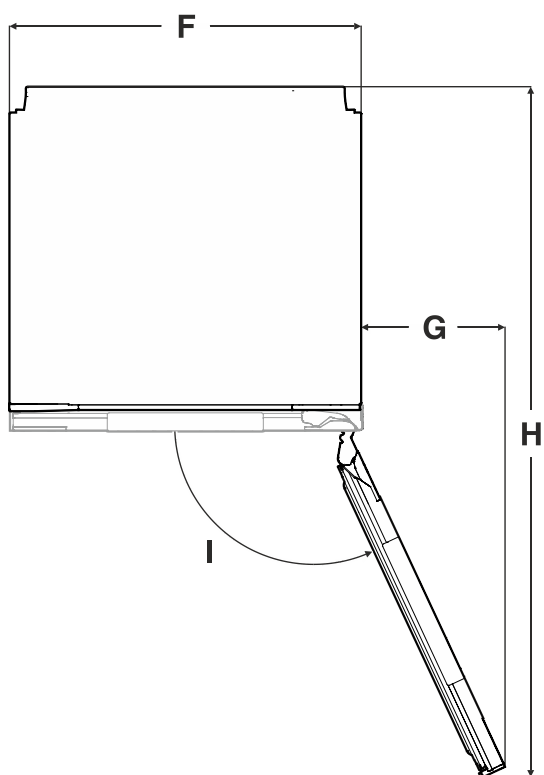
Side view



Front view



View from above



<b>A</b>	510 mm
<b>B</b>	EWT 16.. - 854 mm EWT 23.. - 1200 mm EWT 35.. - 1752 mm
<b>C</b>	553 mm
<b>D</b>	EWT 16.. - 872 mm EWT 23.. - 1218 mm EWT 35.. - 1770 mm
<b>E</b>	EWT 16.. - 853 mm EWT 23.. - 1199 mm EWT 35.. - 1751 mm
<b>F</b>	557 mm
<b>G</b>	228 mm
<b>H</b>	1100 mm
<b>I</b>	115°
<b>J</b>	546 mm

## Transporting the appliance

### ⚠ CAUTION

Danger of injury or damage as a result of incorrect transport!

- Transport the appliance in a packed condition.
- Transport the appliance upright.
- Do not transport the appliance without assistance.

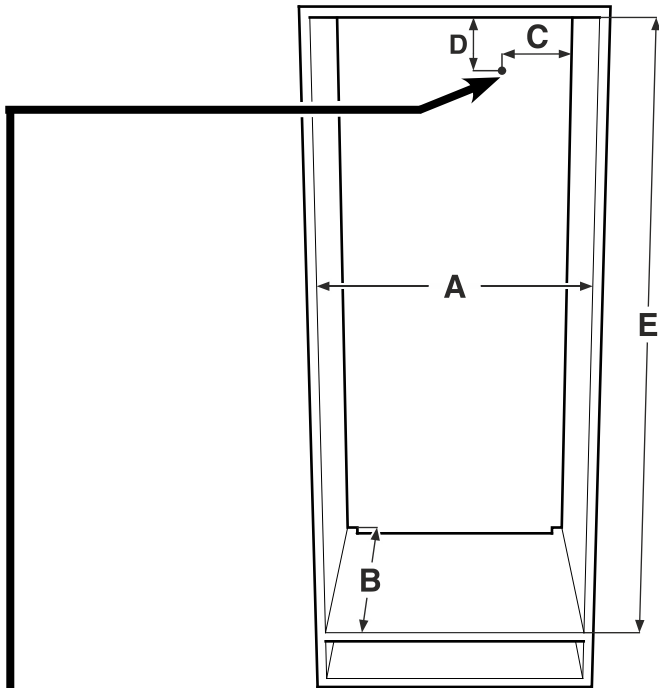
## Installation dimensions

### Important note

In order to avoid any problems when installing the appliance and to avoid damage to the appliance, the following conditions must be complied with.

**The kitchen unit must be aligned horizontally and vertically!**

**Minimum wall thickness of the body of the unit = 16 mm.**



<b>A</b>	560 mm - 570 mm
<b>B</b>	min. 550 mm
<b>C</b>	70 mm
<b>D</b>	30 mm
<b>E</b>	EWT 16.. - 874-890 mm EWT 23.. - 1220-1236 mm EWT 35.. - 1772-1788 mm

In this area, the power supply comes out of the appliance rear.

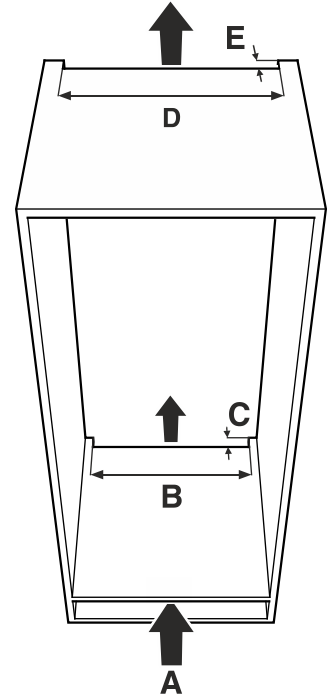
Free length of the power supply:

EWT 16..: 2000 mm  
EWT 23..: 2000 mm  
EWT 35..: 2800 mm

Choose the position of the socket considering these specifications.

The socket must not be situated behind the appliance and must be easily accessible.

## Appliance venting



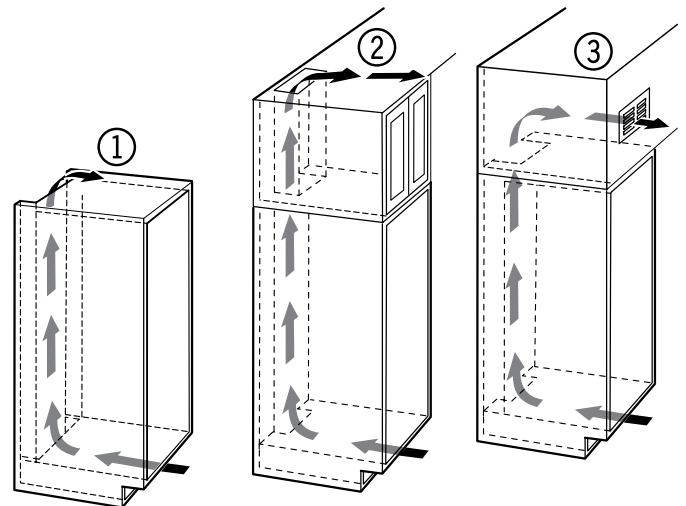
### Important note

**The clear ventilation cross-section must be at least 200 cm<sup>2</sup> from the lower ventilation opening right to the upper one.**

<b>A</b>	min. 200 cm <sup>2</sup>
<b>B</b>	min. 500 mm
<b>C</b>	40 mm
<b>D</b>	min. 500 mm
<b>E</b>	40 mm

### Types of air outlet

- ① Directly above the appliance
- ② Above the top unit
- ③ From the front of the top unit with decor grille



### Important note

**When using decor grilles, it must be taken into account that the clear ventilation cross-section corresponds to the sum of the individual openings in the grille.**

**A cut-out section of merely 200 cm<sup>2</sup> for installing the ventilation grille is thus not sufficient.**

## Changing over door hinges

Door hinges should only be changed by a trained expert.

Changing the door hinges must be done by two people.

### ⚠ WARNING!

**High door weight.**

**Danger of injury and damage to property.**

**Only complete the modification work if you can lift a weight of 20 kg.**

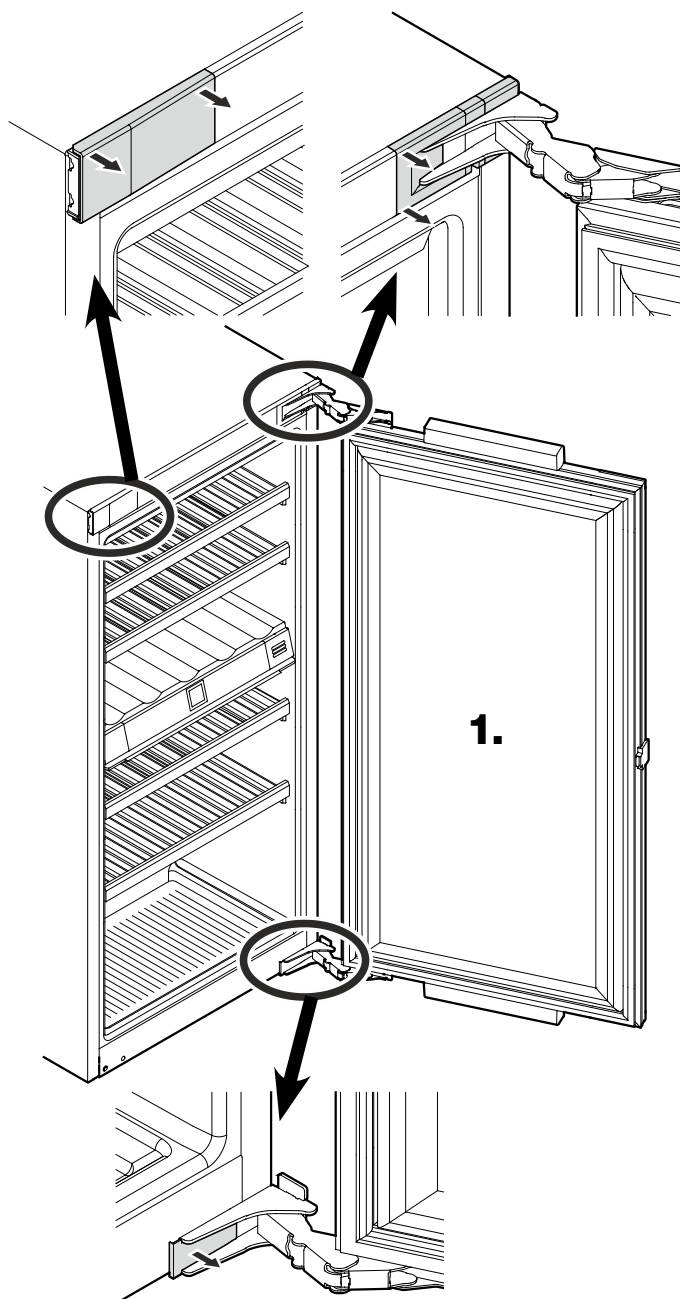
### ⚠ WARNING!

**Risk of injury due to the door dropping out!**

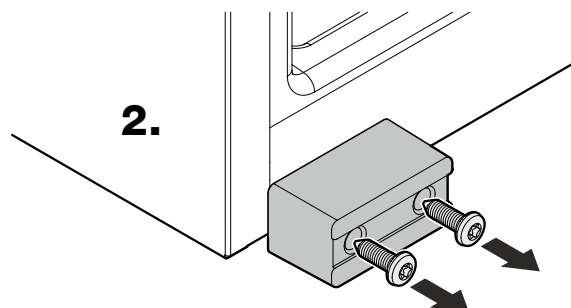
**If the fastening parts are not screwed into place firmly enough, the door may drop out.**

**This may lead to severe injuries. What is more, the door may not close and therefore the appliance may fail to cool properly.**

### 1. Remove covers.



### 2. Remove the transportation safety component.



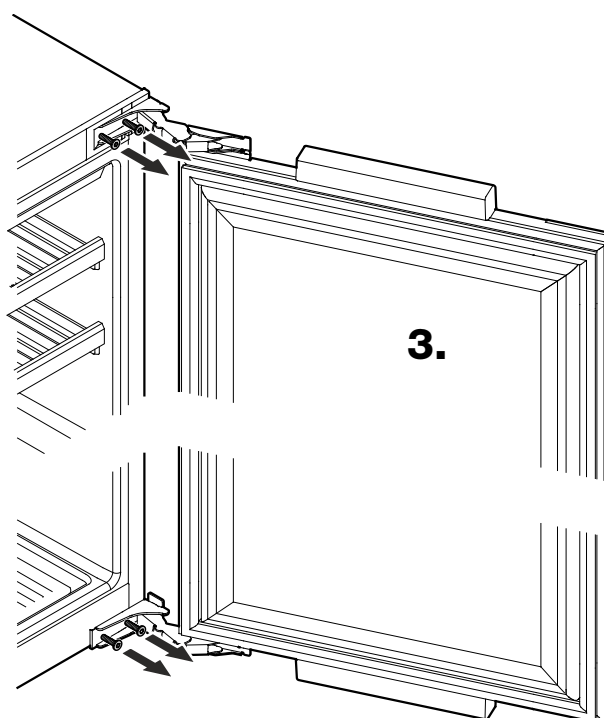
### 3. Remove the door.

The door must now be held secure by somebody.

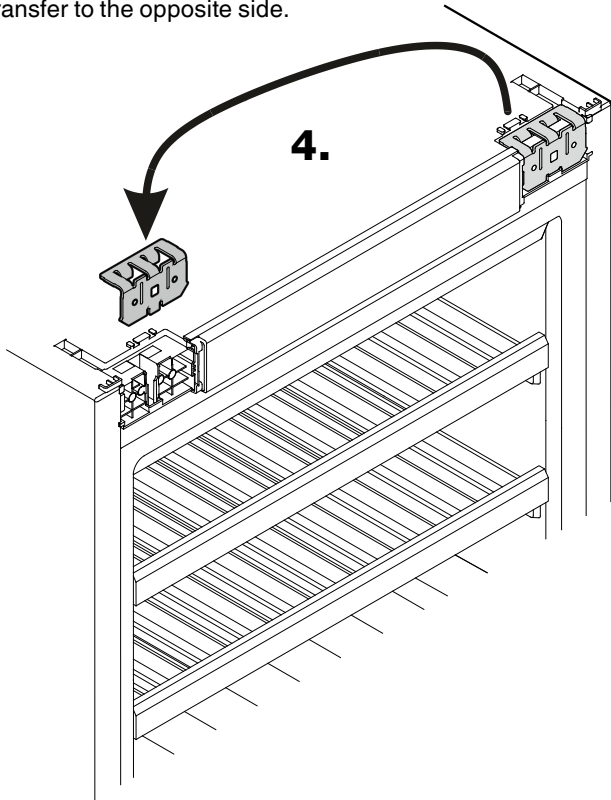
### ⚠ CAUTION

Risk of injury if hinges fold!

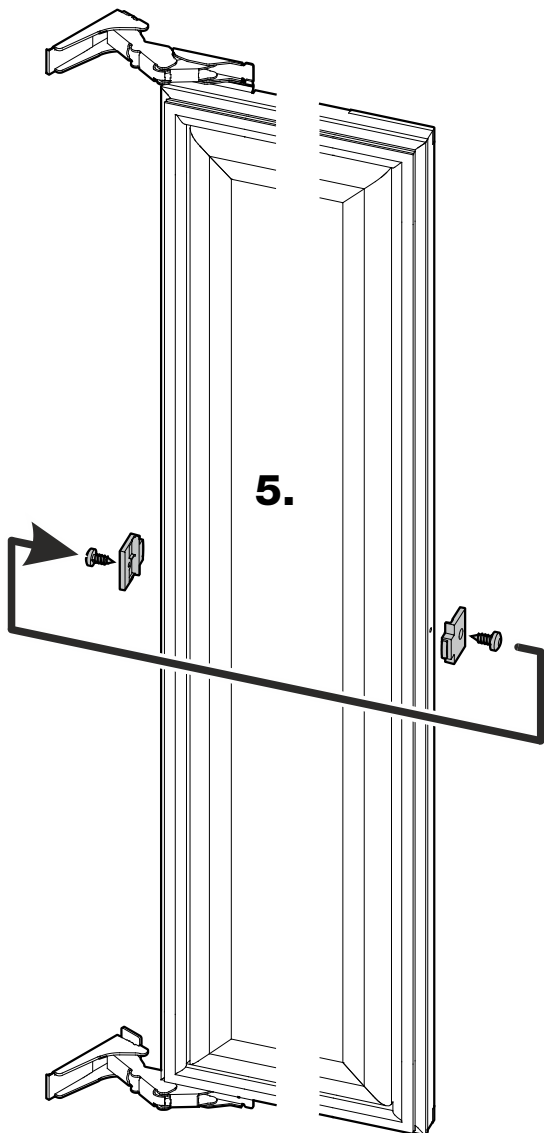
- Leave hinges open.



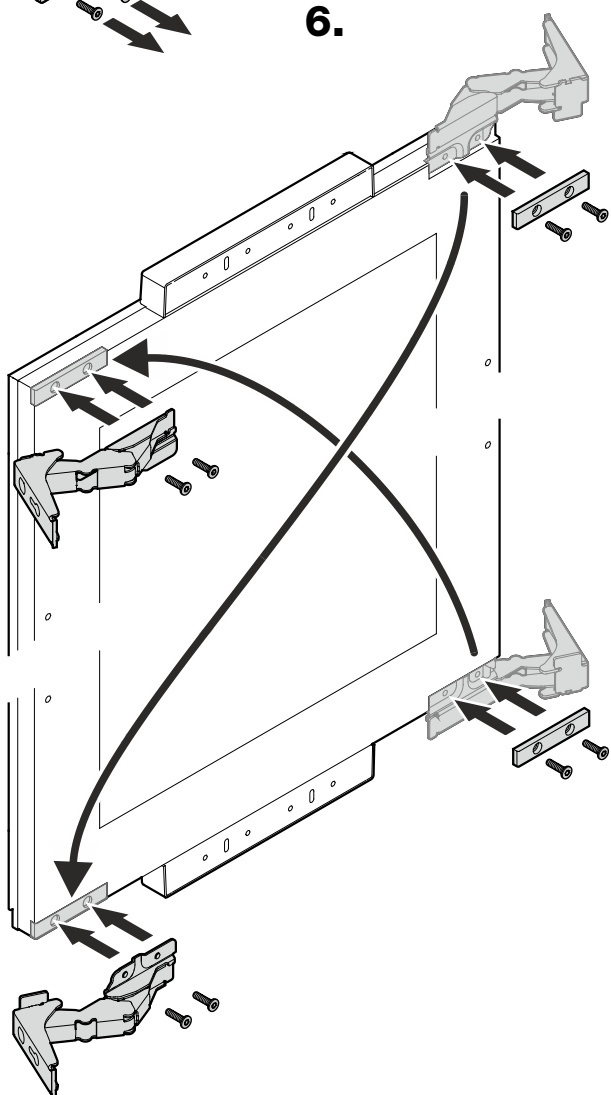
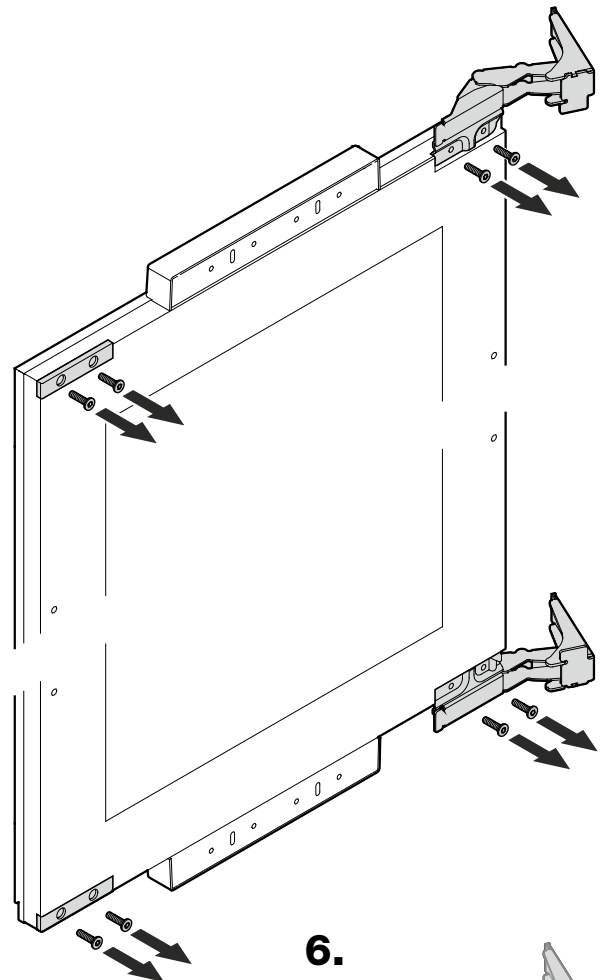
**4.** Remove the upper retaining bracket and transfer to the opposite side.



**5.** Transfer the stop to the opposite side.



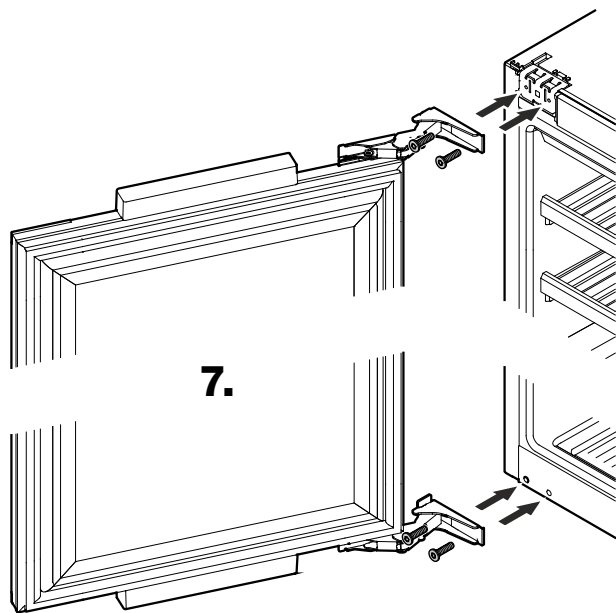
**6.** Unscrew hinges and covers and re-fit on the opposite side at diagonals to the original position.



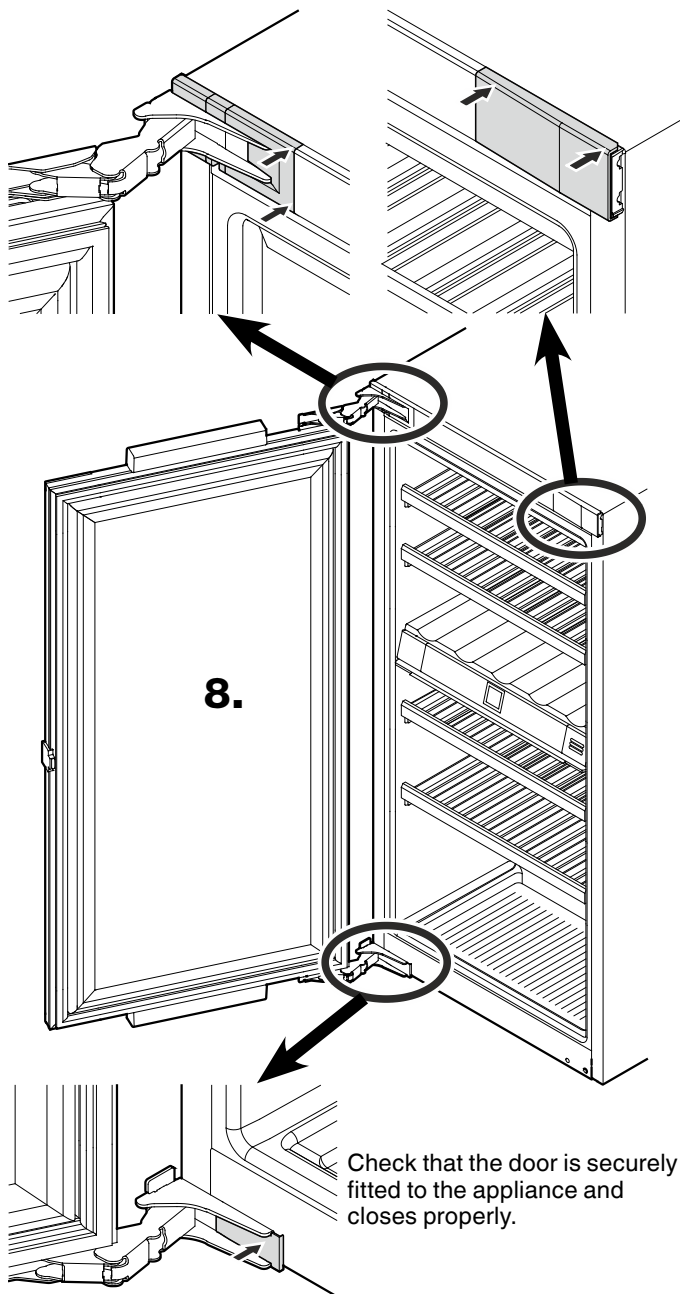
**7.** Fit the door on the appliance.

**Notice**

The door must now be held secure by somebody.



**8.** Fit covers and click into place.



## Installing the appliance

The installation work should only be carried out by trained personnel. Two people are required for the installation work.

### Note

Check the installation dimensions before installation. The intermediate panel and side wall of the kitchen unit must be perpendicular to each other.

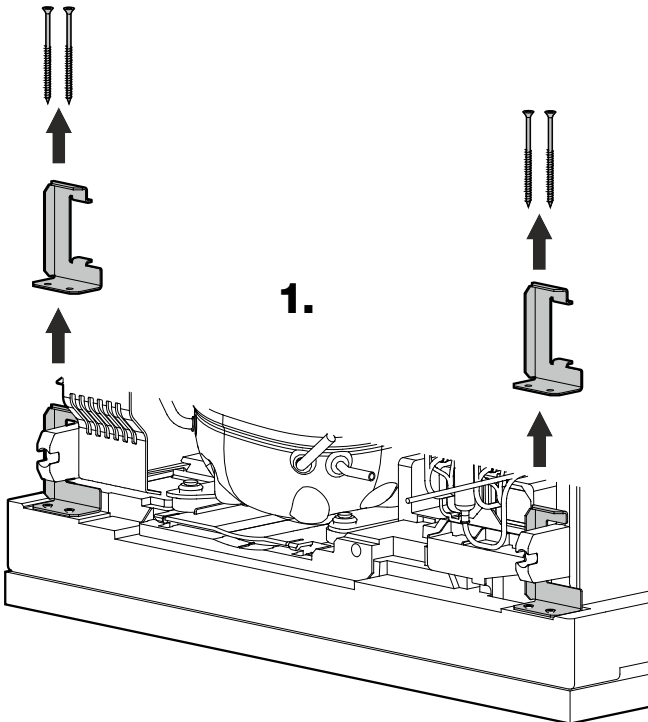
### WARNING!

#### Fire hazard due to dampness!

If live parts or the mains power cable become damp this may cause short circuits.

- The appliance is designed for use in enclosed areas. Do not operate the appliance outdoors or in areas where it is exposed to splash water or damp conditions.
- Only use the appliance when it is installed.

### 1. EWT 3553 - Remove the transportation safety component.



### 2. Route the mains cable towards the socket.

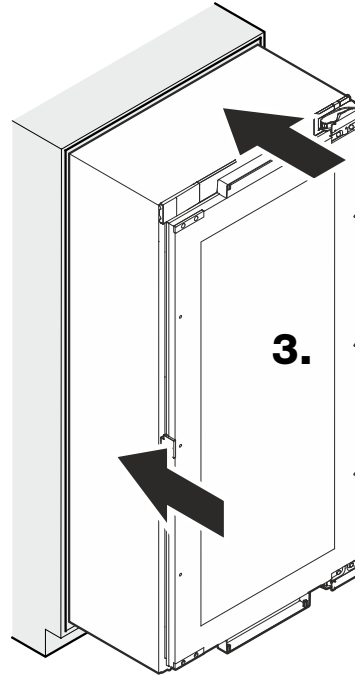


### WARNING!

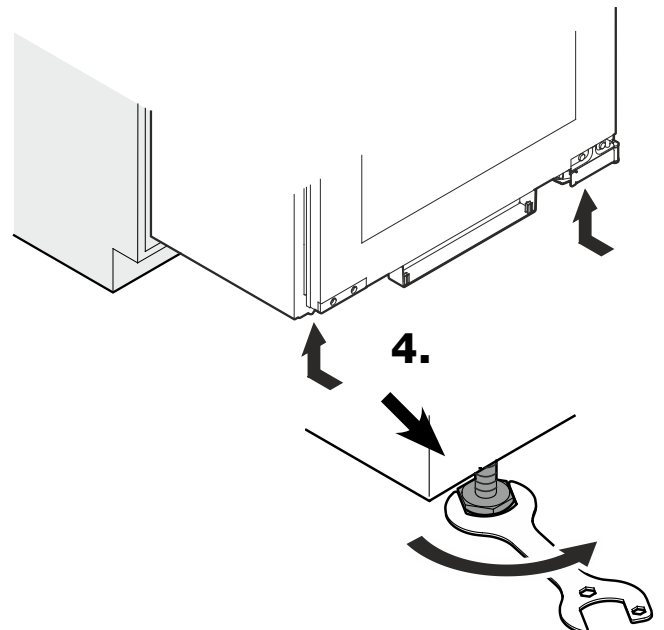
#### Fire hazard from short-circuiting!

- When pushing the appliance into the recess, take care not to crush, jam or damage the mains power cable.
- Do not operate the appliance with a defective mains power cable.

### 3. Slide the appliance two-thirds of the way into the kitchen unit. When sliding in the appliance, make sure that the mains cable is not damaged.

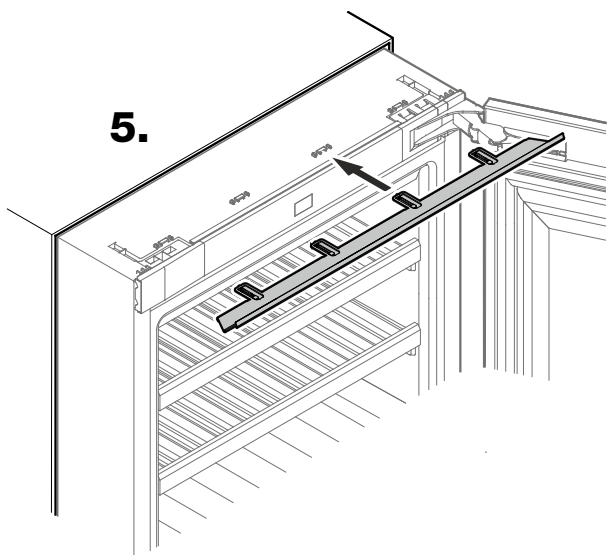


### 4. Screw in the adjustable feet as far as they will go.



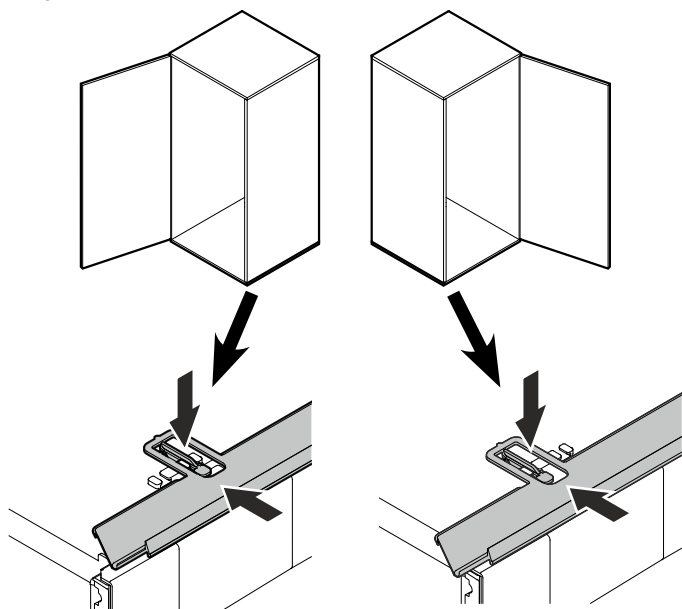


**5.** Fit cover profile.

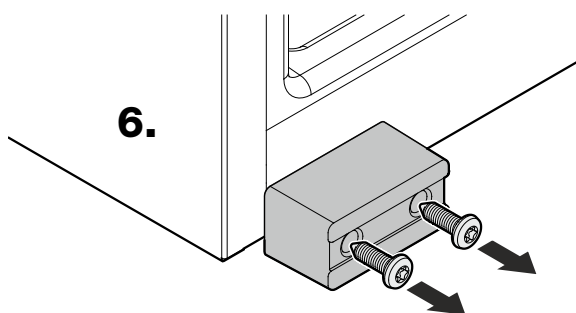


On appliances with hinges on the left.

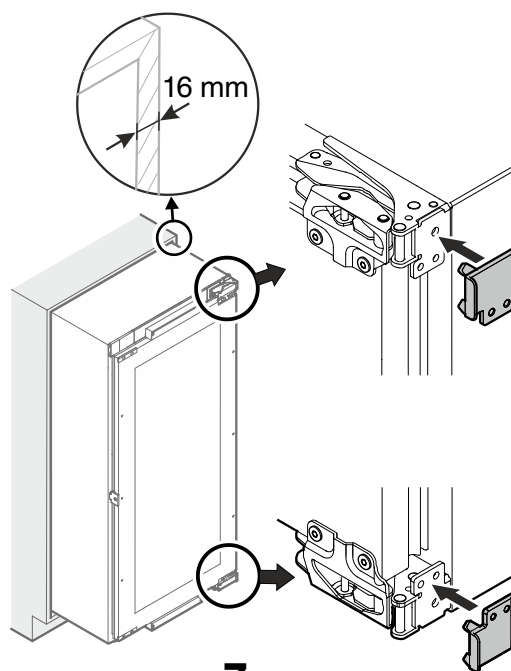
On appliances with hinges on the right.



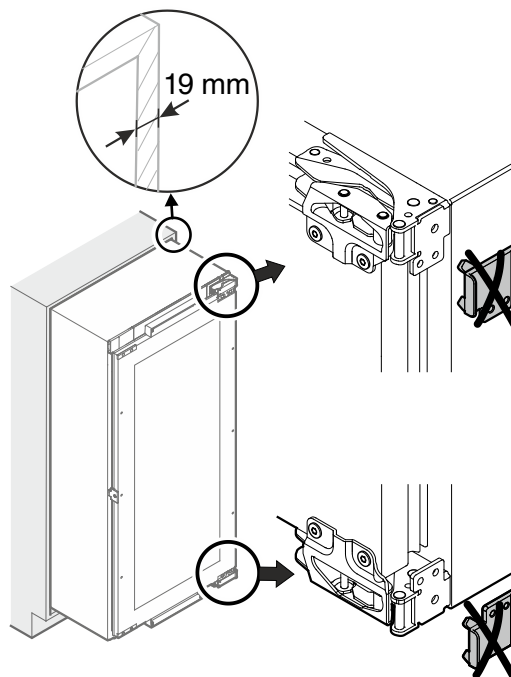
**6.** Remove the transportation safety component.



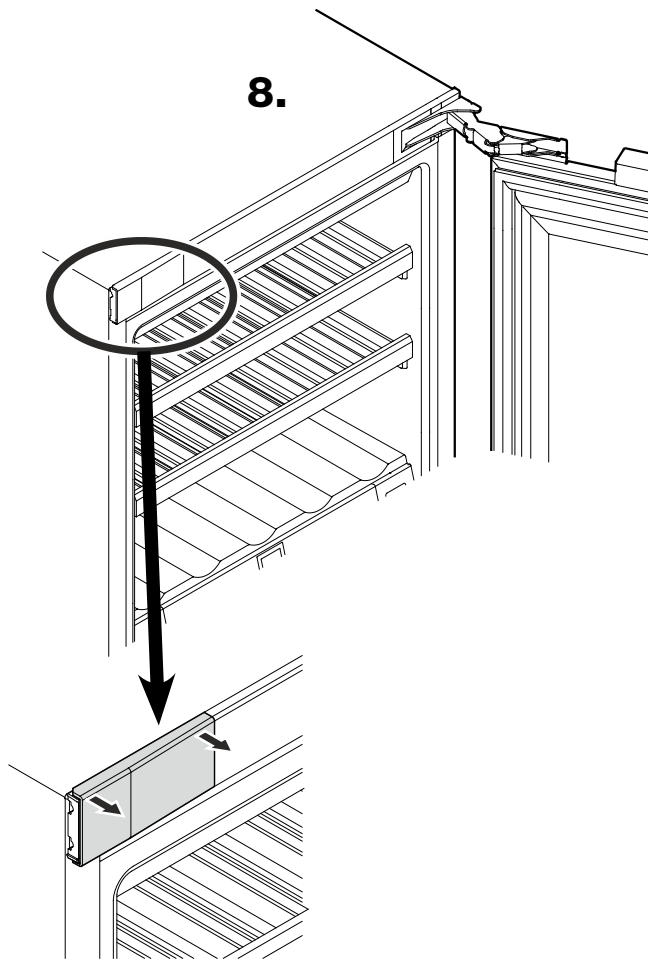
**7.** Only if the wall thickness is less than 19 mm: Fit the spacers.



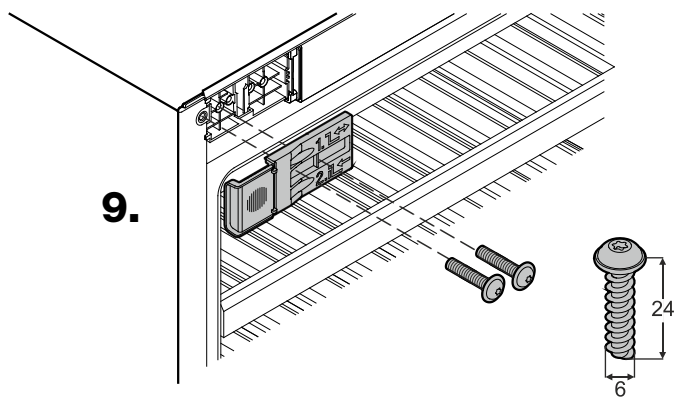
**7.**



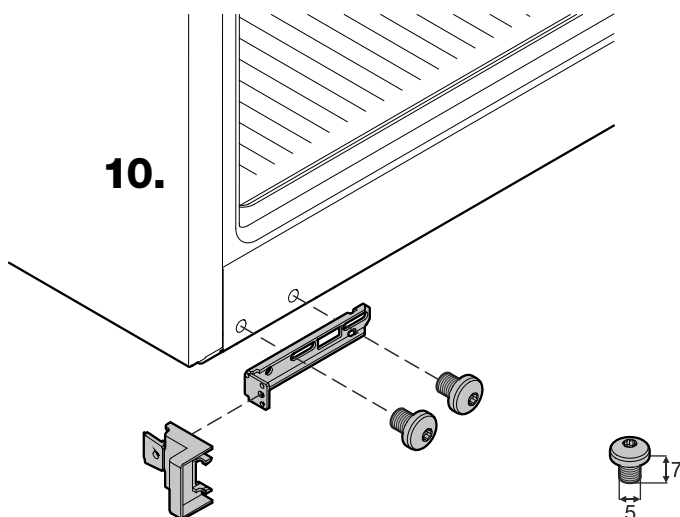
**8.** Remove cover.



**9.** Screw on the attachment bracket.

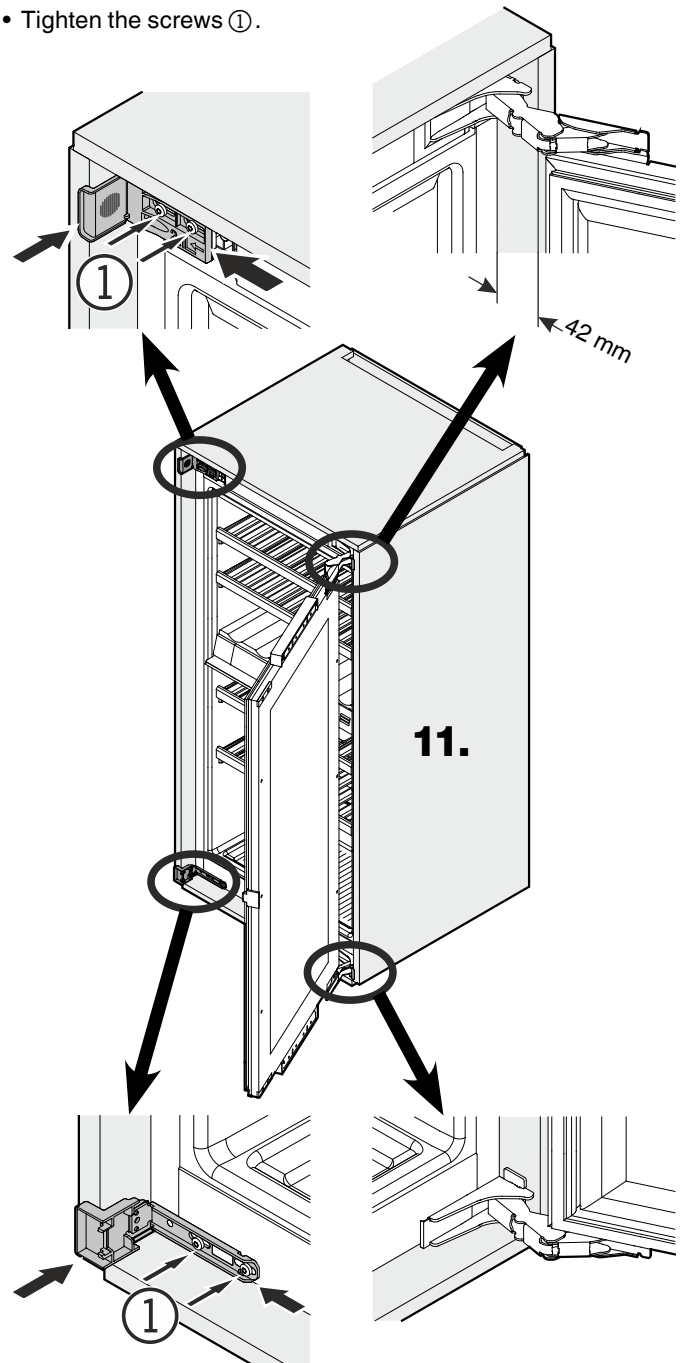


**10.** Screw on the attachment bracket.

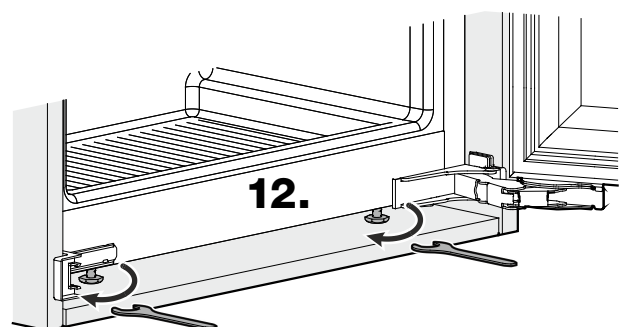


**11.** Slide the appliance fully into the recess. Check that the distance is identical all the way round.

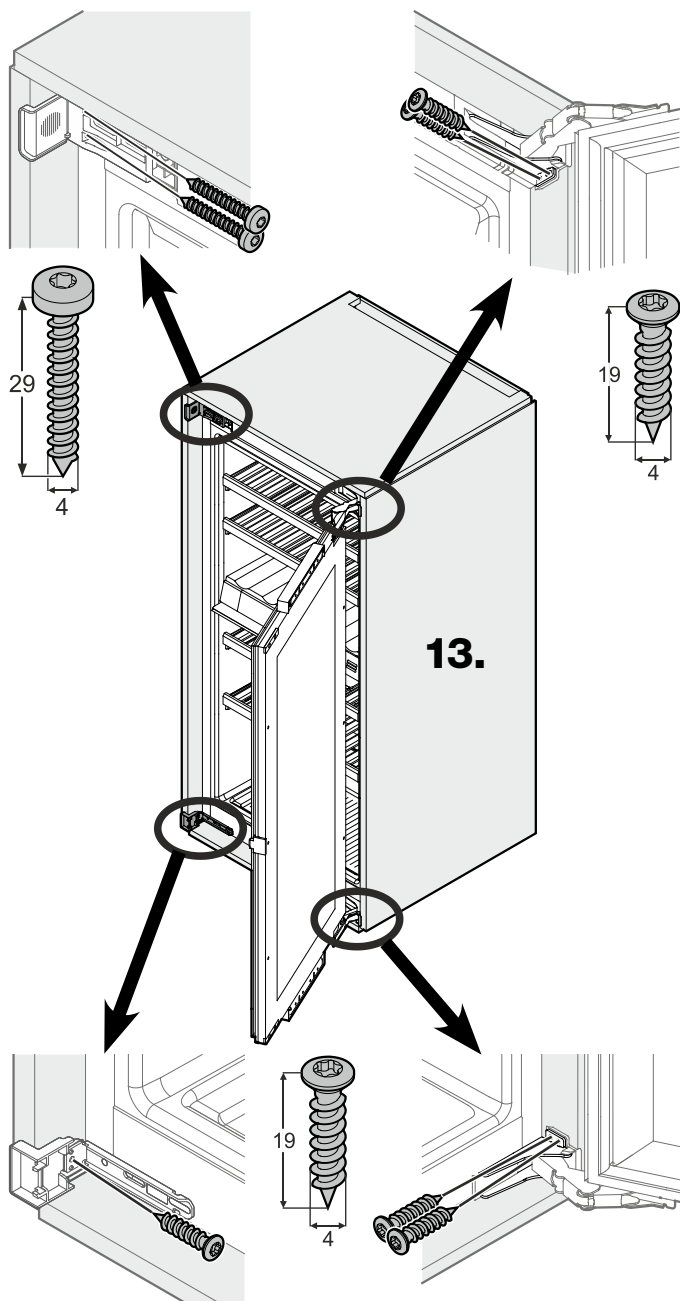
- Undo the screws ①.
- Slide bracket towards the unit wall.
- Tighten the screws ①.



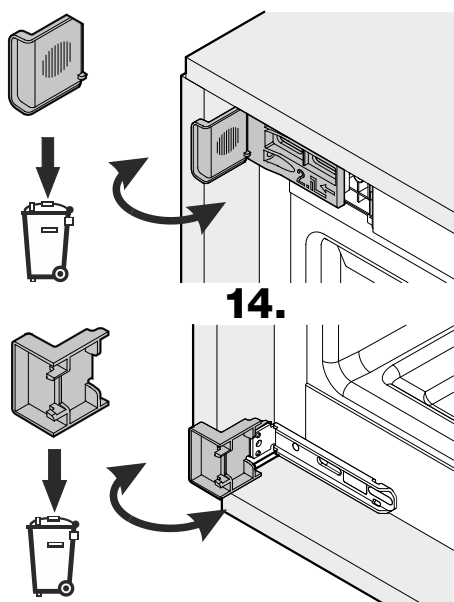
**12.** Adjust appliance via the adjustable feet.



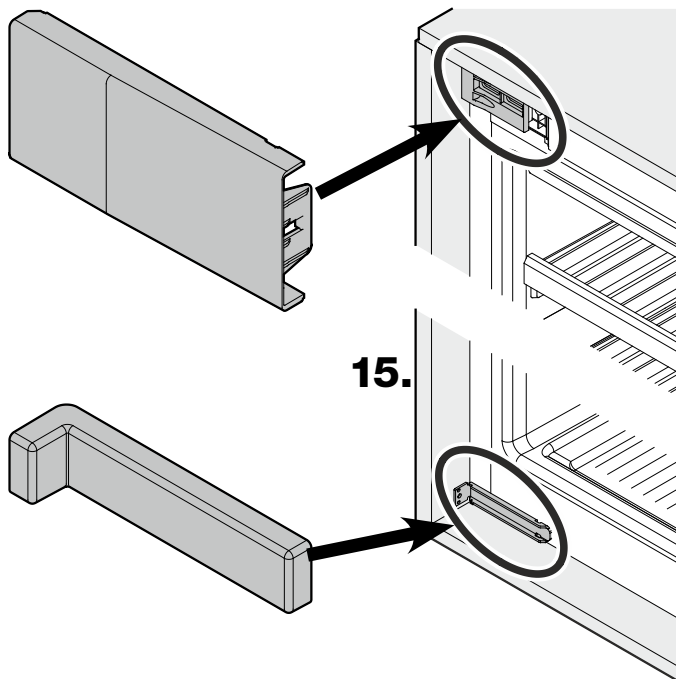
**13.** Secure the appliance to the kitchen unit using screws through the hinges and attachment brackets.



**14.** Snap off and remove the front part of the stop bracket.



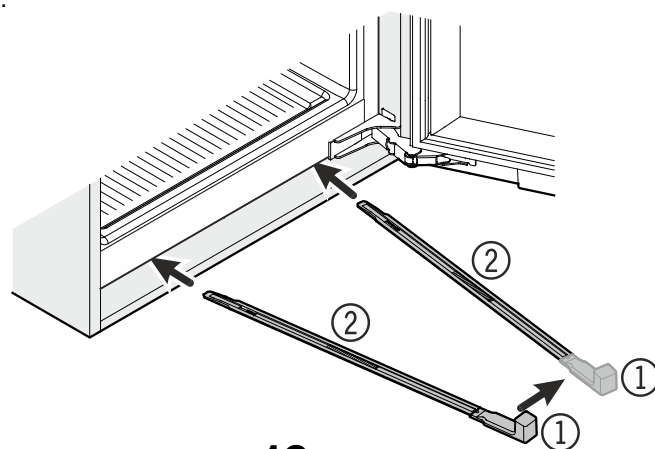
**15.** Fit the covers.



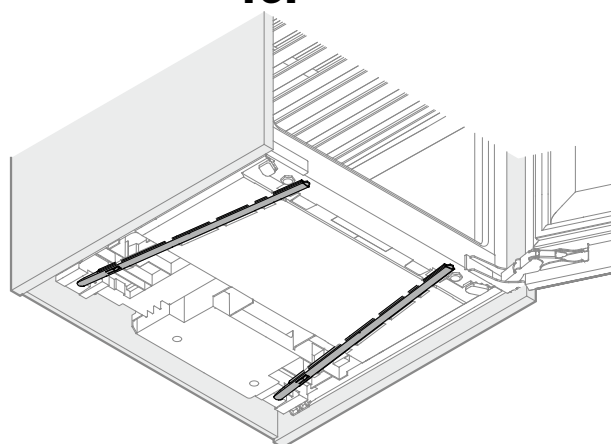
**16.** Stabilise the appliance at the back at the bottom:

Fit the handle ① to the stabilising rail ② and slide the stabilising rail into the floor of the appliance.

Remove the handle and repeat this procedure with the second stabilising rail.



**16.**



Check that the door is securely fitted to the appliance and closes properly.

**Installation is now complete.**