

Date:

Client:

Project:



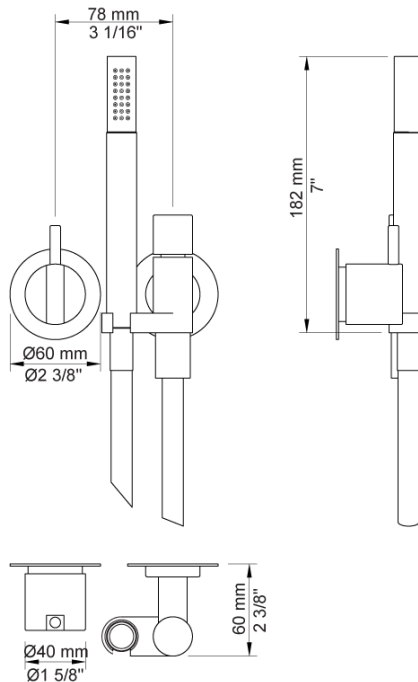
171

One-handle build-in mixer with ceramic disc technology. 171UP = Mixer 100.171AP = Handle NR28, hand shower and hand shower holder with non-return valve 070, hose 1500 mm, 60 mm circular flanges 3001, 001.

Flow

	Bar:	1.0	2.0	3.0	4.0	5.0
171 ¹⁾	(l/min)	5.2	7.4	9.0	9.0	9.0

¹⁾ USA: Flow restricted to 1.8 gpm (7.0 l/min)

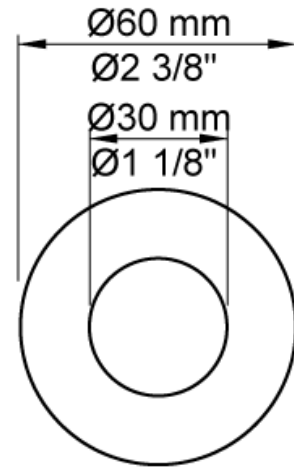


Available in colors

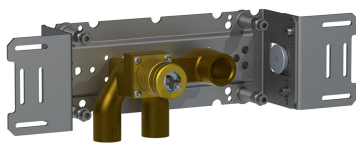
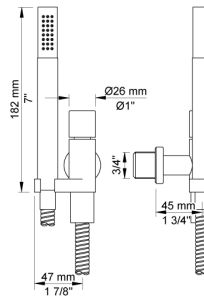
Color 02, Grey	Color 17, Gloss black
Color 04, Light blue	Color 18, White
Color 05, Orange	Color 19, Natural brass
Color 06, Light green	Color 20, Brushed chrome
Color 08, Yellow	Color 21, Carmine red
Color 09, Dark grey	Color 25, Pink
Color 12, Mocca	Color 27, Matt black
Color 14, Bright red	Color 28, Matt white
Color 15, Dark blue	Color 40, Brushed stainless steel
Color 16, Polished chrome	



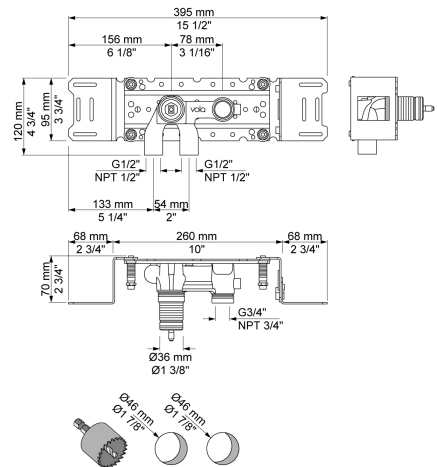
001
60 mm circular flange. Hole Ø30 mm.

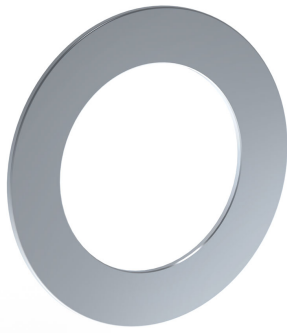


070
Hand shower, hand shower holder and hose with non-return valve.

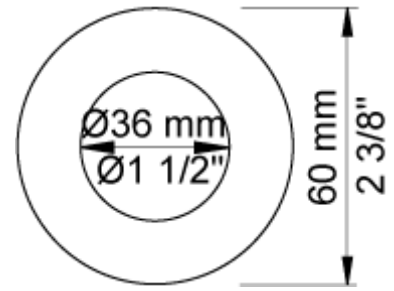


100
One-handle build-in mixer with fixed outlet socket. 1/2" connection to copper, steel, iron or pex pipe work.





3001
60 mm circular flange. Hole $\varnothing 36$ mm.



NR18
Operating handle for 100, 200, 300, 400 incl. variants. $\varnothing 40$ mm.

