

Date:

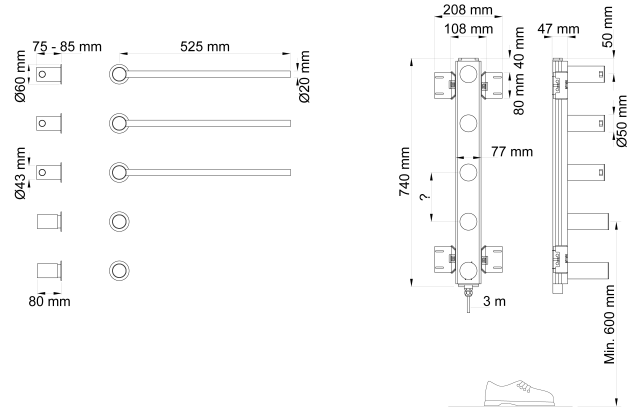
Client:

Project:



**T39ELUS**

Towel warmer – electric 120V.VOLA build-in modular heated towel rail for individual design solutions.A modular system of bars to be positioned according to customer requirements. Height between 500 and 2100 mm. Individual number of bars with centre distance between 100 and 300 mm.With step-less temperature regulation between 20 and 50 degrees C. (68oF - 122o).Self-closing timer setting after two hours at full power (50 degrees C) (122oF)Two handles, one for on/off, one for temperature regulation.Power consumption: 10W per bar. (34.1 BTU/hr).Supplied with 3 metres of Rodent proof cable.(for build-in part).Must be installed by a qualified electrician



**Available in colors**

Color 02, Grey	Color 17, Gloss black
Color 04, Light blue	Color 18, White
Color 05, Orange	Color 19, Natural brass
Color 06, Light green	Color 20, Brushed chrome
Color 08, Yellow	Color 21, Carmine red
Color 09, Dark grey	Color 25, Pink
Color 12, Mocca	Color 27, Matt black
Color 14, Bright red	Color 28, Matt white
Color 15, Dark blue	Color 40, Brushed stainless steel
Color 16, Polished chrome	