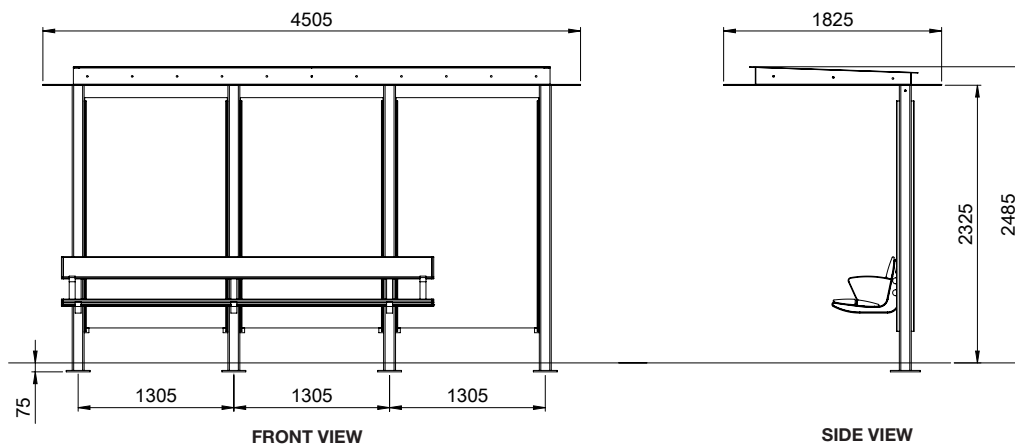


# STANDARD PRODUCT MILLENNIUM SHELTER



### Dimensions (mm):

Overall: 4505W x 1825D x 2485H  
 Internal: 3915W x 1500D x 2325H  
 Seat Length: 3100

### Finishes:

Powder Coated Aluminium Frame  
 Refer to Dulux colour range for options

### Features:

Toughened safety glass  
 Aluminium roof  
 Cantilever seat  
 LED lighting  
 Modular design  
 Concealed footings

### Optional extras:

Windbreaks  
 Seat arm-rests  
 Solar powered lighting

P: 1300 557 854  
 W: [stoddartinfrastucture.com.au](http://stoddartinfrastucture.com.au)  
 E: [info@stoddartinfrastucture.com.au](mailto:info@stoddartinfrastucture.com.au)

Copyright Stoddart Infrastructure. All rights reserved.