



Product Description:

The Metro range of outdoor bins

The Metro bin is a robust, vandal resistant unit. The Bin is manufactured from marine grade aluminium to match the contemporary styling of the Metro System. Vertical slats come in either FSC 100% hardwood timber or extruded aluminium with stainless steel fixings.

Features such as an integrated ashtray receptacle as well as a keyless latch system make it easy to use for the general public as well as anyone emptying it.

Should you require special modifications to suit your specification, please do not hesitate to contact us.

Models:

Code: SPTP.LB5.vv.xx.yy.zz

SPTP = Stoddart Product - Town and Park
LB5 = Metro Bin

vv T2 = Select Grade Hardwood Slats
T3 = FSC 100 % Hardwood Slats
A = Anodised Aluminium Slats

xx SP = Surface Post
SS = Sub Surface
SM = Surface Mount

yy 55 = 55 Litre bin
82 = 82 Litre bin

zz PC = Powder Coated

Options: ASH = Ash Tray
CL = Cover Lid
H = Hood
SL = Stainless Steel Lid

e.g.: for specification and ordering quote Town and Park model: SPTP.LB5.T3.SP.55.ASH

Construction:

- Marine grade aluminium cast legs
- 316 stainless steel fasteners
- Hardwood timber slats or extruded aluminium
- Timber coated with high quality timber oil or 25um clear anodised aluminium

Finishes:

- Powder Coated

Example Specification Text:

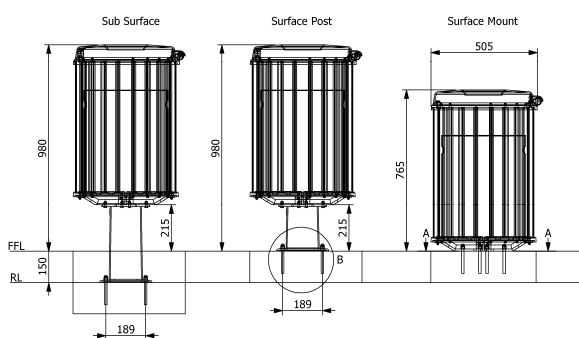
Model Code: SPTP.LB5.T3.SP.55

Town and Park Metro Litter Bin with FSC 100% hardwood slats coated with a high quality outdoor decking oil. The surface post mount and lid to be manufactured from marine grade aluminium casting.

Install Details:

All measurements in millimetres

Product: 82L



Product: 55L

