

# VCN Series

High pressure and powerful centrifugal inline exhaust fan.

IPX4  
Rated

Blauberg  
Motoren  
Motor

German  
Made

2  
Year

2 year  
replacement  
warranty

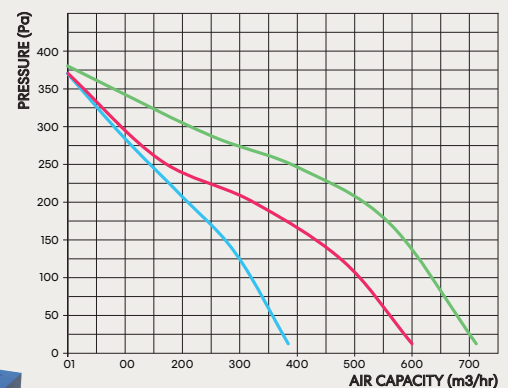
fanco

125: EWWUVCN2  
150: EWWUVCN3  
200: EWWUVCN4

This fan can be used with the  
ESVURS1 speed controller.

Larger models  
require hardwiring

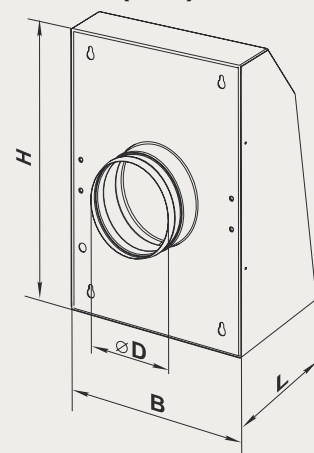
The unit is designed for  
mounting on an external  
wall. The bottom of the  
fan has a rodent proof  
guard. All motors also  
include thermal  
overheating protection.



MODEL COLOUR  
VCN 125   
VCN 150   
VCN 200

	125 High	150 High	200 High
Voltage	230	230	230
Current (A)	0.27	0.43	0.45
Power (w)	60	100	104
Noise Level dB(A)	54	58	62
Capacity (m <sup>3</sup> /hr)	390	600	710
Capacity (l/s)	108.42	166.8	197.38
Capacity (CFM)	229.71	353.4	418.19
Duct Size (mm)	125	150	200

## Dimensions (mm)



Model	125	150	200
H	124	149	200
D	260	300	340
B	355	400	354
L	138	138	276

Maximum temperature of transferred air 55°. The fan is designed for indoor application with the ambient temperature ranging from +1 °C up to +40 °C and relative humidity up to 80 %.